

Ex emergency pull-wire switches

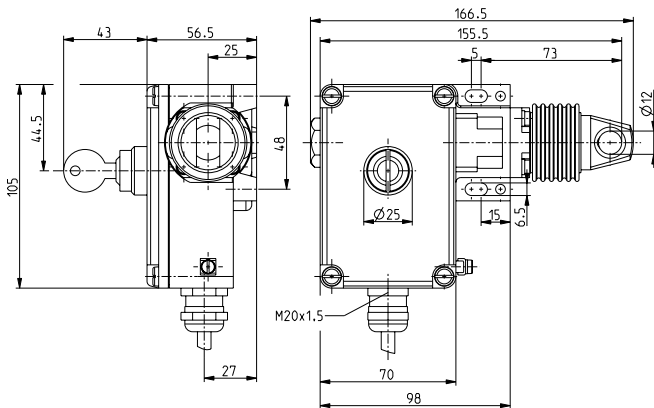
// Ex ZS 73 20 WVS / 195-275 N Order no.: 73542301

Features/Options

- Ex zone 1 and 21
- 2 contacts
- Wire length up to 30 m

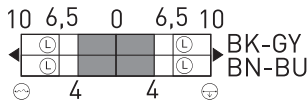
- Wire pull and breakage detection
- N.B.: Please state required approvals for Russia, China and Brazil with your order!

Dimensions



Switching diagram

Slow action
2 NC contacts



Technical data

Standards	EN 60947-5-1, -5; EN 60079-0, EN 60079-1, EN 60079-31; EN ISO 13849-1
Enclosure	aluminium die-cast, enamel finish
Cover	glass-fibre reinforced, shock-proof thermoplastic, ultramid
Switch insert	Ex 14
Degree of protection	IP 65 to IEC/EN 60529
Contact material	silver
Switching system	slow action, positive break NC contacts ⊖
Switching elements	2 NC contacts
Connection	cable H05VV-F, length 3m B_{10d} (10% Load) 200.000 T_M max. 20 years Cable section 4 x 0.75 mm ² (incl. conductor ferrules) U_{imp} 4 kV U_i 250 V I_{the} T6: 6 A, T5: 3 A Utilisation category AC-15, DC-13 I_e/U_e 6 A/250 VAC, 0.25 A/230 VDC Max. fuse rating 6 A gL/gG D-fuse Ambient temperature T6: -20 °C ... +65 °C; T5: -20 °C ... +95 °C Mechanical life > 100.000 operations Max. wire length 30 m Features wire pull and breakage function Ex certification Ⓢ II 2G Ex d IIC T6/T5 Gb, Ⓢ II 2D Ex tb IIIC T80°C/T95°C Db IP65 IECEx Ex d IIC T6/T5 Gb, Ex tb IIIC T80°C/T95°C Db Approvals PTB 11 ATEX 1003 X, IECEx PTB 06.0034 X



Errors and omissions excepted.