

## Emergency pull-wire switch

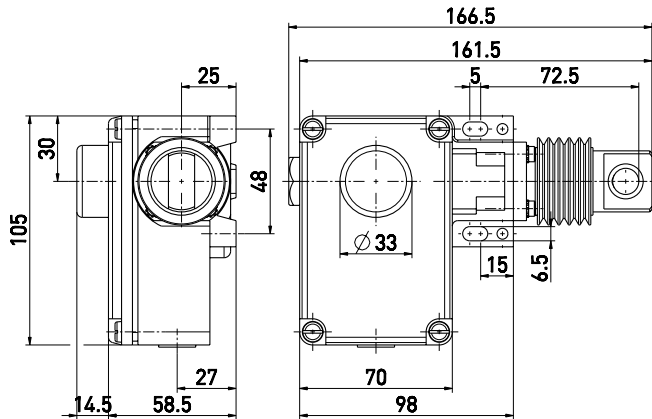
// ZS 73 20 WVD / 80-100 N Niro Order no.: 73542925

### Features/Options

- Metal enclosure
- 2 contacts
- Wire length up to 10 m
- Adjustable actuating force: 80-100 N for max. 10 m

- Release by push button
- Wire pull and breakage function
- Watertight collar W to protect against the entry of foreign bodies
- Pull-wire unit and screws made of stainless steel 1.4305, hard-coated housing

### Dimensions

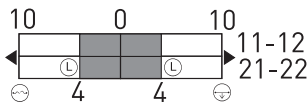


### Technical data

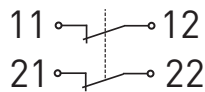
<b>Standards</b>	EN ISO 13849-1; IEC/EN 60947-5-1; IEC/EN 60947-5-5; EN 418
<b>Enclosure</b>	aluminium die-cast, hard-coated and enamelled
<b>Cover</b>	glass-fibre reinforced, shock-proof thermoplastic, ultramid
<b>Degree of protection</b>	IP 65 to IEC/EN 60529
<b>Contact material</b>	silver
<b>Switching elements</b>	2 NC contacts with double break
<b>Switching system</b>	snap action, positive break NC contacts ⊖
<b>Connection</b>	screw terminals
<b>Cable section</b>	max. 2.5 mm <sup>2</sup> (incl. conductor ferrules)
<b>Cable entry</b>	1 x M16 x 1.5
<b>B<sub>10d</sub> (10% Load)</b>	200.000
<b>T<sub>M</sub></b>	max. 20 years
<b>U<sub>imp</sub></b>	6 kV
<b>U<sub>i</sub></b>	400 V
<b>I<sub>the</sub></b>	6 A
<b>Utilisation category</b>	AC-15
<b>I<sub>e</sub>/U<sub>e</sub></b>	6 A/400 VAC
<b>Max. fuse rating</b>	6 A gL/gG D-fuse
<b>Ambient temperature</b>	-25 °C ... +70 °C
<b>Mech. life</b>	> 100.000 operations
<b>Max. wire length</b>	10 m
<b>Features</b>	wire pull and breakage function
<b>Approvals</b>	

### Switching diagram

Snap action  
2 NC contacts



### Contact diagram



Errors and omissions excepted.