

## Emergency pull-wire switch

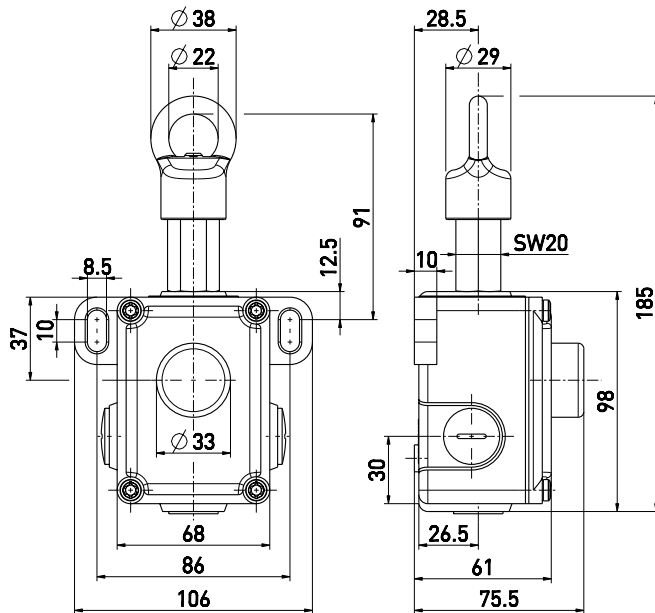
// ZS 441 10/1S VD / 220 N Order no.: 74141501

### Features/Options

- Metal enclosure
- 2 contacts
- Wire length up to 25 m

- Spring force variant (actuating force): 220 N for 15-25 m
- Release by push button
- Wire pull and breakage function

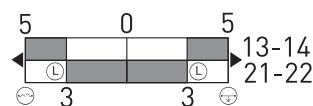
### Dimensions



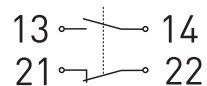
### Switching diagram

#### Snap action


1 NC/1 NO contact



### Contact diagram



### Technical data

Standards	EN ISO 13849-1; IEC/EN 60947-5-1; IEC/EN 60947-5-5; EN 418
Enclosure	aluminium die-cast, powder-coated
Cover	aluminium die-cast, powder-coated
Degree of protection	IP 65 to IEC/EN 60529
Contact material	silver
Switching elements	change-over contact with double break
Switching system	snap action, positive break NC contact ⊖
Connection	screw terminals
Cable section	max. 2.5 mm <sup>2</sup> (incl. conductor ferrules)
Cable entry	3 x M20 x 1.5
B <sub>10d</sub> (10% Load)	200.000
T <sub>M</sub>	max. 20 years
U <sub>imp</sub>	6 kV
U <sub>i</sub>	400 V
I <sub>the</sub>	6 A
Utilisation category	AC-15
I <sub>e</sub> /U <sub>e</sub>	6 A/400 VAC
Max. fuse rating	6 A gL/gG D-fuse
Ambient temperature	-25 °C ... +70 °C
Mech. life	> 100.000 operations
Max. wire length	25 m
Features	wire pull and breakage function
Approvals	
Weight	600g

Errors and omissions excepted.