

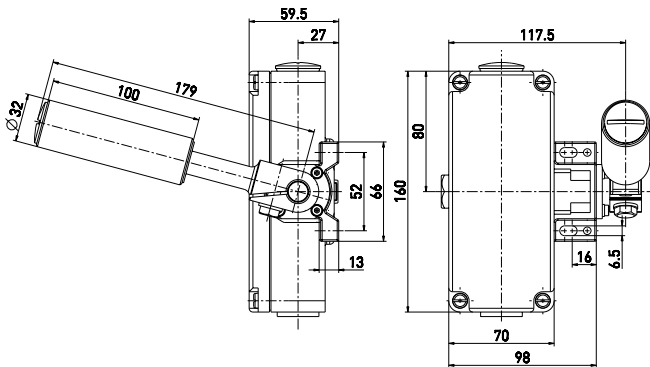
## Belt-alignment switch

// ZS 75 SR 20/2S Order no.: 75431002

### Features/Options

- Metal enclosure
- 4 contacts
- Belt-alignment roller stainless steel 1.4104
- without mechanical latching

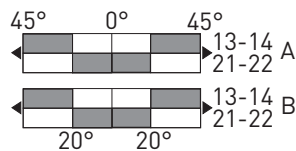
### Dimensions



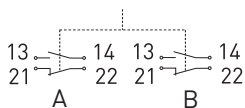
### Switching diagram

#### Snap action


2 NC/2 NO contacts  
without latching



### Contact diagram



### Technical data

Standards	IEC/EN 60947-5-1; EN ISO 13849-1
Enclosure	aluminium die-cast, enamel finish
Cover	aluminium die-cast, enamel finish
Degree of protection	IP 65 to IEC/EN 60529
Contact material	silver
Switching elements	2 NC/2 NO contacts with double break
Switching system	snap action, positive break
Connection	NC contacts ⊖
Cable section	screw terminals
	max. 2.5 mm <sup>2</sup>
	(incl. conductor ferrules)
Cable entry	2 x M25 x 1.5
B <sub>10d</sub> (10% Load)	2 million
T <sub>M</sub>	max. 20 years
U <sub>imp</sub>	6 kV
U <sub>i</sub>	400 V
I <sub>the</sub>	6 A
Utilisation category	AC-15
I <sub>e</sub> /U <sub>e</sub>	6 A/400 VAC
Max. fuse rating	6 A gL/gG D-fuse
Ambient temperature	-25 °C ... +70 °C
Mech. life	> 1 million operations
Approvals	
Weight	1200g

Errors and omissions excepted.