

Belt-alignment switch

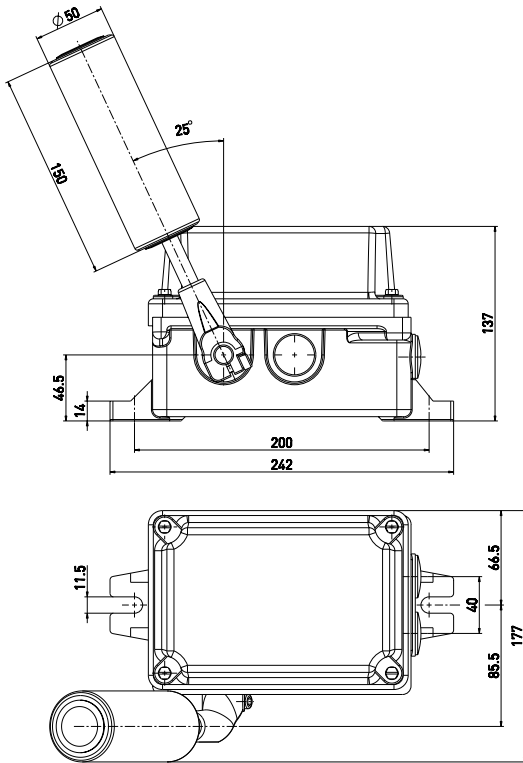
// ZS 90 SR 1ÖS/1ÖS Order no.: 76431001

Features/Options

- Thermoplastic enclosure
- 4 contacts with contact staggering
- 1 NC and 1 NO contact switching at 15°, 1 NC and 1 NO contact switching at 25°

- Belt-alignment lever continuously adjustable
- Without mechanical latching

Dimensions



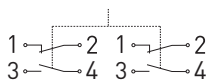
Technical data

Standards	IEC/EN 60947-5-1; IEC/EN 60947-5-5; EN ISO 13849-1
Enclosure	Duroplast
Cover	Duroplast
Degree of protection	IP 67 to IEC/EN 60529
Contact material	silver
Switching elements	2 NC/2 NO contacts with double break
Switching system	snap action, positive break NC contacts ⊖
Connection	screw terminals
Cable section	max. 2.5 mm ² (incl. conductor ferrules)
Cable entry	2 x M25 x 1.5
B _{10d} (10% Load)	1 million
T _M	max. 20 years
U _{imp}	4 kV
U _i	400 V
I _{the}	10 A
Utilisation category	AC-15
I _e /U _e	1 A/230 VAC
Max. fuse rating	6 A gG D fuse
Ambient temperature	-40 °C ... +85 °C
Mech. life	> 500.000 operations
Light resistance EN 50014	ISO 4892

Switching diagram

Snap action

1 NC/1 NO / 1 NC/1 NO



Errors and omissions excepted.