

Ex belt-alignment switches

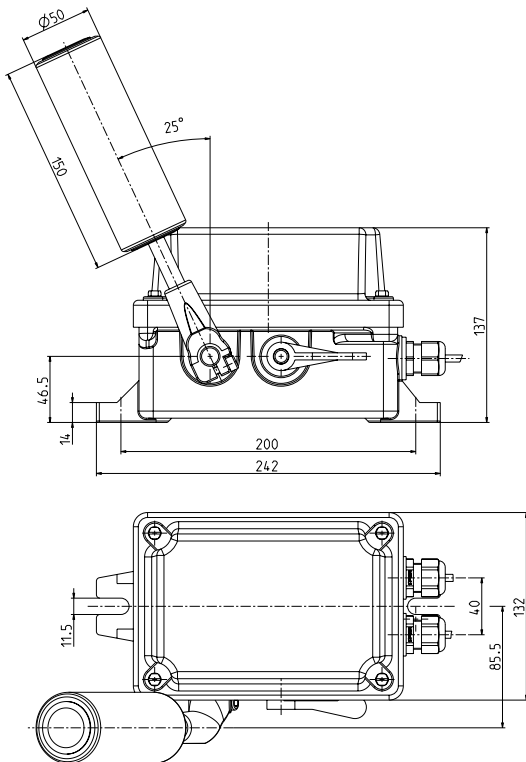
// Ex ZS 90 SR 2 NC/2 NO Order no.: 76431301

Features/Options

- Ex zone 1 and 21
- Thermoplastic enclosure
- 2 NC and 2 NO contacts
- With contact staggering:
 - 1 NC and 1 NO contact switching at 15°
 - 1 NC and 1 NO contact switching at 25°

- Release by lever possible
- Belt-alignment lever continuously adjustable
- N.B.: Please state required approvals for Russia, China and Brazil with your order!

Dimensions



Technical data

Standards	EN 60947-5-1; EN 1088; EN 60079-0, EN 60079-1, EN 60079-31; EN ISO 13849-1
Enclosure	Duroplast
Cover	Duroplast
Switch insert	Ex 14
Degree of protection	IP 65 to IEC/EN 60529
Contact material	silver
Switching system	slow action, positive break NC contacts ⊖
Switching elements	2 NO/2 NC contacts with double break
Connection	cable H05VV-F, length 3 m
Cable entry	2 x M25 x 1.5
B_{10d} (10% load)	2 million
T_M	max. 20 years
U_{imp}	4 kV
U_i	250 V
I_{the}	T6: 6 A; T5: 3 A
Utilisation category	AC-15, DC-13
I_e/U_e	6 A/250 VAC; 0,25 A/230 VAC
Max. fuse rating	6 A gG D-fuse
Ambient temperature	T6: -20 °C ... +65 °C; T5: -20 °C ... +95 °C
Mechanical life	> 1 million operations
Ex marking	⊕ II 2G Ex d IIC T6/T5 Gb, ⊕ II 2D Ex tb IIIC T80°C/T95°C Db IECEX Ex d IIC T6/T5 Gb, Ex tb IIIC T80°C/T95°C Db
Approvals	PTB 03 ATEX 1070 X (referring to the switch insert), IECEX PTB 06.0098 X



Errors and omissions excepted.