

Ex foot switches

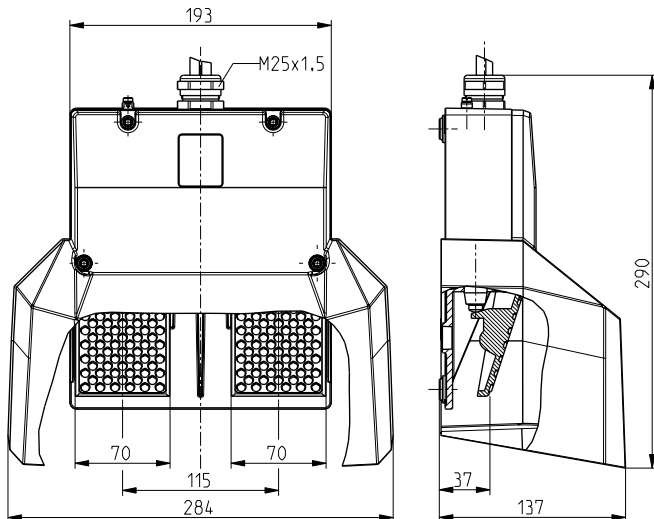
// Ex GFS 2 1ÖS/1ÖS Order no.: 82205201

Features/Options

- Ex zone 1 and 21
- Metal enclosure
- With protective shield

- Low pedal height
- With pre-wired cable, cable length 3 metres
- N.B.: Please state required approvals for Russia, China and Brazil with your order!

Dimensions



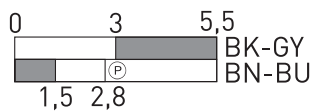
Technical data

Standards	EN 60947-5-1; EN 1088; EN 60079-0; EN 60079-1; EN 60079-31; EN ISO 13849-1
Enclosure	aluminium die casting, enamel finish, RAL 5011
Pedal	glass-fibre reinforced thermoplastic
Protective shield	aluminium die casting, enamel finish, RAL 5011
Connection	cable 2 x H05VV-F, 4 x 0.75 mm ²
Cable length	3 m
Contact material	silver
Degree of protection	IP 65 to IEC/EN 60529
Switching system	slow action with double break, positive break NC contact ⊖
Switch insert	1 x Ex 14 per pedal
B_{10d} (10% Load)	2 million
T_M	max. 20 years
Utilisation category	AC-15; DC-13
I_e/U_e	6 A/250 VAC; 0.25 A/230 VDC
Max. fuse rating	6 A gL/gG D-fuse
Ambient temperature	T6: -20 °C ... +65 °C, T5: -20 °C ... +95 °C
Mechanical life	> 1 million operations
Ex marking	⊕ II 2G Ex d IIC T6/T5 Gb, ⊕ II 2D Ex tb IIIC T80°C/T95°C Db IP65; IECEx Ex d IIC T6/T5 Gb, Ex tb IIIC T80°C/T95°C Db IP65 PTB 11 ATEX 1002 X; IECEx PTB 06.0098 X* *referring to the switch insert
Approvals	

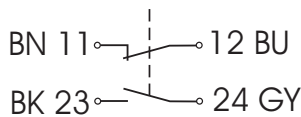
Switching diagram

Slow action

1 NC/1 NO contact per pedal



Contact diagram



Errors and omissions excepted.