

## Ex foot switches

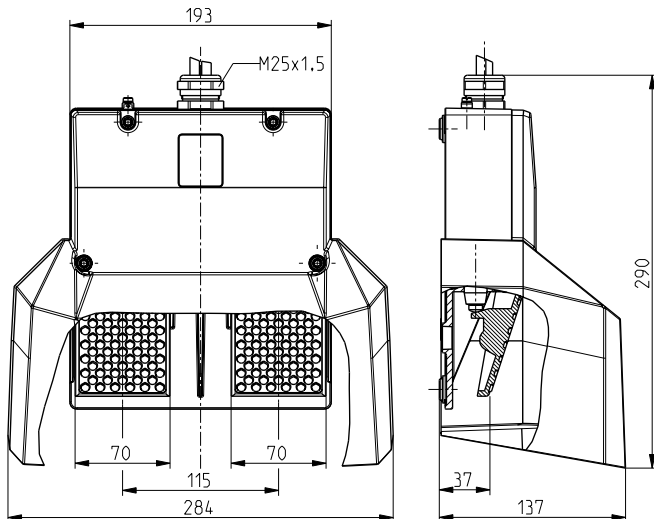
// Ex GFSM 2 Order no.: 82206201

### Features/Options

- Ex zone 1 and 21
- Metal enclosure
- With protective shield

- Low pedal height
- With pre-wired cable, cable length 3 metres
- N.B.: Please state required approvals for Russia and China with your order!

### Dimensions



### Technical data

<b>Standards</b>	EN 60947-5-1; EN 1088; EN 60079-0; EN 60079-1; EN 60079-31; EN ISO 13849-1
<b>Enclosure</b>	aluminium die casting, enamel finish, RAL 5011
<b>Pedal</b>	glass-fibre reinforced thermoplastic
<b>Protective shield</b>	aluminium die casting, enamel finish, RAL 5011
<b>Connection</b>	cable 2 x H05VV-F, 3 x 0.75 mm <sup>2</sup>
<b>Cable length</b>	3 m
<b>Contact material</b>	silver
<b>Degree of protection</b>	IP 65 to IEC/EN 60529
<b>Switching system</b>	snap action with single break
<b>Switch insert</b>	1 x ExM 14 per pedal
<b>Utilisation category</b>	AC-15; DC-13
<b>I<sub>e</sub>/U<sub>e</sub></b>	5 A/250 VAC; 0.25 A/230 VDC
<b>Max. fuse rating</b>	5 A gL/gG D-fuse
<b>Ambient temperature</b>	T6: -20 °C ... +65 °C, T5: -20 °C ... +95 °C
<b>Mechanical life</b>	> 1 million operations
<b>Ex marking</b>	⊕ II 2G Ex d IIC T6/T5 Gb, ⊕ II 2D Ex tb IIIC T80°C/T95°C Db IP65; IECEx Ex d IIC T6/T5 Gb, Ex tb IIIC T80°C/T95°C Db IP65
<b>Approvals</b>	PTB 11 ATEX 1002 X; IECEx in 2011

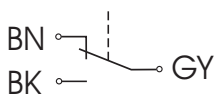
### Switching diagram

#### Snap action

1 change-over contact per pedal



### Contact diagram



Errors and omissions excepted.