

Ex foot switches

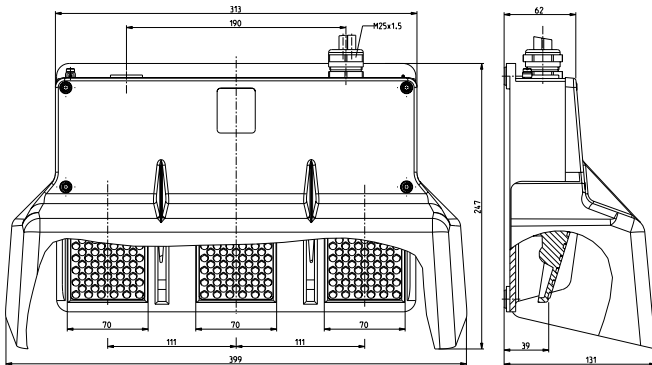
// Ex GFS 3 1ÖS/1ÖS/1ÖS Order no.: 83209201

Features/Options

- Ex zone 1 and 21
- Metal enclosure
- With protective shield

- Low pedal height
- With pre-wired cable, cable length 3 metres
- N.B.: Please state required approvals for Russia, China and Brazil with your order!

Dimensions



Technical data

Standards

EN 60947-5-1; EN 1088;
EN 60079-0; EN 60079-1;
EN 60079-31; EN ISO 13849-1

Enclosure

aluminium cast, enamel finish,
RAL 5011

Pedal

glass-fibre reinforced
thermoplastic

Protective shield

aluminium cast, enamel finish,
RAL 5011

Connection

cable 3 x H05VV-F, 4 x 0.75 mm²

Cable length

3 m

Contact material

silver

Degree of protection

IP 65 to IEC/EN 60529

Switching system

slow action with double break,

positive break NC contact \ominus

Switch insert

1 x Ex 14 per pedal

B_{10d} (10% Load)

2 million

T_M

max. 20 years

Utilisation category

AC-15; DC-13

I_e/U_e

6 A/250 VAC; 0.25 A/230 VDC

Max. fuse rating

6 A gL/gG D-fuse

Ambient temperature

T₆: -20 °C ... +65 °C,

T₅: -20 °C ... +95 °C

Mechanical life

> 1 million operations

Ex marking

⊕ II 2G Ex d IIC T6/T5 Gb,

⊕ II 2D Ex tb IIIC

T80°C/T95°C Db IP65;

IECEx Ex d IIC T6/T5 Gb,

Ex tb IIIC T80°C/T95°C Db IP65

PTB 11 ATEX 1002 X;

IECEx PTB 06.0098 X*

*referring to the switch insert

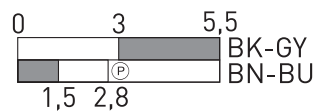
Approvals



Switching diagram

Slow action

1 NC/1 NO contact per pedal



Contact diagram

