



- LED Double Flash Beacon in attractive quadratic form
- Intense double flash with low power consumption
- Innovative connector to create traffic light combinations
- Easy assembly due to quick-release screws
- Thread/membrane combination keeps cabling requirements to a minimum

Life duration up to 50,000 hrs

i TECHNICAL SPECIFICATIONS:

Dimensions (L x H x W):	85 mm x 85 mm x 72 mm
Housing:	PP-GF, black
Lens:	PC, transparent
Connection:	Screw terminal with wire protection, max. 1.5 mm ²
Fixing:	Wall, base and ceiling mounting
Current consumption:	Max. 80 mA at 24 V
Equipment:	Eight self-sealing membranes for cable entry without tools Eight integrated M 20 threads, no nuts required Optional use of a cable gland, thread length of cable gland ≤ 9 mm (accessory)
Assembly:	Incl. snap-on fixing bracket (optional use)



Intense double flash effect with low power consumption

ORDER SPECIFICATIONS:

Voltage	12 V ^{DC}	24 V ^{DC}	115-230 V ^{AC}
red	853 110 54	853 110 55	853 110 60
green	853 210 54	853 210 55	853 210 60
yellow	853 310 54	853 310 55	853 310 60
clear	853 410 54	853 410 55	853 410 60
blue	853 510 54	853 510 55	853 510 60

ACCESSORIES:

Connector for traffic light combinations (For further information see page 119)	975 853 01
Cable gland M 20 x 1.5 mm 8 mm thread length, required for protection rating IP 67	975 853 02

ADDITIONAL INFORMATION:

Save time installing the product
To fix the 853 beacon to the wall four holes have to be drilled. To speed things up the snap-on fixing bracket delivered with the beacon offers a time-saving alternative: simply drill two holes to attach the fixing bracket to the wall and snap the beacon onto it.

The cable can be fed through one of the eight self-sealing membranes without any tools saving 30% of the usual installation time. Once the cable has been connected to the terminals, the lens can be clipped onto the base and secured using the four captive quick-release screws.

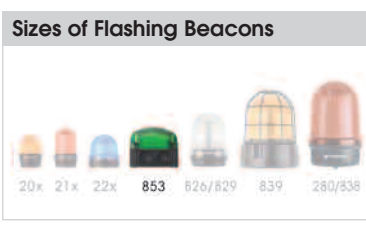


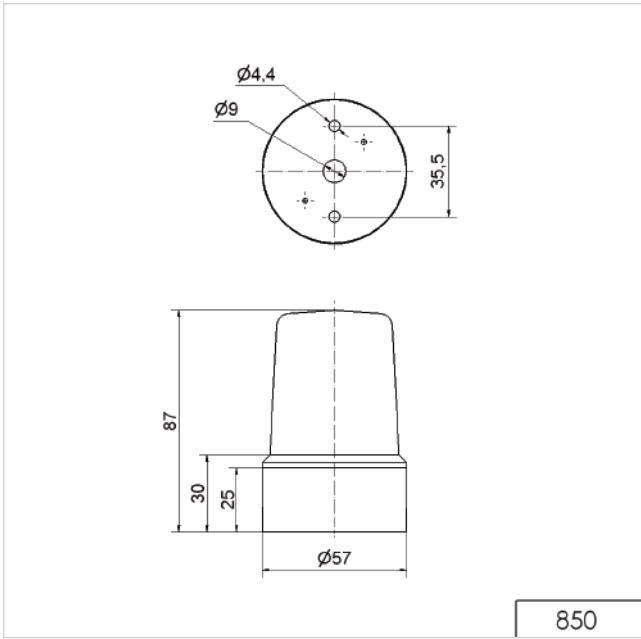
Easy assembly due to quick-release screws

TECHNICAL DIAGRAMS:

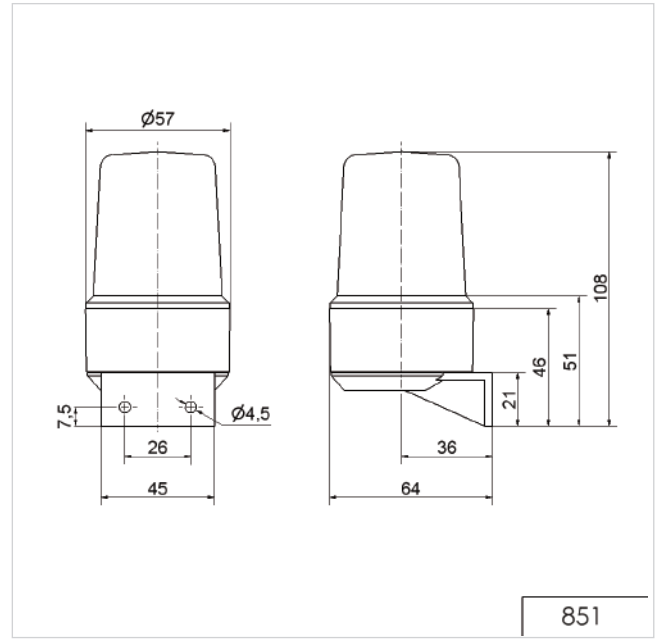
see page 287

CE 130 g IP66 IP67 +50°C / -25°C PLC

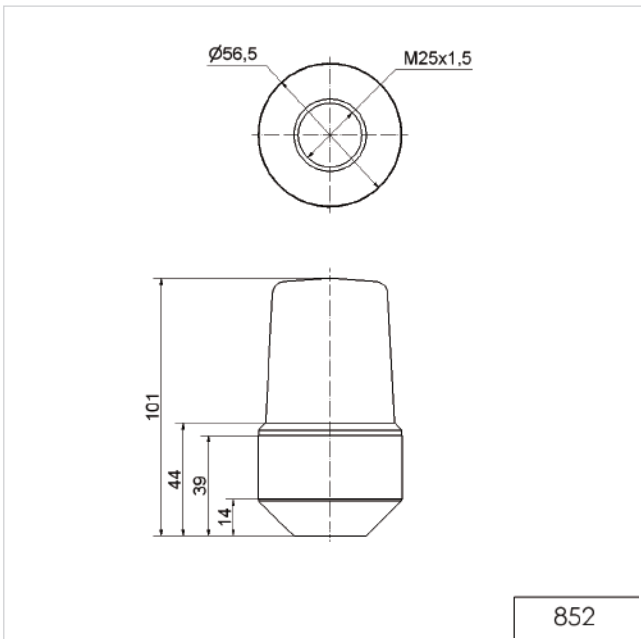




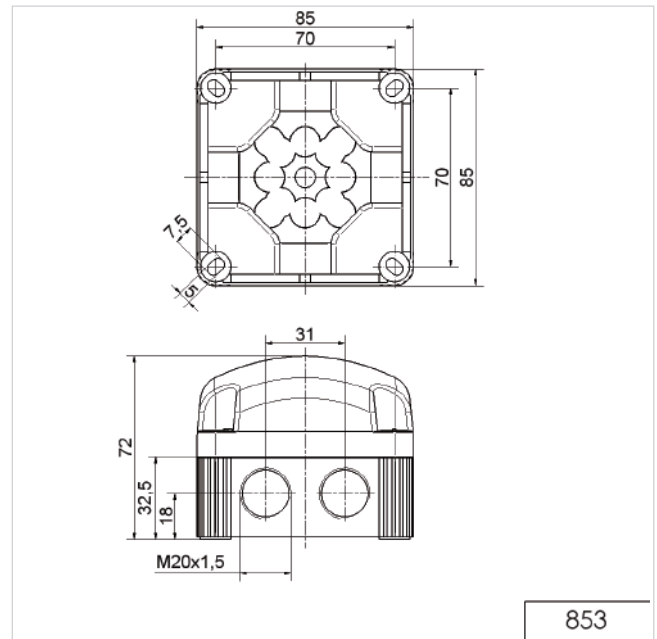
850



851



852



853

! ADDITIONAL INFORMATION:

You are welcome to request the technical diagrams in digital form. The relevant 3D models, instruction leaflets and connection diagrams can be obtained from us or downloaded from our homepage at any time.