

## Radio foot switch

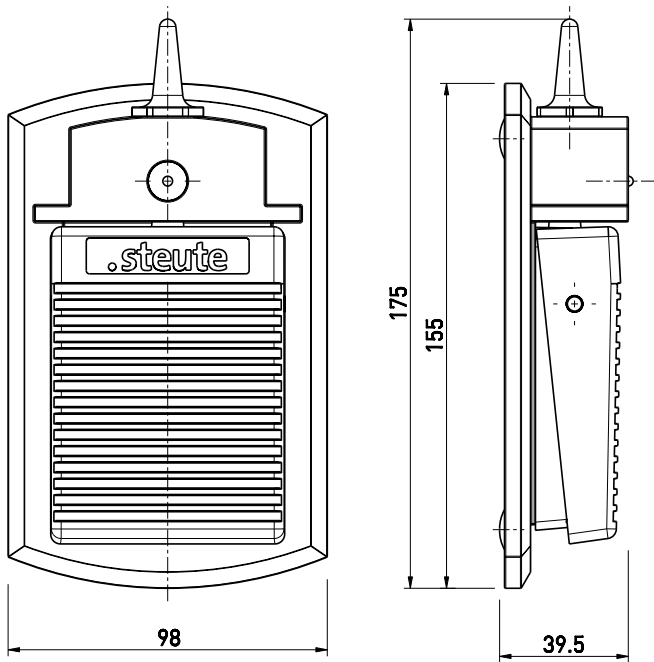
// RF KF EN868 Order no.: 88191901

### Features/Options


- Metal console, thermoplastic pedal
- Output signal to be configured individually at the receiver
- EnOcean-protocol
- Data rate 120 kbps

- No wiring and pipe laying required, powered by a lithium ion battery
- Multi-network capable
- Easy programming of receiver

### Dimensions



### Technical data

Standards	EN 60947-5-1; EN 61000-6-2; EN 301 489-1; EN 301 489-3; EN 300 220-2
Enclosure	Zinc die-cast console, RAL 9005
Pedal	glass-fibre reinforced thermoplastic (PA 66)
Degree of protection	IP 67 to IEC/EN 60529
Protocol	EnOcean
Ambient temperature	-20 °C ... +65 °C
Switching frequency	approx. 9000 telegrams at repetitions/h
Voltage supply	Lithium ion battery
Frequency	868.3 MHz
Transmission power	max. 10 mW
Data rate	120 kbps
Bandwidth channel	280 kHz
Sensing range	max. 300 m outside, max. 30 m inside
Mechanical life	> 1 million operations
Actuating time	min. 80 ms
Note	status signal adjustable ex factory
Approvals	

Errors and omissions excepted.