



## Radio position switch

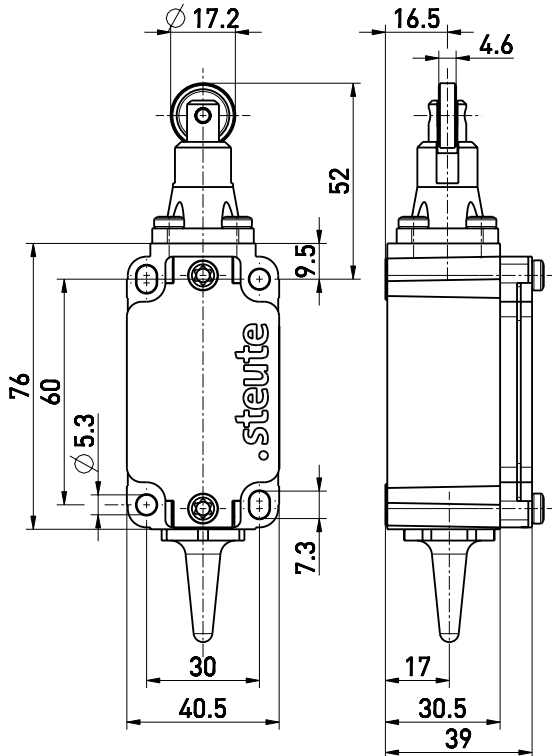
// RF 98 R EN868 Order no.: 9109091101

### Features/Options

- Output signal to be configured individually at the receiver
- EnOcean-protocol
- Data rate 120 kbps
- No power supply, no wiring and pipe laying required
- Multi-network capable

- Easy programming of receiver
- Actuator: Roller plunger R
- Actuator type C to DIN EN 50 041
- Actuating speed max. 0.5 m/s with actuating angle of  $\alpha = 30^\circ$
- Actuator head can be repositioned in 4 x 90° steps

### Dimensions



### Technical Data

#### Standards

EN 60947-5-1; EN 61000-6-2; EN 301 489-1; EN 301 489-3; EN 300 220-2

#### Enclosure

zinc die-cast, enamelled steel, enamelled

#### Cover

IP 67 per IEC/EN 60529

#### Degree of protection

IP 67 per IEC/EN 60529

#### Protocol

EnOcean

#### Ambient temperature

-20 °C ... +65 °C

#### Switching frequency

approx. 9000 telegrams at repetitions/h

#### Voltage supply

Electrodynamic energy generator

#### Frequency

868.3 MHz

#### Transmission power

max. 10 mW

#### Data rate

120 kbps

#### Bandwidth channel

280 kHz

#### Sensing range

max. 300 m outside,  
max. 30 m inside

#### Mechanical life

> 1 million operations

#### Actuating time

min. 80 ms

#### Note

no status signal

#### Approvals



Errors and omissions excepted.