



Radio position switch

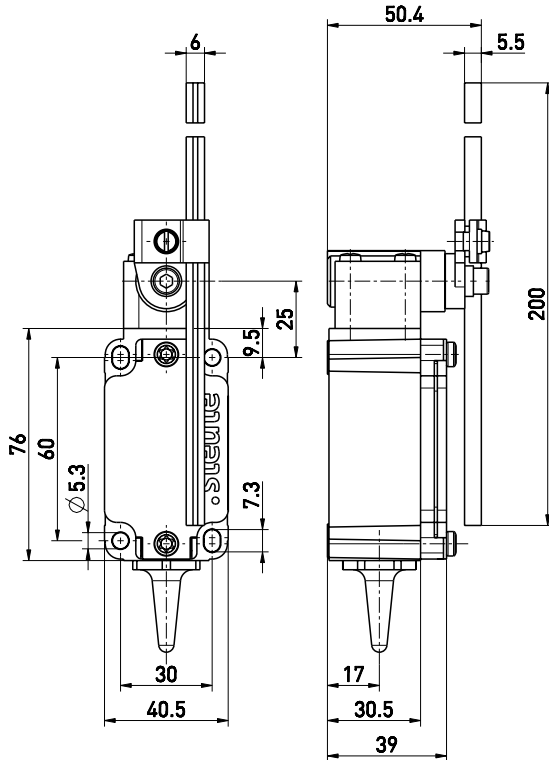
// RF 98 DD EN868 Order no.: 9109251101

Features/Options

- Output signal to be configured individually at the receiver
- EnOcean-protocol
- Data rate 120 kbps
- No power supply, no wiring and pipe laying required
- Multi-network capable

- Easy programming of receiver
- Actuator: Rod lever DD
- Actuator type D to DIN EN 50 041
- Actuating speed max. 2.5 m/s with an actuating angle of $\alpha = 30^\circ$

Dimensions



Technical Data

Standards

EN 60947-5-1; EN 61000-6-2; EN 301 489-1; EN 301 489-3; EN 300 220-2

Enclosure

zinc die-cast, enamelled

Cover

steel, enamelled

Degree of protection

IP 67 per IEC/EN 60529

Protocol

EnOcean

Ambient temperature

-20 °C ... +65 °C

Switching frequency

approx. 9000 telegrams at repetitions/h

Voltage supply

Electrodynamic energy generator

Frequency

868.3 MHz

Transmission power

max. 10 mW

Data rate

120 kbps

Bandwidth channel

280 kHz

Sensing range

max. 300 m outside,
max. 30 m inside

Mechanical life

> 1 million operations

Actuating time

min. 80 ms

Note

no status signal

Approvals



Errors and omissions excepted.