

Ex safety switches with separate actuator // Ex 355 AZ 10/1S Order no.: 92053301

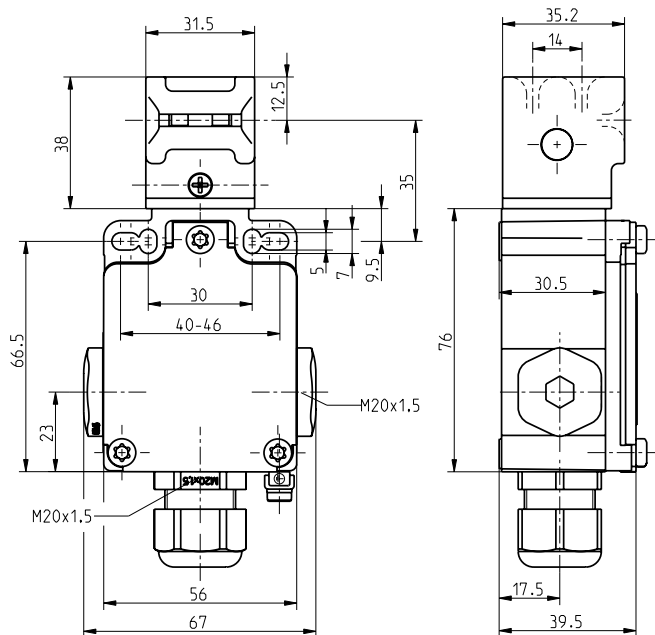
Features/Options

- Ex zone 1 and 21
- Metal enclosure
- Mounting details to EN 50 041

- Wiring compartment

- N.B.: Please state required approvals for Russia and Brazil with your order!

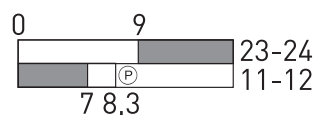
Dimensions



Switching diagram

Slow action

1 NC/1 NO contact



Technical data

Standards

EN 60947-5-1; EN 1088;
EN 60079-0, EN 60079-1,
EN 60079-7, EN 60079-31;
IEC 61241-0, -1; EN ISO 13849-1

Enclosure

zinc die casting, enamelled

Actuator

stainless steel 1.4301

Switch insert

Ex 95

Degree of protection

IP 67 according to EN 60529

Contact material

silver

Switching system

slow action, positive break NC

Switching elements

contact ⊖

change-over contact with double
break Zb, galvanically separated
contact bridges

Connection

M3 screw clamps

B_{10d} (10% Load)

2 million

T_M

max. 20 years

Cable section

max. 1.5 mm²
(incl. conductor ferrules)

U_{imp}

4 kV

U_i

250 V

I_{the}

6 A

I_e/U_e

6 A/250 VAC; 0.25 A/230 VDC

Utilisation category

AC-15, DC-13

Max. fuse rating

6 A gL/gG D-fuse

Positive break travel

8,3 mm

Ambient temperature

-20 °C ... +60 °C

Mechanical life

> 1 million operations

Ex marking

⊕ II 2G Ex de IIC T6,

⊕ II 2D IP67 T 80 °C

IECEX Ex de IIC T6/T5 Gb,

Ex tb IIIC T80°C/T95°C Db

Approvals

DMT 01 ATEX E 178,

IECEX BVS 07.0014



Errors and omissions excepted.