

Ex belt-alignment switches

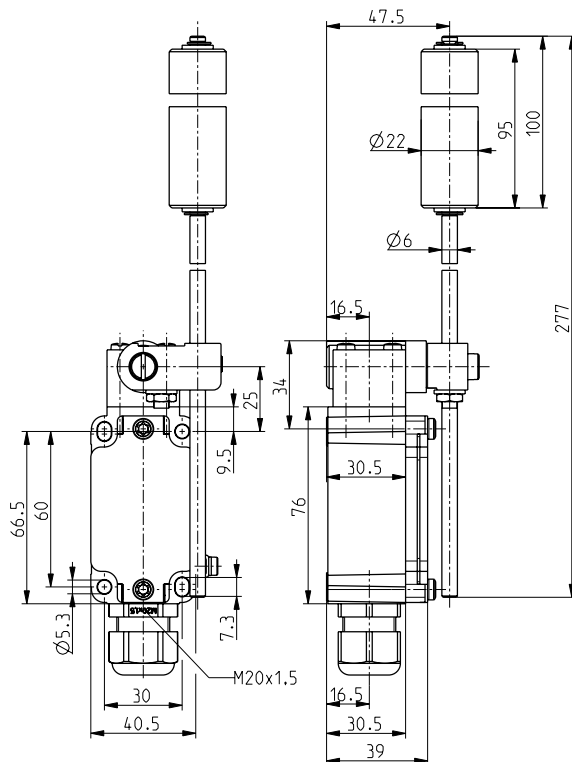
// Ex 355 4VSR 2 NC Order no.: 92531301

Features/Options

- Ex zone 1 and 21
- Metal enclosure
- 2 contacts
- Mounting details to DIN EN 50 041

- Wiring compartment
- Adjustable-length rod lever with nylon roller
- For light- and medium-strength applications
- N.B.: Please state required approvals for Russia, China and Brazil with your order!

Dimensions



Technical data

Standards	EN 60947-5-1; EN 1088; EN 60079-0, EN 60079-1, EN 60079-7, EN 60079-31; EN ISO 13849-1
Enclosure	zinc die casting, enamelled
Switch insert	Ex 95
Degree of protection	IP 67 to IEC/EN 60529
Contact material	silver
Switching system	slow action, positive break NC contact ⊖
Switching elements	2 NC contacts, galvanically separated contact bridges
Connection	M3 screw clamps
Cable section	max. 1.5 mm ² (incl. conductor ferrules)
B_{10d} (10% load)	2 million
T_M	max. 20 years
U_{imp}	4 kV
U_i	250 V
I_{the}	6 A
I_e/U_e	6 A/250 VAC; 0,25 A/230 VDC
Utilisation category	AC-15, DC-13
Max. fuse rating	6 A gL/gG D-fuse
Ambient temperature	-20 °C ... +60 °C
Mechanical life	> 1 million operations
Switching frequency	1800/h
Repeat accuracy	± 0.1 mm
Contact gap	max. 2 x 3.5 mm
Ex marking	⊕ II 2G Ex de IIC T6/T5 Gb, ⊕ II 2D Ex tb IIIC T80°C/T95°C Db IECEx Ex de IIC T6/T5 Gb, Ex tb IIIC T80°C/T95°C Db
Approvals	BVS 04 ATEX E 126, IECEx BVS 07.0013



Errors and omissions excepted.