

## Ex safety switches with separate actuator // Ex 355 AZ 20 Order no.: 92553301

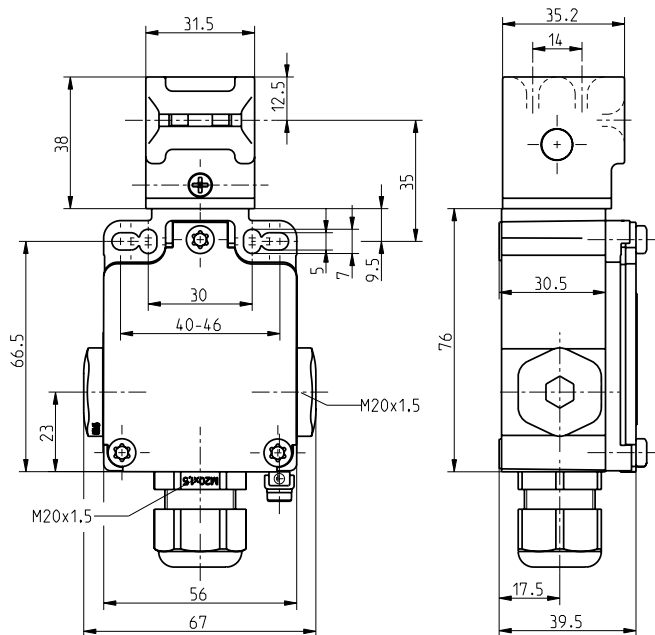
### Features/Options

- Ex zone 1 and 21
- Metal enclosure
- Mounting details to EN 50 041

- Wiring compartment

- N.B.: Please state required approvals for Russia and Brazil with your order!

### Dimensions

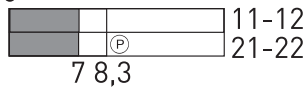


### Switching diagram

Slow action

1 NC contact

0



### Technical data

#### Standards

EN 60947-5-1; EN 1088;  
EN 60079-0, EN 60079-1,  
EN 60079-7, EN 60079-31;  
IEC 61241-0, -1; EN ISO 13849-1

#### Enclosure

zinc die casting, enamelled

#### Actuator

stainless steel 1.4301

#### Switch insert

Ex 95

#### Degree of protection

IP 67 according to EN 60529

#### Contact material

silver

#### Switching system

slow action, positive break NC

#### Switching elements

contact ⊖

2 NC contacts, galvanically  
separated contact bridges

#### Connection

M3 screw clamps

#### $B_{10d}$ (10% Load)

2 million

#### $T_M$

max. 20 years

#### Cable section

max. 1.5 mm<sup>2</sup>  
(incl. conductor ferrules)

#### $U_{imp}$

4 kV

#### $U_i$

250 V

#### $I_{the}$

6 A

#### $I_e/U_e$

6 A/250 VAC; 0.25 A/230 VDC

#### Utilisation category

AC-15, DC-13

#### Max. fuse rating

6 A gL/gG D-fuse

#### Positive break travel

8,3 mm

#### Ambient temperature

-20 °C ... +60 °C

#### Mechanical life

> 1 million operations

#### Ex marking

⊕ II 2G Ex de IIC T6,

⊕ II 2D IP67 T 80 °C

IECEx Ex de IIC T6/T5 Gb,

Ex tb IIIC T80°C/T95°C Db

#### Approvals

DMT 01 ATEX E 178,

IECEx BVS 07.0014



Errors and omissions excepted.