

Ex belt-alignment switches

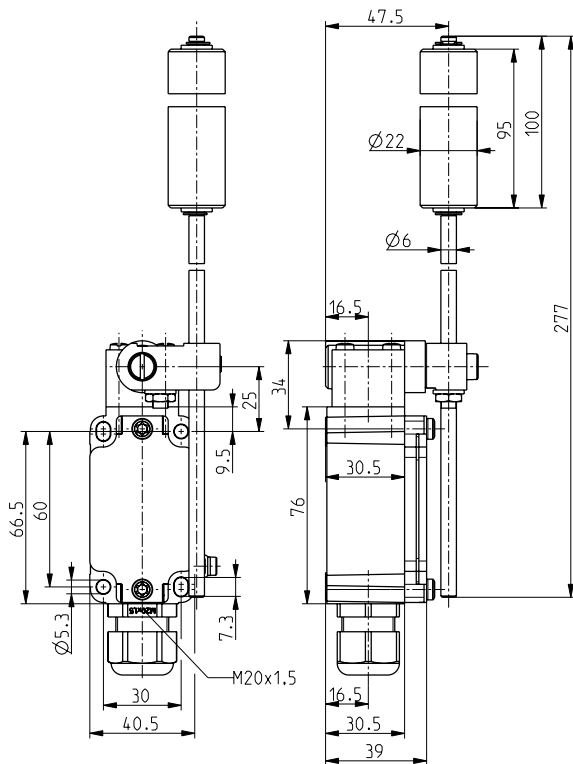
// Ex 335 4VSR 1 NC/1 NO Order no.: 93031301

Merkmale/Optionen

- Ex zone 1 and 21
- Metal enclosure
- 2 contacts
- Mounting details to DIN EN 50 041

- Wiring compartment
- Adjustable-length rod lever with nylon roller
- For light- and medium-heavy applications
- N.B.: Please state required approvals for Russia, China and Brazil with your order!

Dimensions



Technical data

Standards

EN 60947-5-1; EN 1088;
EN 60079-0, EN 60079-1,
EN 60079-7, EN 60079-31;
EN ISO 13849-1

Enclosure

zinc die casting, enamelled

Switch insert

Ex 95

Degree of protection

IP 67 to IEC/EN 60529

Contact material

silver

Switching system

slow action, positive break NC
contact ⊖

Switching elements

change-over contact with double
break Zb, galvanically separated
contact bridges

Connection

M3 screw clamps

Cable section

max. 1.5 mm²
(incl. conductor ferrules)

B_{10d} (10% load)

2 million

T_M

max. 20 years

U_{imp}

4 kV

U_i

250 V

I_{the}

6 A

I_e/U_e

6 A/250 VAC; 0,25 A/230 VDC

Utilisation category

AC-15, DC-13

Max. fuse rating

6 A gL/gG D-fuse

Ambient temperature

-20 °C ... +60 °C

Mechanical life

> 1 million operations

Switching frequency

1800/h

Repeat accuracy

± 0.1 mm

Contact gap

max. 2 x 3.5 mm

Ex marking

⊕ II 2G Ex de IIC T6/T5 Gb,

⊕ II 2D Ex tb IIIC

T80°C/T95°C Db

IECEx Ex de IIC T6/T5 Gb,

Ex tb IIIC T80°C/T95°C Db

Approvals

DMT 01 ATEX E 178,

IECEx BVS 07.0014



Switching diagram

Slow action

1 NC/1 NO contact

