

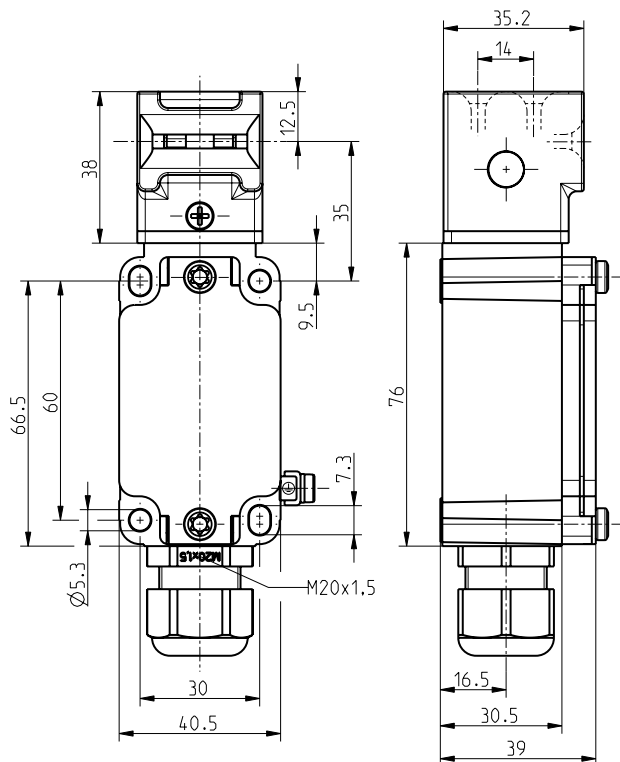
## Ex safety switches with separate actuator // Ex 335 AZ 10/1S Order no.: 93053301

### Features/Options

- Ex zone 1 and 21
- Metal enclosure
- Mounting details to EN 50 041

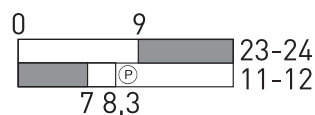
- Wiring compartment
- N.B.: Please state required approvals for Russia, China and Brazil with your order!

### Dimensions



### Switching diagram

Slow action  
1 NC/1 NO contact



### Technical data

<b>Standards</b>	EN 60947-5-1; EN 1088; EN 60079-0, EN 60079-1, EN 60079-7, EN 60079-31; IEC 61241-0, -1; EN ISO 13849-1
<b>Enclosure</b>	zinc die casting, enamelled
<b>Actuator</b>	stainless steel 1.4301
<b>Switch insert</b>	Ex 95
<b>Degree of protection</b>	IP 67 according to EN 60529
<b>Contact material</b>	silver
<b>Switching system</b>	slow action, positive break NC contact ⊖
<b>Switching elements</b>	change-over contact with double break Zb, galvanically separated contact bridges
<b>Connection</b>	M3 screw clamps
<b>B<sub>10d</sub>(10% Load)</b>	2 million
<b>T<sub>M</sub></b>	max. 20 years
<b>Cable section</b>	max. 1.5 mm <sup>2</sup> (incl. conductor ferrules)
<b>U<sub>imp</sub></b>	4 kV
<b>U<sub>i</sub></b>	250 V
<b>I<sub>the</sub></b>	6 A
<b>I<sub>e</sub>/U<sub>e</sub></b>	6 A/250 VAC; 0.25 A/230 VDC
<b>Utilisation category</b>	AC-15, DC-13
<b>Max. fuse rating</b>	6 A gL/gG D-fuse
<b>Positive break travel</b>	8,3 mm
<b>Ambient temperature</b>	-20 °C ... +60 °C
<b>Mechanical life</b>	> 1 million operations
<b>Ex marking</b>	⊕ II 2G Ex d e IIC T6/T5 Gb, ⊕ II 2D Ex tD A21 IP67 T80°C/T95°C IECEx Ex de IIC T6/T5 Gb, Ex tb IIIC T80°C/T95°C Db
<b>Approvals</b>	DMT 01 ATEX E 178, IECEx BVS 07.0014



Errors and omissions excepted.