



Ex position switch with safety function

Ex 95 W 1Ö/1S

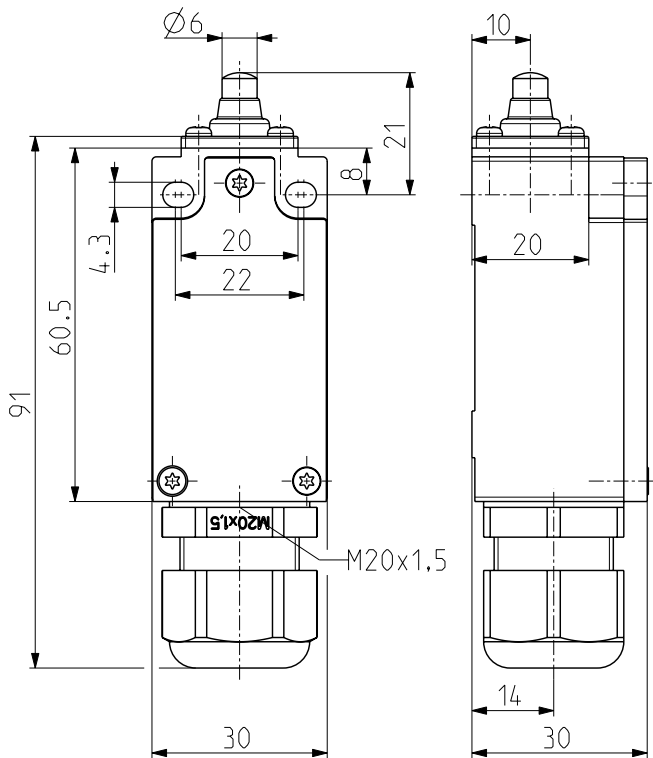
material number: 1049915 (old material number: 95002301)

Features/Options

- Ex zone 1 and 21
- Thermoplastic enclosure
- Design according to EN 50047
- Slow action \ominus , change-over contact with double break
- Wiring compartment

- Double insulated \square
- Actuator: Plunger with collar W
- Actuator type B to EN 50047
- N.B.: Please state required approvals for Russia and China with your order!

Dimensions



Technical data

Standards	EN 60947-5-1; EN 1088; EN 60079-0, EN 60079-1, EN 60079-7; EN 61241-0, EN 61241-1; EN ISO 13849-1
Design	DIN EN 50 047
Enclosure	glass-fibre reinforced, shock-proof thermoplastic, self-extinguishing UL 94-V0 Ex 95
Switch insert	Ex 95
Degree of protection	IP 67 to IEC/EN 60529
Contact material	silver
Switching system	slow action, positive break NC contacts \ominus
Switching elements	change-over contact with double break Zb, galvanically separated contact bridges
Connection	M3 screw clamps
Cable section	max. 1.5 mm ² (incl. conductor ferrules)
Cable entry	1 x M20 x 1.5 for cable diameter 5 ... 9 mm
B_{10d} (10 % Load)	2 million
T_M	max. 20 years
U_{imp}	4 kV
U_i	250 V
I_{the}	6 A
I_e/U_e	6 A/250 VAC; 0.25 A/230 VDC
Utilisation category	AC-15; DC-13
Max. fuse rating	6 A gG/gN fuse
Ambient temperature	-20 °C ... +60 °C
Mechanical life	> 1 million operations
Frequency of operation	3600/h
Repeat accuracy of switching points	± 0.1 mm
Contact gap	max. 2 x 3.5 mm
Ex marking	\square II 2G Ex de IIC T6, \square II 2D Ex td A21 IP67 T80 °C
Approvals	DMT 01 ATEX E 118 IECEx in 2013



Errors and omissions excepted.

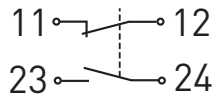


Ex position switch with safety function

Ex 95 W 1Ö/1S

material number: 1049915 (old material number: 95002301)

Contact diagram



Switching diagram

