

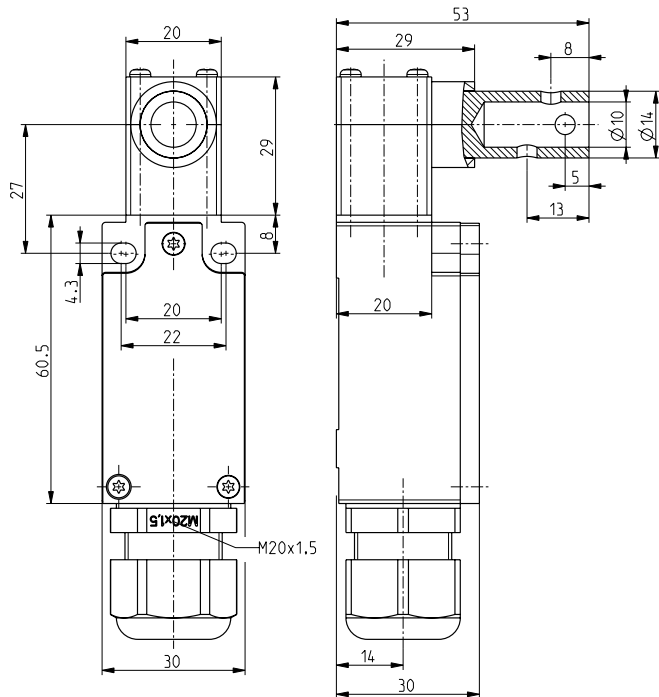
Ex safety switches for hinged guard doors // Ex 95 SB 10/1S - 10 mm Order no.: 95054303

Features/Options

- Ex zone 1 and 21
- Double insulated 
- Slow action , change-over contact with double break
- Mounting details to EN 50 047

- Actuator head can be repositioned in 4 x 90° steps
- Shaft bore \varnothing 10 mm
- Actuating shaft can be turned 360°
- N.B.: Please state required approvals for Russia and China with your order!

Dimensions



Technical data

Standards

EN 60947-5-1; EN 1088;
BG-GS-ET-15; EN 60079-0,
EN 60079-1, EN 60079-7;
EN 61241-0, EN 61241-1;
EN ISO 13849-1

Design

mounting details to DIN EN 50 047

Enclosure

glass-fibre reinforced,
shock-proof thermoplastic,
self-extinguishing UL 94-V0

Degree of protection

IP 67 to IEC/EN 60529


Contact material

silver

Switching system

slow action, positive break

Switching elements

NC contacts 
change-over contact with double
break Zb, galvanically separated
contact bridges

Connection

M3 screw clamps

Cable section

max. 1.5 mm²
(incl. conductor ferrules)

Cable entry

M20 x 1.5

B_{10d} (10% Load)

2 million

T_M

max. 20 years

U_{imp}

4 kV

U_i

250 V

I_{the}

6 A

I_e/U_e

6 A/250 VAC; 0.25 A/230 VDC

Utilisation category

AC-15, DC-13

Max. fuse rating

6 A gL/gG D-fuse


Ambient temperature

-20 °C ... +60 °C

Mechanical life

> 1 million operations

Ex marking

 II 2G Ex de IIC T6,
II 2D Ex tD A21 IP67 T80°C

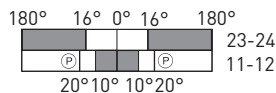
Approvals

DMT 01 ATEX E 118;
IECEx in 2011

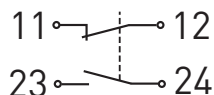
Switching diagram

Slow action

1 NC/1 NO contact



Contact diagram



Errors and omissions excepted.