



Ex solenoid interlocks

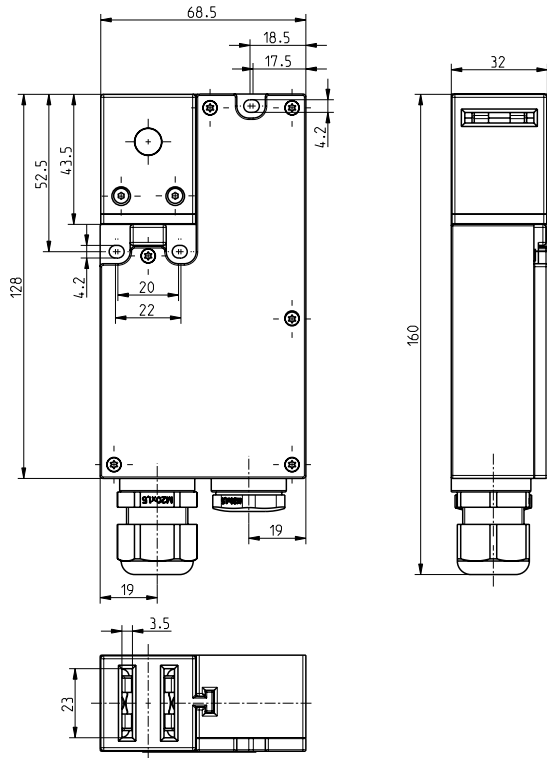
// Ex STM 295 20/2S-R-90° Order no.: 95353309

Features/Options

- Ex zone 1 and 21
- Thermoplastic enclosure
- Double insulated
- Two Ex switch inserts in one enclosure

- Spring-to-lock principle
- Holding force 1000 N
- Wiring compartment
- N.B.: Please state required approval for Russia with your order!

Dimensions



Technical data

Standards

EN 60947-5-1; EN 1088;
 EN 60079-0, EN 60079-1,
 EN 60079-7, EN 60079-18;
 EN 61241-0, EN 61241-1;
 EN ISO 13849-1

Enclosure

glass-fibre reinforced,
 shock-resistant thermoplastic,
 self-extinguishing UL 94-V0
 stainless steel 1.4301

Actuator

Switch insert

Degree of protection

Contact material

Switching system

Ex 95
 IP 64 to IEC/EN 60529
 silver
 slow action, positive break NC
 contact \ominus

Switching elements

2 NC and 2 NO contacts with
 positive break, galvanically
 separated contact bridges
 M3 screw clamps

Connection

B_{10d} (10% Load)

T_M

Cable section

1 million
 max. 20 years

max. 1.5 mm² (incl. conductor
 ferrules)

Cable entries

2 x M20 x 1.5 for cable section 5 ...
 9 mm

U_{imp}

U_i

I_{the}

I_e/U_e

Utilisation category

Max. fuse rating

I_e/U_e solenoid

Power consumption

Ambient temperature

Mechanical life

Ex marking

4 kV

250 V

6 A

3 A/250 VAC; 0.25 A/230 VDC

AC-15, DC-13

6 A gL/gG D-fuse

0.08 A / 24 VDC +10%/-15%

max. 47 W (0,25s)

-20 °C ... +55 °C

> 500.000 operations

Ex II 2G Ex demb IIC T4 Gb,

Ex II 2D Ex tD A21 IP64 T100°C

IECEx Ex demb IIC T4,

Ex tD A21 IP64 T100°C

BVS 10 ATEX E 053 X

IECEx BVS 11.0030X

Approvals



Switching diagram

Spring-to-lock principle

2 NC/2 NO contact

