

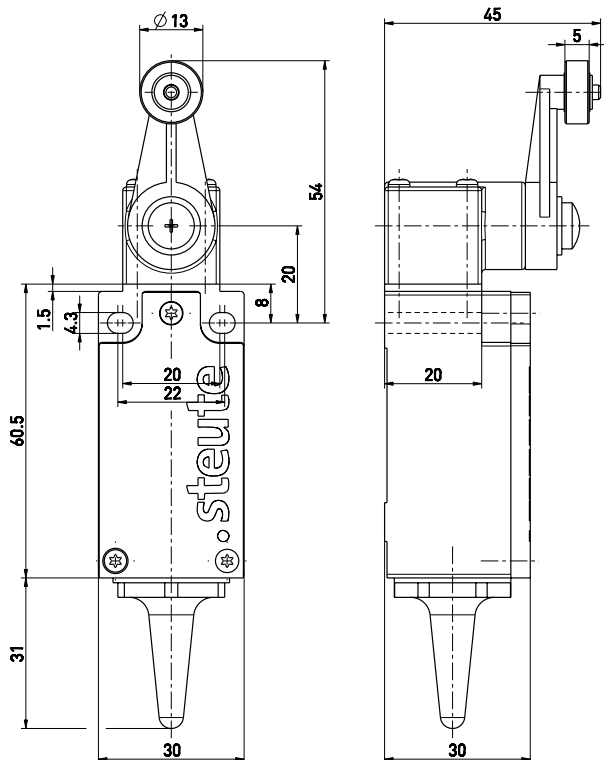
Ex switchgear with radio technology // Ex RF 95 D EN868 Order no.: 95921301

Features/Options

- Ex zone 1 and 2, as well as 21 and 22
- Thermoplastic enclosure
- Transversely slotted mounting holes
- To EN 50 047
- Output signal can be individually configured at the receiver

- EnOcean-protocol
- Data rate 120 kbps
- No power supply, no wiring and pipe laying required
- Multi-network capable

Dimensions



Technical Data

Standards	EN 60947-5-1; EN 61000-6-2; EN 301 489-1; EN 301 489-3; EN 300 220-3; EN 60079-11; EN 61241-11
Enclosure	Glassfibre reinforced thermoplastic, self-extinguishing UL 94-V0
Cover	Glassfibre reinforced thermoplastic, self-extinguishing UL 94-V0
Degree of protection	IP 67 per IEC/EN 60529
Protocol	EnOcean
Ambient temperature	-20 °C ... +60 °C
Switching frequency	approx. 9000 telegrams at repetitions/h
Voltage supply	Electrodynamic energy generator
Frequency	868.3 MHz
Transmission power	max. 10 mW
Data rate	120 kbps
Bandwidth channel	280 kHz
Sensing range	max. 300 m outside, max. 30 m inside
Mechanical life	> 1 million operations
Actuating time	min. 80 ms
Note	no status signal
Ex marking	⊕ II 2G Ex ib IIC T6 Gb ⊕ II 2D Ex ib IIIC T80°C Db
Approvals	BVS 08 ATEX E 111
Weight	84g

Errors and omissions excepted.