

Ex Flashing light 5 Joules CWB-ATEX



- the flashing lights from the CWB-ATEX series are explosion-protected equipment and serve as visual alarms in potentially explosive workplaces in Zones 1, 2, 21 and 22
- housing made of aluminium, therefore usable in all chemical and petrochemical plants as well as offshore plants
- high protection system and stable mechanical construction allow use under the toughest operating conditions
- various mounting brackets and a protective cage are available as accessories



Range as per EN 54



Protection system



Operating temperature

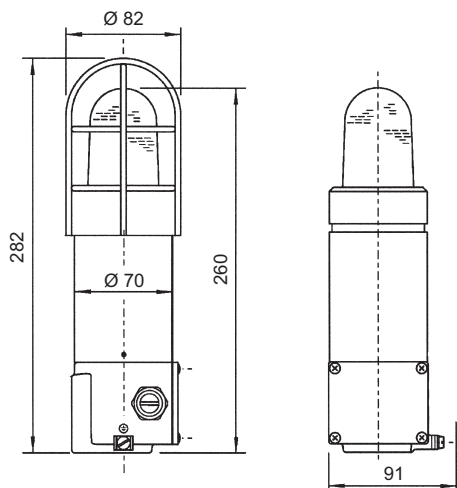


GL approval

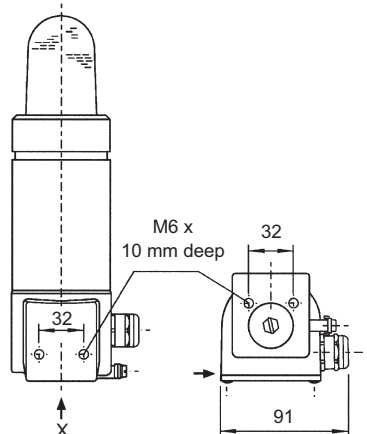
Electrical data	CWB-ATEX					
Rated voltage	230 V AC	110–127 V AC	24–42 V AC	60–80 V DC	12–48 V DC	24 V DC
Rated frequency	50 Hz / 60 Hz	50 Hz / 60 Hz	50 Hz / 60 Hz			
Operating range	± 10 %	± 10 %	± 10 %	± 10 %	± 10 %	± 10 %
Nominal current consumption	0.08 A	0.11 A	0.5 ... 0.3 A	0.11 A ... 0.13 A	0.5 ... 0.3 A	0.4 A

Mechanical data	CWB-ATEX	
Type of protection	'd' flame proof enclosure for light housing 'e' enhanced safety for terminal box	
Explosion protection	II 2G Ex de IIC T6 II 2G Ex de IIC T5 IID Ex dt A21 IP 66 T80°C IID Ex dt A21 IP 66 T100°C	
Category (area of use)	2G (Zone 1) / 3G (Zone 2) 2D (Zone 21) / 3D (Zone 22)	
Certificate of conformity	LCIE 02 ATEX 6113	
Testing body	LCIE	
Flash energy	5 Joules	
Flash rate	approx. 1 Hz	
Lens colours	clear, yellow, amber, red, green, blue	
Temperature class T	T6, II 2D T80°C - 20 °C ... + 40 °C T5, II 2D T100°C - 20 °C ... + 50 °C	
Storage temperature	- 20 °C ... + 80 °C	
Relative humidity	90 %	
Protection system according to EN 60529	IP 66 (when used for design purpose)	
Duty cycle	100 %	
Service life of the flash tube	light emission still 70 % after 8,000,000 flashes	
Material	lens	polycarbonate (PC)
	protective cage	stainless steel
	housing	aluminium alloy yellow; plinth black
Type of connection		screw terminals
	terminal area	(max.) 2 x 4 mm ² (single wire) 2 x 2.5 mm ² (fine wire)
Cable entry	1 x cable gland M20 x 1.5, chrome-plated, clamping range 6 ... 13 mm 1 x blanking plug, M20 x 1.5	
Weight	approx. 1.24 kg	

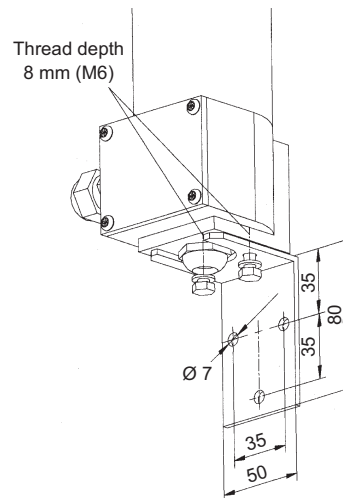
Dimensions



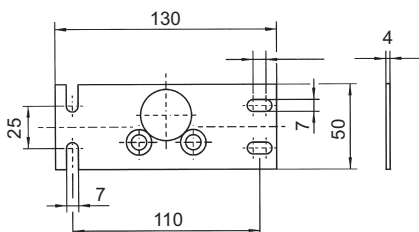
Direct mounting to wall/floor



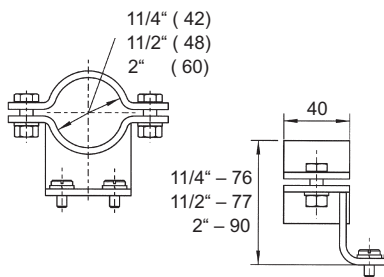
Standard bracket



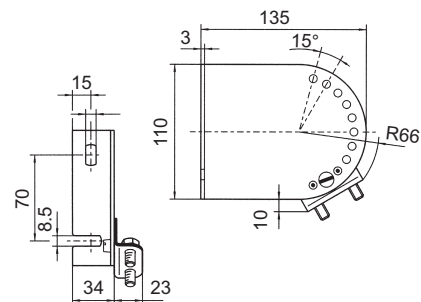
Mounting plate



Pipe clamp



Mounting bracket



Ordering details

Article numbers		CWB-ATEX			
Lens colour	Rated voltage	230 V AC	110–127 V AC	60–80 V DC	24–42 V AC / 12–48 V DC
yellow		310 06 10 3 000	310 06 13 3 000	310 06 58 3 000	310 06 90 3 000
amber		310 06 10 4 000	310 06 13 4 000	310 06 58 4 000	310 06 90 4 000
red		310 06 10 5 000	310 06 13 5 000	310 06 58 5 000	310 06 90 5 000

Article numbers for other colours on request

Options / accessories



Pipe clamps
stainless steel
Article number:
R1 1/4": 38108101000
R1 1/2": 38108101200
R2": 38108102000



Mounting bracket
stainless steel
Article number:
38108100100



Mounting plate
stainless steel
Article number:
38108100000



Standard bracket set
stainless steel
Article number:
38108100150



Mounting plate
stainless steel
Article number:
38108100200



GOST

Manufacturer's declaration

We hereby declare that the explosion-protected flashing light with the type designation has been developed and manufactured in accordance with EN 60079-0.

Ex-CWB-ATEX

This declaration is based on compliance with the following regulations and standards:

- 94/9/EG CE conformity
- EN 60079-0 Electrical equipment for areas at risk of explosions – General requirements
- EN 60079-1 Pressure-resistant encapsulation 'd'
- EN 60079-7 Enhanced safety 'e'
- EN 61241-0 Electrical equipment for use in areas with combustible dust
- EN 60598 Lights
- EN 60529 Types of protection by enclosure (IP code)
- EN 60400 / IEC 61 Lamp sockets for tube-shaped fluorescent lamps and starter sockets
- 2004/108/EG 'Electromagnetic compatibility'

The flashing light is approved for use in potentially explosive areas in Zones 1, 2, 21 and 22 as per 94/9/EU.