

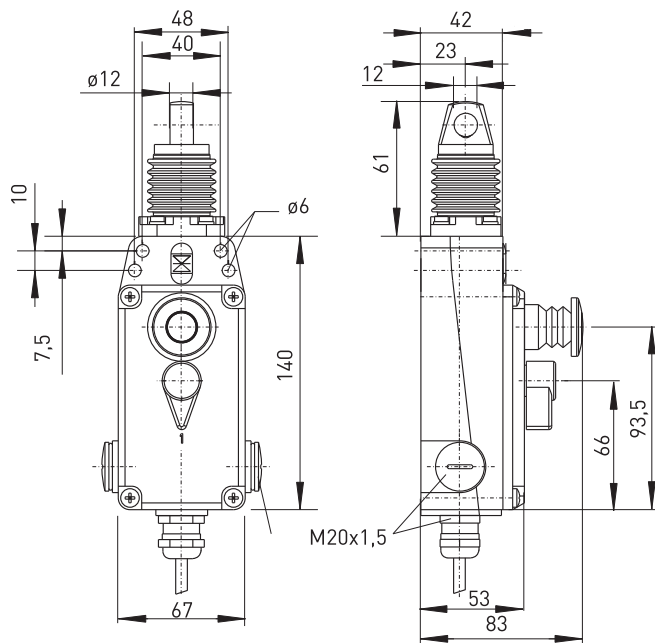
Ex emergency pull-wire switches // Ex ZS 80

Features/Options

- Ex zone 1 and 2, as well as 21 and 22
- Metal enclosure
- 2 contacts
- Position indicator and integrated emergency-stop push button
- Wire length up to 75 m

- Pretensioning force 100 N
- Lever for release and position indication
- Wire pull and breakage function
- Special version only for equipment category 3D, available for dust Ex zone 22
- Inmetro approval for Brazil to be ordered separately

Dimensions



Slow action

1 NC/1 NO contact
Ex ZS 80 1Ö/1S



2 NC contacts
Ex ZS 80 2Ö



Technical data

Standards	IEC/EN 60947-5-1, IEC/EN 60947-5-5, EN 418, EN 50014, EN 50018, EN 50281-1-1
Enclosure	aluminium die-cast, enamel finish
Cover	glass-fibre reinforced, shock-proof thermoplastic, ultramid
Switch insert	EEx 14
Protection class	IP 67 to IEC/EN 60259
Contact material	Silver
Switching system	slow action, positive break NC contacts \ominus
Switching elements	1 NC/1 NO or 2 NC contacts with double break cable H05VV-F
Connection	
B_{10d} (10% Load)	100.000
T_M	10 years
Cable section	4 x 0.75 mm ² (incl. conductor ferrules)
Cable length	3 m
U_{imp}	4 kV
U_i	250 V
I_{the}	6 A
Utilisation category	AC-15, DC-13
I_e/U_e	6 A/250 VAC, 0.25 A/230 VDC
Max. fuse rating	6 A gL/gG D-fuse
Ambient temperature	-20 °C ... +65 °C, +75 °C ... T5
Mechanical life	> 1 million operations
Max. wire length	75 m
Features	wire pull and breakage detection
Ex certification	Ex II 2G EEx d IIC T6, II 2D IP65 T80°C
Approvals	PTB 06 ATEX 1050 X



Recommended wire length

Errors and omissions excepted.