



## Ex junction/ terminal box devices

Ex AD 85 i MK4 3xM20

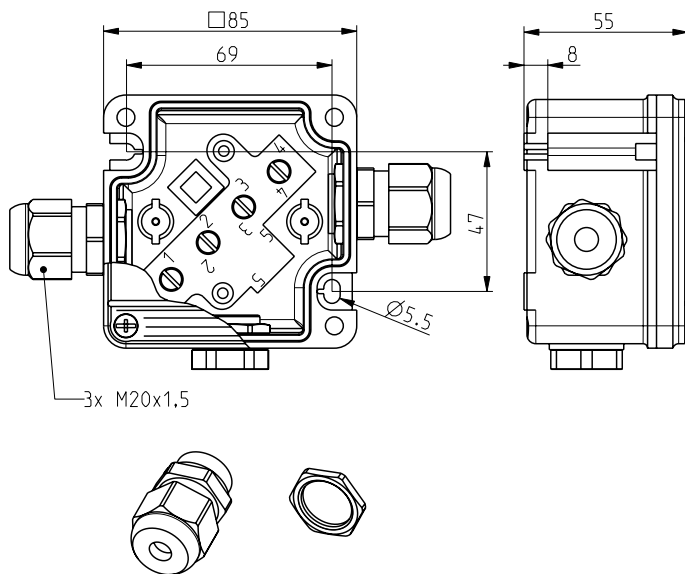
Material number: 1186655 (Material number old: 6721100401)

### Features/Options:

- Ex zone 1 and 21
- Polyester resin enclosure
- Junction box, Ex "i" intrinsic safety

- Dimensions 85 x 85 x 55 mm
- 3x Fitting, 1x Stopping plug, 4x Nut included in the scope of delivery

### Dimensions



### Technical data

Standards	EN 60079-0; EN 60079-11; EN 60079-18; EN 61241-0; EN 61241-1
Enclosure	glass-fibre reinforced polyester resin
Degree of protection	IP 66 to IEC/EN 60529
Connection	screw connection terminals
Cable cross-section	max. 4 mm <sup>2</sup> (incl. conductor ferrules), single-wire
Cable entry	3 x M20 x 1.5 for cable diameter 6 ... 13 mm
Tightening torque	cover screws 0.3 ... 0.8 Nm
U <sub>e</sub>	max. 1100 V without fuse, max. 550 V with fuse
Temperature class	T6
Rated operating current/voltage	25 A / 550 VAC
Ambient temperature	Ex i: -40 °C ... +75 °C, -50 °C with special cable glands
Impact energy	max. 7 J
Ex marking	⊕ II 2G Ex ia IIC T6
Ex AD i:	⊕ II 2D Ex tD A21 IP66 T80 °C
Approvals	PTB 10 ATEX 1019 X
Weight	400 g