

Accessories: Ex Junction and Terminal boxes

// Series Ex AD, variants

Features/Options

- All variants are available as junction or terminal box
- Method of protection e or i
- Junction box equipped with either 4, 5 or 8 hood-type terminals
Ex AD 85 MK: 4 or 5, Ex AD 115: 5 or 8, Ex AD 145: 8
- Terminal box Ex AD FK equipped with max. 16 spring-force terminal blocks plus 2 PE/PA terminals
- Junction boxes equipped with different sizes of cable glands
Ex AD 85 MK: 3 or 4 x M20 x 1.5,
Ex AD 115 MK: 6 x M20 x 1.5, 4 or 6 M25 x 1.5,
Ex AD 145 MK: 8 x M25 x 1.5 or 6 x M32 x 1.5

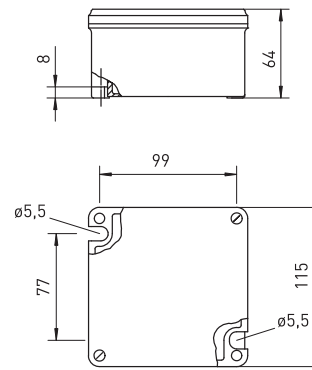
- Terminal boxes equipped with different sizes of cable glands

Ex AD 85 FK: 3 x M20 x 1.5,
Ex AD 115 FK: 3 x M25 x 1.5,
Ex AD 145 FK: 4 x M25 x 1.5

// Ex AD 115



// Ex AD 115



// Ex AD 145

