

Flashing warning lights 5 Joules WBL/WBS / WBL-PX



- the classics of flashing lights
- sturdy metal housing
- universally usable
- also available with GL approval
- housing and fixing bracket made of sturdy anodised aluminium
- aggressive environmental conditions or driving rain cannot damage the light
- impact-proof lens
- ideally suited for tough industrial environments
- flash tube additionally secured by a steel clamp



Range as per EN 54



Protection system



Operating temperature



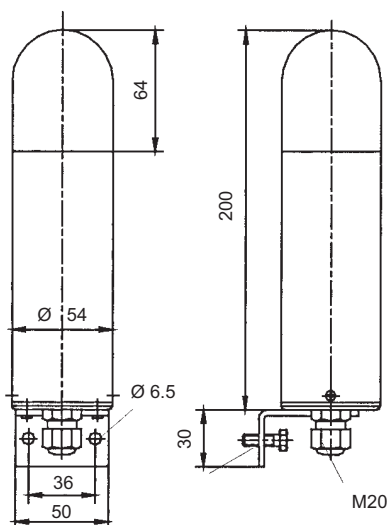
WBL-PX

Electrical data	AC	WBL				
Rated voltage	230 V AC	110 V AC	48 V AC	42 V AC	24 V AC	
Rated frequency	50 Hz / 60 Hz	50 Hz / 60 Hz	50 Hz / 60 Hz	50 Hz / 60 Hz	50 Hz / 60 Hz	
Operating range	185 V – 255 V	90 V – 135 V	40 V – 54 V	35 V – 50 V	20 V – 30 V	
Nominal current consumption	0.07 A	0.10 A	0.47 A	0.50 A	0.77 A	
Electrical data	DC	WBS				
Rated voltage	110 V DC	80 V DC	60 V DC	48 V DC	24 V DC	12 V DC
Operating range	88 V – 132 V	64 V – 96 V	50 V – 72 V	40 V – 60 V	18 V – 35 V	10 V – 15 V
Nominal current consumption	0.09 A	0.11 A	0.13 A	0.18 A	0.25 A	0.60 A

Electrical data	WBL-PX
Rated voltage	230 V AC
Rated frequency	50 Hz / 60 Hz
Operating range	185 V – 255 V
Nominal current consumption	0.055 A
Initial current limited to	≤ 6 A / 110 µs

Mechanical data	WBL	WBS	WBL-PX
Flash rate	1 Hz = 60 flashes/min.		
Flash energy	5 Joules		
Light intensity (DIN 5037)	clear lens	44 cd	
Lens colours	clear, white, yellow, amber, red, green, blue		
Operating temperature	- 30 °C ... + 55 °C		
Storage temperature	- 40 °C ... + 70 °C		
Relative humidity	90%		
Protection system according to EN 60529	IP 54 (vertical mounting)		
Duty cycle	100%		
Service life of the flash tube	light emission still 70% after 8,000,000 flashes		
Material	lens	polycarbonate (PC)	
	housing	aluminium (Al Mg Si 1), yellow anodised	
	base	polycarbonate (PC) with fibre glass	
Cable entry	M20 x 1.5		
Connecting terminals	single wire 0.5 = 2.5 mm ² , fine wire 0.5 = 1.5 mm ² , with wire end ferrules DIN 46228/1		
Weight	AC version	260 g	260 g
	DC version		300 g

Dimensions



Ordering details

Article numbers		WBL		WBS	
Lens colour	Rated voltage	230 V AC	110 V AC	60 V DC	24 V DC
yellow		210 03 10 3 000	210 03 16 3 000	210 03 65 3 000	210 03 80 3 000
amber		210 03 10 4 000	210 03 16 4 000	210 03 65 4 000	210 03 80 4 000
red		210 03 10 5 000	210 03 16 5 000	210 03 65 5 000	210 03 80 5 000
Article numbers		WBL-PX			
Lens colour	Rated voltage	230 V AC			
yellow		210 03 10 3 175			

Article numbers for other colours and voltages on request

Options / accessories



See pages 120/121 for further information

Article number:
287 10 50 0 041

Conformity to standards

The visual characteristics of flashing lights conform to the European standard DIN EN 842: 'Machine safety – visual alarm signals'. Requirements contained in the DIN EN 981 standard: 'Machine safety – system of acoustic and visual alarm and information signals', can be fulfilled. The colours 'red' for the emergency signal and 'yellow' for the warning signal conform to the requirements of IEC 73 / DIN EN 60073 / VDE 0199: 'Coding of display devices and control elements using colours and supplementary means'.

References to visual alarm devices can be found in the following standards:

EN 60825-1	Radiation safety of laser devices, identical to IEC 825 and DIN-VDE 0837
DIN EN 54	Fire alarm systems
DIN 54113-2	Radiation protection regulations for the technical operation of X-ray equipment up to 500 kV