

E2xL25F PA Loudspeaker 25W

The hazardous area E2xL25F PA loudspeaker is UL/cULs approved for Class I Div 2 and Class II Div 2 as well as IECEx and ATEX certified for Zone 2 and 22 applications.

The E2xL25F is available with either a 70V or 100V line transformer or as a low impedance loudspeaker.

The E2x range features enclosures manufactured from lightweight, corrosion proof PPS and high impact, fire retardant ABS re-entrant flare horns; both of which are suitable for the harshest of environments.

Features

- Very large termination area.
- Ratchet adjustable stainless steel 'U' bracket.
- Transformer type fitted with thermal fuse
- Complies with BS5839 part 8

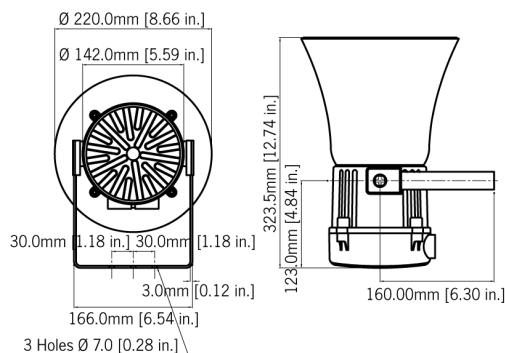
Approvals

- ATEX certificate: DEMKO 06 ATEX 0421554X,
- IECEx certificate: IECEx ULD 14.0012X
- UL/cUL File ref: E230764
- CSFM listing: 7136-2279:0505

Coding

- IECEx / ATEX:
 - II 3G Ex nA IIC T2 Gc Ta -20°C to +55°C
 - II 3D Ex tc IIIC 85°C Dc Ta -20°C to +40°C
 - II 3D Ex tc IIIC 100°C Dc Ta -20°C to +55°C
- NEC Class / Zone ratings US:
 - Class I Zone 2 AEx nA IIC T2 Gc Ta -20°C to +55°C
 - Zone 22 AEx tc IIIC T85°C Dc Ta -20°C to +40°C
 - Zone 22 AEx tc IIIC 100°C Dc Ta -20°C to +55°C
- CEC Class / Zone ratings Canada
 - Ex nA IIC T2 Gc Ta -20°C to +55°C
 - Ex tc IIIC 85°C Dc Ta -20°C to +40°C
 - Ex tc IIIC 100°C Dc Ta -20°C to +55°C
- NEC & CEC Class / Division Ratings for US / Canada
 - Class I, Div 2, ABCD T2C Ta -20°C to +55°C
 - Class I, Div 2, ABCD T2D Ta -20°C to +40°C
 - Class II, Div 2, FG T5 Ta -20°C to +55°C
 - Class II, Div 2, FG T6 Ta -20°C to +40°C
 - Class III, Div 1&2 Ta -20°C to +55°C





Specification

SPL: 111dB +/-3dB @ 1w @ 1m (Pink)
124dB +/-3dB @ 25w @ 1m (Rated)

Rated power: 25 Watts RMS

70v line tapings: 25w / 12.5w / 6w / 2w tapings
(z=196 Ohms / 392 Ohms /
816.67 Ohms / 2.45k Ohms)

100v line tapings: 25w / 12.5w / 6w / 2w tapings
(z=400 Ohms / 800 Ohms /
1.67k Ohms / 5k Ohms)

Low impedance: 8 Ohm or 16 Ohm

Dispersion: 130° @ 1kHz & 32° @ 4kHz

Frequency range: 300Hz to 8000 Hz

DC Line monitoring: 2.2 μ F Capacitor
(Transformer version)

Ingress protection: IP rating per EN60079-0:IP64
IP rating per EN60529:IP66
Type rating per UL50E/NEMA250:4/4X/13

Enclosure material: UL94V0 PPS & ABS

Cable entries: Dual M20x1.5 or 1/2"NPT

Terminals: 0.5 - 2.5mm² (20-14 AWG)

Operating temp: -20 to +55°C [-4° to +131°F]

Storage temp: -40 to +70°C [-40° to +158°F]

Relative humidity: 90% at 20°C [68°F]

Weight: Low impedance: 2.75kg/6.05lbs
Transformer: 3.25kg/7.15lbs

*SPL data +/-3dB(A). Measured at optimum voltage.

Part Codes

Part Code: Ident.: Description:

Product type: E2XL25

Horn type: F Flare Horn

Type: V100 100V Line
V070 70V Line
R008 8 Ohm Low impedance
R016 16 Ohm Low impedance

Cable entries: A M20x1.5 & 1/2" NPT
B M20x1.5 & M20x1.5
C 1/2" NPT & 1/2" NPT

Stopping plug material: N Nylon

Bracket & tag: [s] 1 304 A2 Stainless Steel
2 316 A4 Stainless Steel
3 304 A2 Stainless Steel & Equip. Tag
4 316 A4 Stainless Steel & Equip. Tag

Approvals: A1 UL, cULs, IECEx & ATEX

Enclosure: B Black