

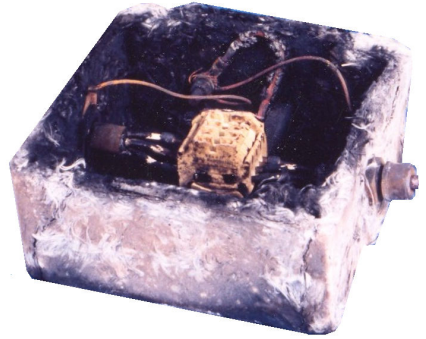
# BPG

The BPG range comprises 16 sizes of enclosure manufactured in glass reinforced polyester (GRP). This material is highly resistant to contamination from oils, fats, aliphatic and aromatic carbohydrates, bacteria and enzymes. It is also suitable for LSOH (low smoke zero halogen) applications.

Polyester gives excellent mechanical strength and life expectancy. The wall thickness is sufficient to allow tapped entry holes to be machined in the walls of the enclosure and it provides a very good alternative to aluminium or cast iron.



ABTECH mould the BPG range from SMC material rather than DMC which is the most common form of GRP. In this method the glass reinforcement takes the form of sheets rather than short strands. This gives much greater mechanical strength and also in the event of the enclosure being exposed to fire conditions the structure holds together even if the resin is depleted due to the elevated temperatures. This is demonstrated by the fact that the BPG range when fitted with ceramic terminals meets the requirements of IEC 331 (750°C (1382°F) for 3 hours) and also BS6387/1983 (950°C (1742°F) for 3 hours - flame only). Further information about this testing procedure can be found in Section 6 of this catalogue.



Due to the enclosure's labyrinth seal system, whereby the seal is protected from external forces, the BPG range has excellent ingress protection qualities which mean that the enclosures are tested to and passed IP66/67. They have also undergone and passed the Shell/ERA deluge test which was devised to adequately test enclosures and electrical equipment which is routinely subjected to ship decks conditions or fire deluge systems.

The mounting holes, although contained within the profile of the enclosure, sit outside the seal and all external fasteners and fixings are manufactured from 316 grade stainless steel to ensure reliability.

The BPG range has many features which lend itself to a whole host of applications including both industrial and hazardous area junction boxes, OEM applications, fire protection systems, tunnel wiring etc.

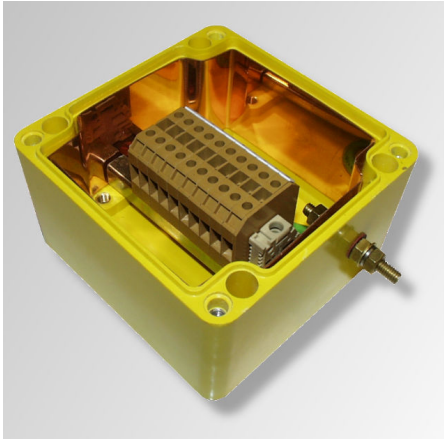
The BPG range can be machined, drilled, tapped with various thread forms, painted and of course it can be moulded in a variety of colours which gives a much improved durability of colour over painting.

The BPG range is also available carbon loaded (BPGC) which helps to reduce the surface resistance of the material and consequently reduce the risk of spark from static build up.

Earthing can be accomplished by various means. Internal / external earth stud which in turn can be connected to the terminal mounting rail or component mounting plate, an earth continuity plate (ECP) can be fitted around the inner walls to provide continuity for cable glands and various rail mounted earth terminals or proprietary earth bars can be fitted inside the enclosure.

The BPG range is suitable for a wide range of ambient conditions. Hazardous Area certified enclosures are suitable for -65°C to + 130°C. Non-Ex versions are suitable from -60°C to + 130°C. For certified apparatus contact the ABTECH Sales department for ambient operating temperatures.

The BPG and BPGC enclosures are suitable for use in hazardous areas and can be supplied with a number of certificates, specifically ATEX EEx'e' to BS EN 50019 (zone 1 & 2) EEx'nA' to BS EN50021 (zone 2) and NEMA 4X (CSA, UL & FM class 1, div 2).



The BPG range can be supplied fitted with any component approved terminal to apparatus level or can be supplied empty as component approved for the clients own certification requirements.

### BPG Range Features

- Wide Operating Temperature (-60°C to + 130°C) (-76°F to +266°F)
- Ingress Protection up to IP67
- Fire Resistant to IEC331
- Impact Resistant > 7Nm
- UV Resistant
- Can be drilled and tapped to accommodate most thread forms (NPT for example)
- UL, CSA, IEC Ex, ATEX, InMetro and TR CU Approvals
- Ideal for Petrochemical and Marine applications

### Certification and Coding

	Zone 0	Zone 20	Zone 1	Zone 21	Zone 2	Zone 22
Ex e			•	•	•	•
Ex ai	•	•	•	•	•	•
Ex ab			•	•	•	•
Ex nA					•	•
Ex nR					•	•

Available with Apparatus or Component certification

## Accessories and Options

The following table is a list of the available accessories suitable for particular standard sizes of BPG enclosures. Care should be taken when ordering accessories for use with enclosures intended for hazardous areas to ensure that compliance with certification is retained.

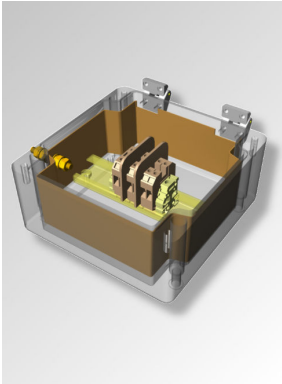
Part Number	Width (mm)	Height (mm)	Depth (mm)	C - Carbon Loaded (see note 1)	EX - Ex Certified (see note 2)	EC - Earth Continuity Plate	ES - Earth Stud	AS - Allen Head Fixing Screws	TP - Tamper Proof Screws	EH - External Hinges	MP - Component Mounting Plate	MF - External Mounting Feet	EB - Internal Earthing Bar	MR - DIN Standard Mounting Rail	RF - RFI Protection (see note 4)
BPG1	80	75	55	●	●			●	●	●	●	●		●	●
BPG2	110	75	55	●	●			●	●	●	●	●		●	●
BPG3	160	75	55	●	●			●	●	●	●	●		●	●
BPG4	190	75	55	●	●			●	●	●	●	●		●	●
BPG4.5	190	75	75	●	●			●	●	●	●	●		●	●
BPG5	230	75	55	●	●			●	●	●	●	●		●	●
BPG6	122	120	90	●	●	●	●	●	●	●	●	●	●	●	●
BPG7	220	120	90	●	●	●	●	●	●	●	●	●	●	●	●
BPG8	160	160	90	●	●	●	●	●	●	●	●	●	●	●	●
BPG9	260	160	90	●	●	●	●	●	●	●	●	●	●	●	●
BPG10	360	160	90	●	●	●	●	●	●	●	●	●	●	●	●
BPG11	560	160	90	●	●	●	●	●	●	●	●	●	●	●	●
BPG12	255	250	120	●	●	●	●	●	●	●	●	●	●	●	●
BPG13	400	250	120	●	●	●	●	●	●	●	●	●	●	●	●
BPG13.5	400	250	160	●	●	●	●	●	●	●	●	●	●	●	●
BPG14	600	250	120	●	●	●	●	●	●	●	●	●	●	●	●
BPG15	400	405	120	●	●	●	●	●	●	●	●	●	●	●	●

Ordering Example;

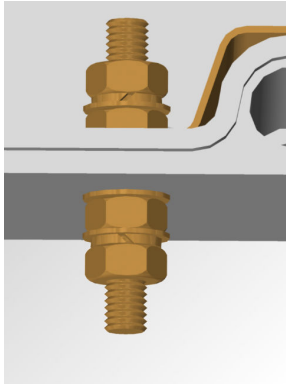
**BPG8 EX EC EB MR**

(BPG8 EX Certified with Earth Continuity Plate, Internal Earthing Bar and DIN standard Mounting Rail)

1. Carbon loading gives a surface tracking value of between 10MΩ and 10GΩ. Surface colour is black.
2. EEx'e certification may be component or apparatus certified - please specify your requirements.
3. Radio Frequency Interference (RF) gasket may reduce IP rating. Enclosure may also be internally coated with RFI material.



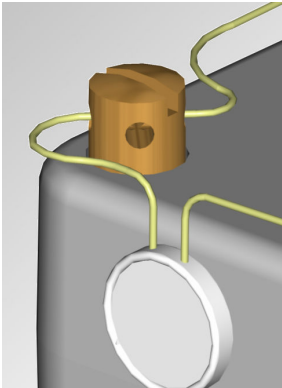
Copper earth continuity plate  
(must also be fitted with earth stud)



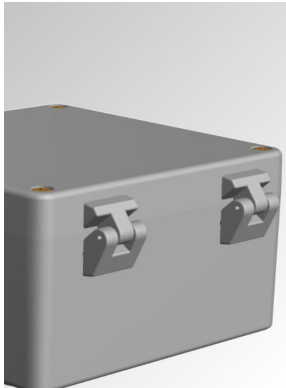
Earth Stud  
(either brass or stainless steel)



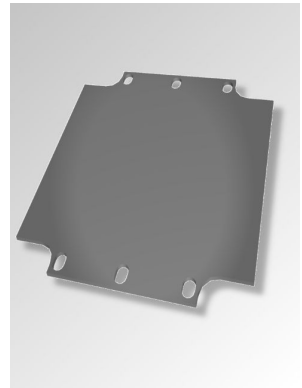
Allen Head fixing screws  
(grade 316)



Tamper-proof screws



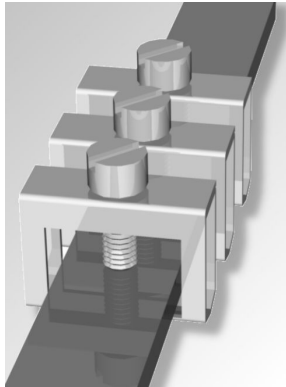
External hinges



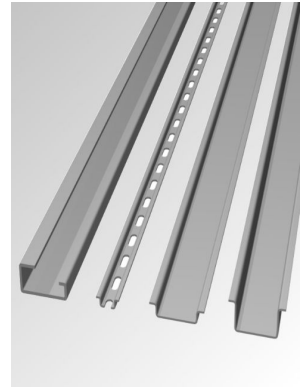
Component mounting plate  
(tufnol as standard, steel an option)



External mounting feet  
(stainless steel 316)



Internal Earthing bar  
(can be fitted with clamps)



DIN standard mounting rail  
(TS15, TS32 or TS35)

### Application

Hazardous and Industrial areas

### Protection Degree

IP66 or 67

### Certification

ATEX & IECEx (Zone 1 & 2; Zone 21 & 22)

TR CU

NEMA 4X (CSA, UL & FM) Class 1 Division 2

### Material

Glass Reinforced Polyester (RAL7001 grey) or

Carbon Loaded Glass Reinforced Polyester (Black)

### Temperature Rating

Hazardous Area: -65°C to +130°C

Non Hazardous: -70°C to +130°C

### Power Rating

8.390W



### Terminal Populations (Maximum Number of Rails = 1)

Calculations do not include the use of end stops, end plates and separators. Check that the enclosure can accommodate the cable bending radius and that the earth stud and entry location will permit the required number of terminals to be fitted

Weidmuller		Entelec		Wago	
BK4 (4 way)	2	MA2.5/5	0	280-992	0
BK6 (6 way)	1	M4/6	0	280-999	0
BK12 (12 way)	1	M6/8	0	281-691	0
MK 6/3	1	M10/10	0	281-992	0
MK 6/4	1	M16/12	0	281-993	0
MK 6/6	1	M35/16	0	282-691	0
SAK 2.5	0			284-691	0
SAK 4	0			283-691	0
SAK 6N	0			285-691	0
SAK 10	0			280-998	0
SAK 16	0			281-998	0
SAK 35	0			264-120	12
				264-220	7
				264-132(2)	2
				264-134(4)	1
				262-132(2)	2
				264-134(4)	1

### Drilling Envelope Dimensions (mm)

	Side A - C	Side B - D
Width	50	26
Height	36	30

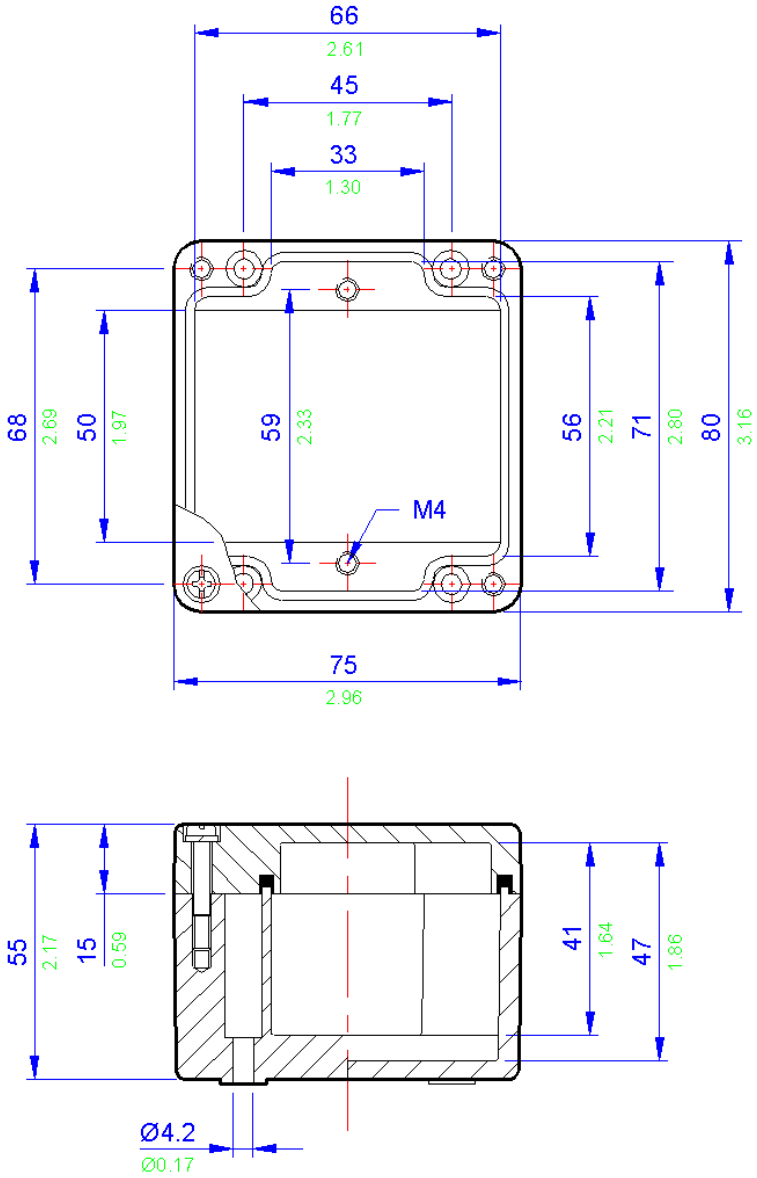
### Gland Entry Matrix \*

Size	Side A - C	Side B - D
M16	1	0
M20	0	0
M25	0	0
M32	0	0
M40	0	0

\* Using standard gland clearances

### Specifications

Part Number	Material	Width (mm)	Length (mm)	Depth (mm)	Weight (g)
BPG1	GRP	80	75	55	230
BPGc1	Carbon Loaded GRP	80	75	55	230



All blue dimensions in mm, all green dimensions in decimal inches (drawing not to scale)



### Application

Hazardous and Industrial areas

### Protection Degree

IP66 or 67

### Certification

ATEX & IECEx (Zone 1 & 2; Zone 21 & 22)

TR CU

NEMA 4X (CSA, UL & FM) Class 1 Division 2

### Material

Glass Reinforced Polyester (RAL7001 grey) or

Carbon Loaded Glass Reinforced Polyester (Black)

### Temperature Rating

Hazardous Area: -65°C to +130°C

Non Hazardous: -70°C to +130°C

### Power Rating

8.551W



### Terminal Populations (Maximum Number of Rails = 1)

Calculations do not include the use of end stops, end plates and separators. Check that the enclosure can accommodate the cable bending radius and that the earth stud and entry location will permit the required number of terminals to be fitted

Weidmuller	
BK4 (4 way)	2
BK6 (6 way)	1
BK12 (12 way)	1
MK 6/3	1
MK 6/4	1
MK 6/6	1
SAK 2.5	0
SAK 4	0
SAK 6N	0
SAK 10	0
SAK 16	0
SAK 35	0

Entelec	
MA2.5/5	0
M4/6	0
M6/8	0
M10/10	0
M16/12	0
M35/16	0

Wago	
280-992	0
280-999	0
281-691	0
281-992	0
281-993	0
282-691	0
284-691	0
283-691	0
285-691	0
280-998	0
281-998	0
264-120	12
264-220	7
264-132(2)	2
264-134(4)	1
262-132(2)	2
264-134(4)	1

### Drilling Envelope Dimensions (mm)

	Side A - C	Side B - D
Width	80	26
Height	36	30

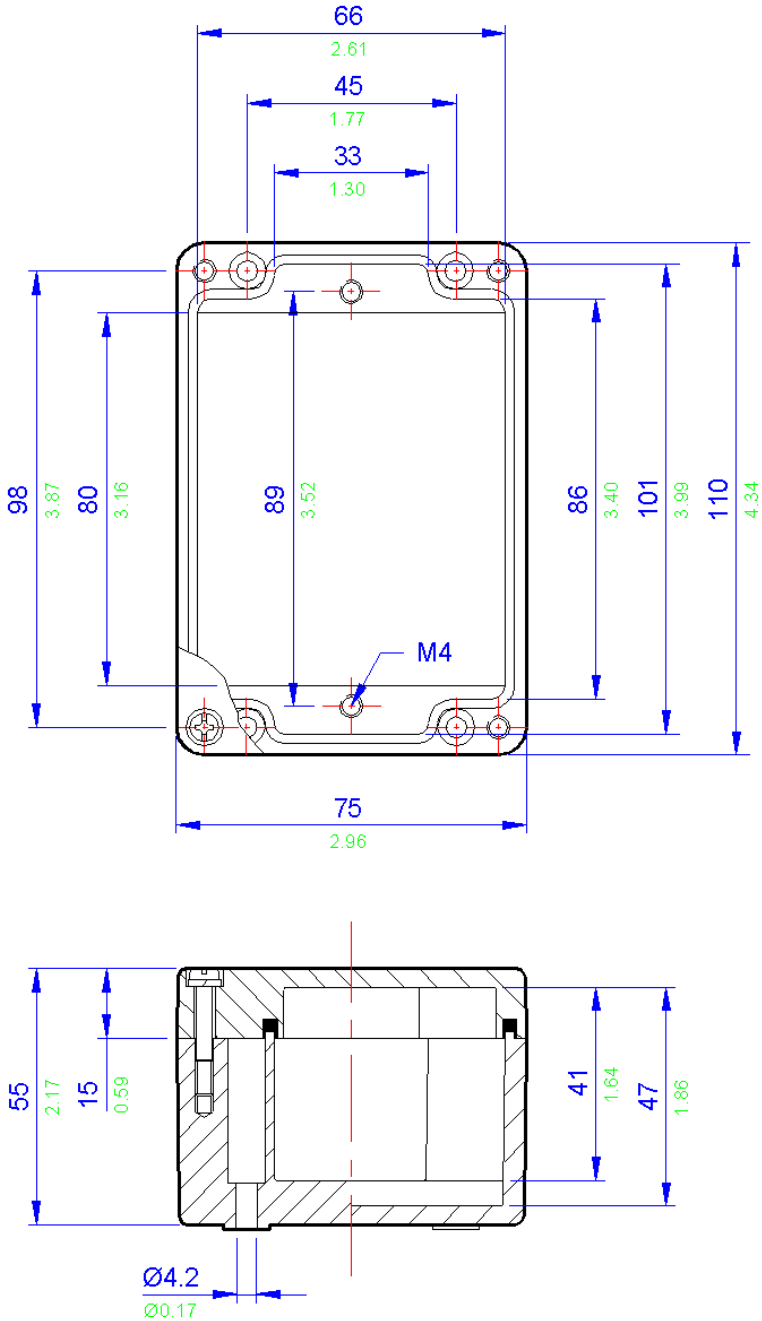
### Gland Entry Matrix \*

Size	Side A - C	Side B - D
M16	2	0
M20	0	0
M25	0	0
M32	0	0
M40	0	0

\* Using standard gland clearances

### Specifications

Part Number	Material	Width (mm)	Length (mm)	Depth (mm)	Weight (g)
BPG2	GRP	110	75	55	230
BPGC2	Carbon Loaded GRP	110	75	55	230



All blue dimensions in mm, all green dimensions in decimal inches (drawing not to scale)

**Application**

Hazardous and Industrial areas

**Protection Degree**

IP66 or 67

**Certification**

ATEX & IECEx (Zone 1 & 2; Zone 21 & 22)

TR CU

NEMA 4X (CSA, UL & FM) Class 1 Division 2

**Material**

Glass Reinforced Polyester (RAL7001 grey) or

Carbon Loaded Glass Reinforced Polyester (Black)

**Temperature Rating**

Hazardous Area: -65°C to +130°C

Non Hazardous: -70°C to +130°C

**Power Rating**

8.833W



**Terminal Populations (Maximum Number of Rails = 1)**

Calculations do not include the use of end stops, end plates and separators. Check that the enclosure can accommodate the cable bending radius and that the earth stud and entry location will permit the required number of terminals to be fitted

Weidmuller	
BK4 (4 way)	3
BK6 (6 way)	2
BK12 (12 way)	1
MK 6/3	2
MK 6/4	2
MK 6/6	1
SAK 2.5	0
SAK 4	0
SAK 6N	0
SAK 10	0
SAK 16	0
SAK 35	0

Entrelec	
MA2.5/5	0
M4/6	0
M6/8	0
M10/10	0
M16/12	0
M35/16	0

Wago	
280-992	0
280-999	0
281-691	0
281-992	0
281-993	0
282-691	0
284-691	0
283-691	0
285-691	0
280-998	0
281-998	0
264-120	19
264-220	11
264-132(2)	4
264-134(4)	3
262-132(2)	4
264-134(4)	3

**Drilling Envelope Dimensions (mm)**

	Side A - C	Side B - D
Width	130	27
Height	36	29

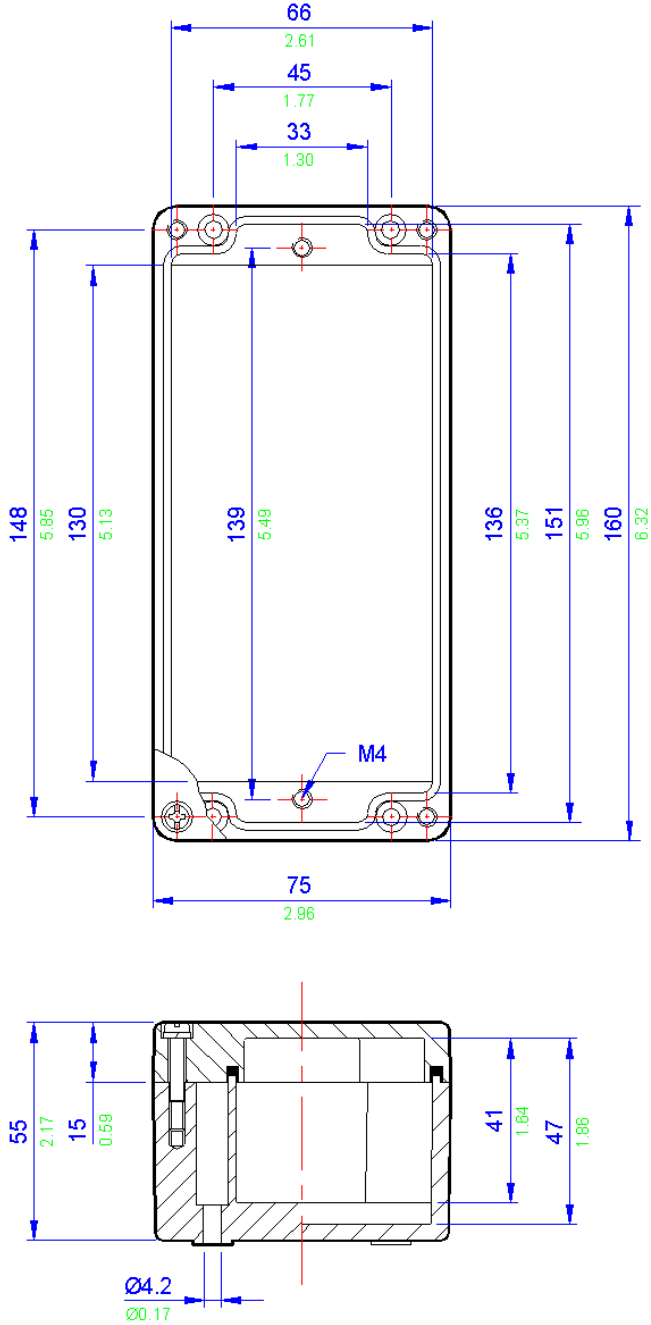
**Gland Entry Matrix \***

Size	Side A - C	Side B - D
M16	4	0
M20	0	0
M25	0	0
M32	0	0
M40	0	0

\* Using standard gland clearances

**Specifications**

Part Number	Material	Width (mm)	Length (mm)	Depth (mm)	Weight (g)
BPG3	GRP	160	75	55	405
BPGC3	Carbon Loaded GRP	160	75	55	405



All blue dimensions in mm, all green dimensions in decimal inches (drawing not to scale)

### Application

Hazardous and Industrial areas

### Protection Degree

IP66 or 67

### Certification

ATEX & IECEx (Zone 1 & 2; Zone 21 & 22)

TR CU

NEMA 4X (CSA, UL & FM) Class 1 Division 2

### Material

Glass Reinforced Polyester (RAL7001 grey) or

Carbon Loaded Glass Reinforced Polyester (Black)

### Temperature Rating

Hazardous Area: -65°C to +130°C

Non Hazardous: -70°C to +130°C

### Power Rating

9,012W



### Terminal Populations (Maximum Number of Rails = 1)

Calculations do not include the use of end stops, end plates and separators. Check that the enclosure can accommodate the cable bending radius and that the earth stud and entry location will permit the required number of terminals to be fitted

Weidmuller	
BK4 (4 way)	4
BK6 (6 way)	2
BK12 (12 way)	1
MK 6/3	3
MK 6/4	3
MK 6/6	2
SAK 2.5	0
SAK 4	0
SAK 6N	0
SAK 10	0
SAK 16	0
SAK 35	0

Entrelec	
MA2.5/5	0
M4/6	0
M6/8	0
M10/10	0
M16/12	0
M35/16	0

Wago	
280-992	0
280-999	0
281-691	0
281-992	0
281-993	0
282-691	0
284-691	0
283-691	0
285-691	0
280-998	0
281-998	0
264-120	25
264-220	15
264-132(2)	5
264-134(4)	3
262-132(2)	5
264-134(4)	3

### Drilling Envelope Dimensions (mm)

	Side A - C	Side B - D
Width	160	27
Height	36	30

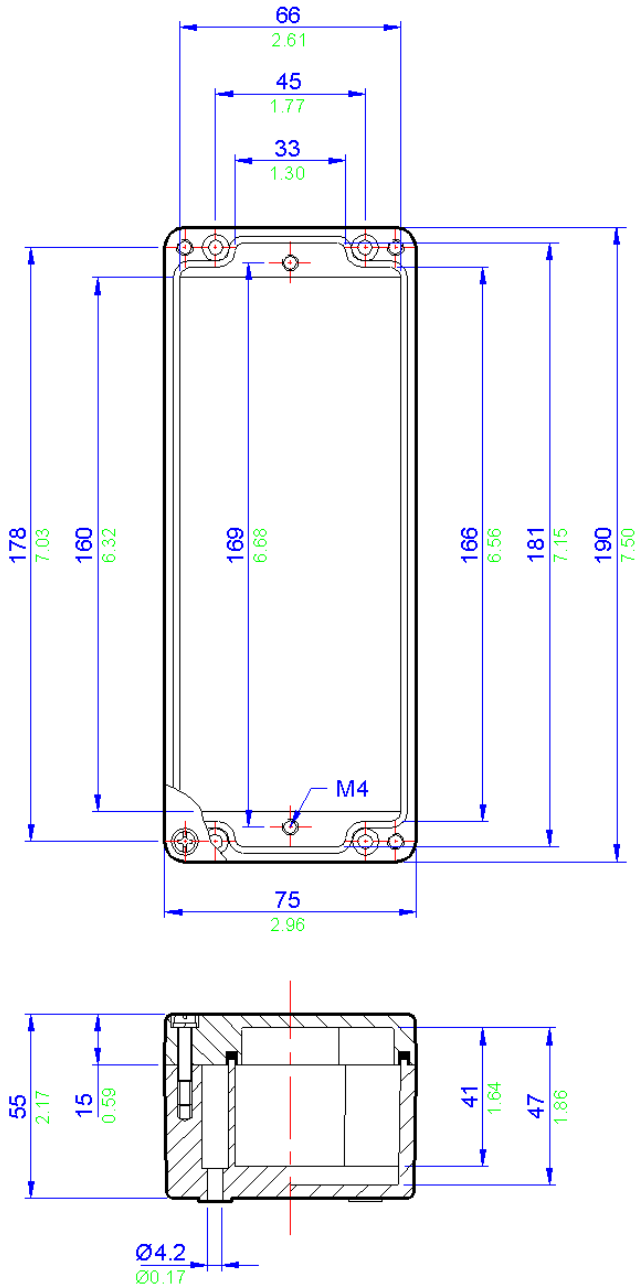
### Gland Entry Matrix \*

Size	Side A - C	Side B - D
M16	5	0
M20	0	0
M25	0	0
M32	0	0
M40	0	0

\* Using standard gland clearances

### Specifications

Part Number	Material	Width (mm)	Length (mm)	Depth (mm)	Weight (g)
BPG4	GRP	190	75	55	450
BPGc4	Carbon Loaded GRP	190	75	55	450



All blue dimensions in mm, all green dimensions in decimal inches (drawing not to scale)

### Application

Hazardous and Industrial areas

### Protection Degree

IP66 or 67

### Certification

ATEX & IECEx (Zone 1 & 2; Zone 21 & 22)

TR CU

NEMA 4X (CSA, UL & FM) Class 1 Division 2

### Material

Glass Reinforced Polyester (RAL7001 grey) or

Carbon Loaded Glass Reinforced Polyester (Black)

### Temperature Rating

Hazardous Area: -65°C to +130°C

Non Hazardous: -70°C to +130°C

### Power Rating

9.260W



### Terminal Populations (Maximum Number of Rails = 1)

Calculations do not include the use of end stops, end plates and separators. Check that the enclosure can accommodate the cable bending radius and that the earth stud and entry location will permit the required number of terminals to be fitted

Weidmuller	
BK4 (4 way)	4
BK6 (6 way)	3
BK12 (12 way)	1
MK 6/3	3
MK 6/4	3
MK 6/6	2
SAK 2.5	0
SAK 4	0
SAK 6N	0
SAK 10	0
SAK 16	0
SAK 35	0

Entrelec	
MA2.5/5	0
M4/6	0
M6/8	0
M10/10	0
M16/12	0
M35/16	0

Wago	
280-992	0
280-999	0
281-691	0
281-992	0
281-993	0
282-691	0
284-691	0
283-691	0
285-691	0
280-998	28
281-998	24
264-120	25
264-220	15
264-132(2)	6
264-134(4)	4
262-132(2)	6
264-134(4)	4

### Drilling Envelope Dimensions (mm)

	Side A - C	Side B - D
Width	55	52
Height	160	19

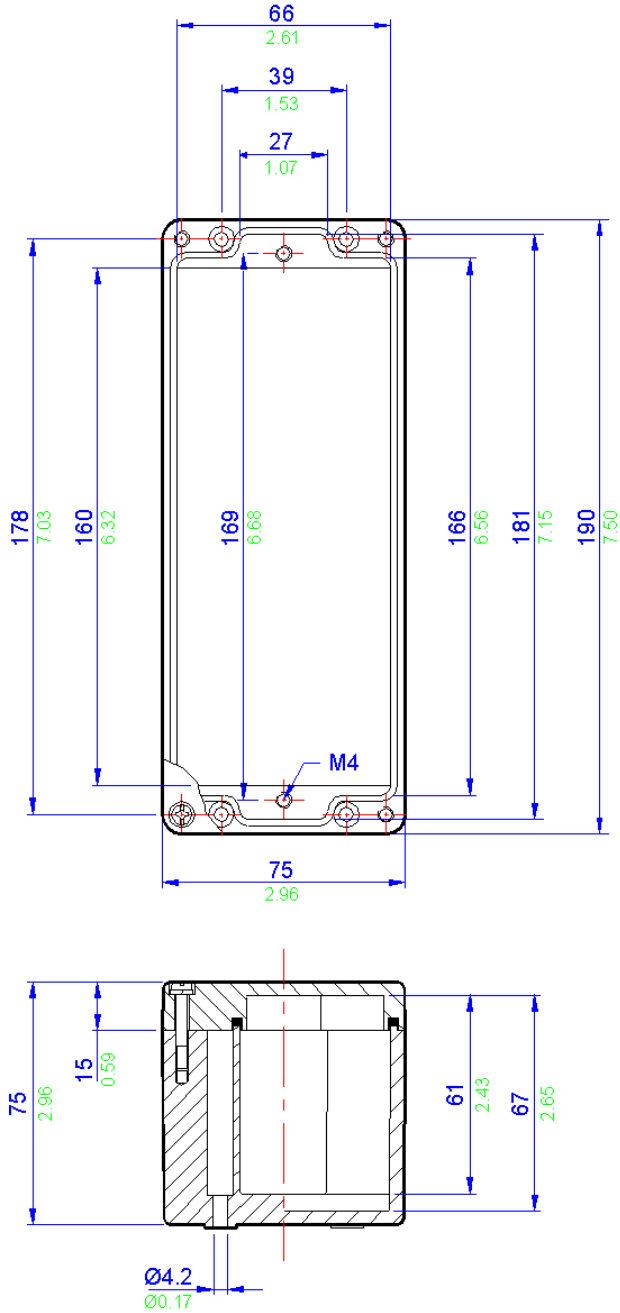
### Gland Entry Matrix \*

Size	Side A - C	Side B - D
M16	6	0
M20	4	0
M25	3	0
M32	0	0
M40	0	0

\* Using standard gland clearances

### Specifications

Part Number	Material	Width (mm)	Length (mm)	Depth (mm)	Weight (g)
BPG4.5	GRP	190	75	75	529
BPGc4.5	Carbon Loaded GRP	190	75	75	529



All blue dimensions in mm, all green dimensions in decimal inches (drawing not to scale)



# BPG5 / BPGc5

Glass Reinforced Polyester Enclosures

IP66/7

Glass Reinforced Polyester Enclosures

## Application

Hazardous and Industrial areas

## Protection Degree

IP66 or 67

## Certification

ATEX & IECEx (Zone 1 & 2; Zone 21 & 22)

TR CU

NEMA 4X (CSA, UL & FM) Class 1 Division 2

## Material

Glass Reinforced Polyester (RAL7001 grey) or

Carbon Loaded Glass Reinforced Polyester (Black)

## Temperature Rating

Hazardous Area: -65°C to +130°C

Non Hazardous: -70°C to +130°C

## Power Rating

9.260W



## Terminal Populations (Maximum Number of Rails = 1)

Calculations do not include the use of end stops, end plates and separators. Check that the enclosure can accommodate the cable bending radius and that the earth stud and entry location will permit the required number of terminals to be fitted

Weidmuller	
BK4 (4 way)	0
BK6 (6 way)	4
BK12 (12 way)	2
MK 6/3	4
MK 6/4	4
MK 6/6	2
SAK 2.5	0
SAK 4	0
SAK 6N	0
SAK 10	0
SAK 16	0
SAK 35	0

Entrelec	
MA2.5/5	0
M4/6	0
M6/8	0
M10/10	0
M16/12	0
M35/16	0

Wago	
280-992	0
280-999	0
281-691	0
281-992	0
281-993	0
282-691	0
284-691	0
283-691	0
285-691	0
280-998	0
281-998	0
264-120	32
264-220	19
264-132(2)	6
264-134(4)	4
262-132(2)	6
264-134(4)	4

## Drilling Envelope Dimensions (mm)

	Side A - C	Side B - D
Width	90	23
Height	30	28

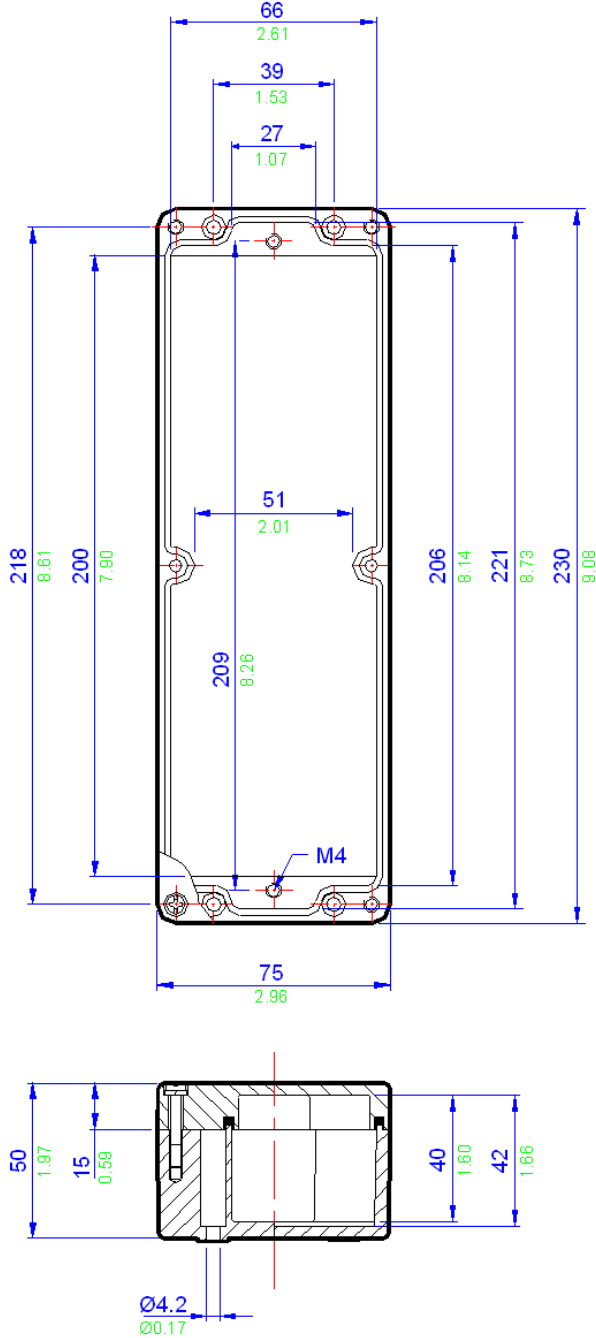
## Gland Entry Matrix \*

Size	Side A - C	Side B - D
M16	0	0
M20	0	0
M25	0	0
M32	0	0
M40	0	0

\* Using standard gland clearances

## Specifications

Part Number	Material	Width (mm)	Length (mm)	Depth (mm)	Weight (g)
BPG5	GRP	230	75	55	529
BPGc5	Carbon Loaded GRP	230	75	55	529



All blue dimensions in mm, all green dimensions in decimal inches (drawing not to scale)

# BPG6 / BPGc6

Glass Reinforced Polyester Enclosures

IP66/7

Glass Reinforced Polyester Enclosures

## Application

Hazardous and Industrial areas

## Protection Degree

IP66 or 67

## Certification

ATEX & IECEx (Zone 1 & 2; Zone 21 & 22)

TR CU

NEMA 4X (CSA, UL & FM) Class 1 Division 2

## Material

Glass Reinforced Polyester (RAL7001 grey) or

Carbon Loaded Glass Reinforced Polyester (Black)

## Temperature Rating

Hazardous Area: -65°C to +130°C

Non Hazardous: -70°C to +130°C

## Power Rating

9,378W



## Terminal Populations (Maximum Number of Rails = 1)

Calculations do not include the use of end stops, end plates and separators. Check that the enclosure can accommodate the cable bending radius and that the earth stud and entry location will permit the required number of terminals to be fitted

Weidmüller	
BK4 (4 way)	2
BK6 (6 way)	2
BK12 (12 way)	1
MK 6/3	1
MK 6/4	1
MK 6/6	1
SAK 2.5	14
SAK 4	13
SAK 6N	10
SAK 10	8
SAK 16	7
SAK 35	5

Entrelec	
MA2.5/5	17
M4/6	14
M6/8	8
M10/10	8
M16/12	7
M35/16	5

Wago	
280-992	15
280-999	15
281-691	13
281-992	13
281-993	13
282-691	10
284-691	8
283-691	6
285-691	0
280-998	15
281-998	13
264-120	13
264-220	8
264-132(2)	3
264-134(4)	2
262-132(2)	3
264-134(4)	2

## Drilling Envelope Dimensions (mm)

	Side A - C	Side B - D
Width	75	54
Height	60	53

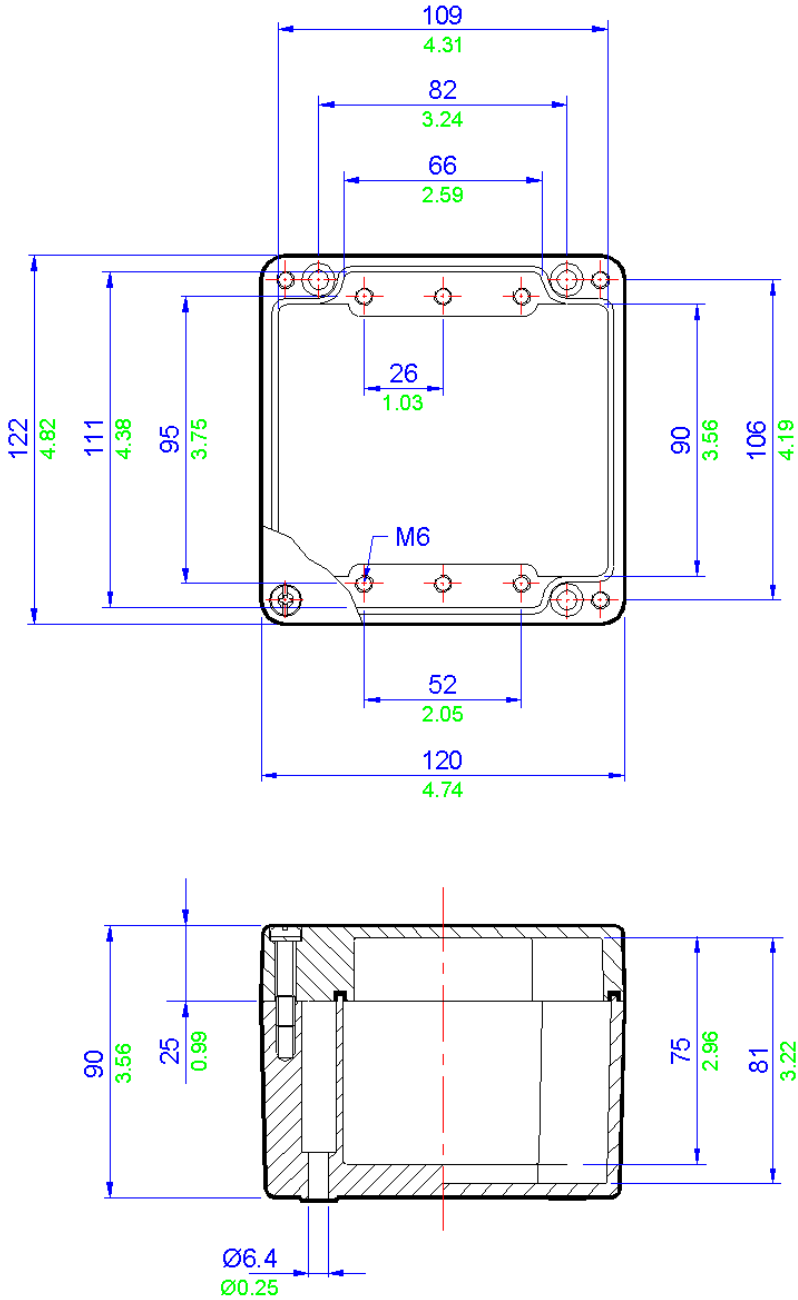
## Gland Entry Matrix \*

Size	Side A - C	Side B - D
M16	2	1
M20	1	1
M25	1	1
M32	1	0
M40	0	0

\* Using standard gland clearances

## Specifications

Part Number	Material	Width (mm)	Length (mm)	Depth (mm)	Weight (g)
BPG6	GRP	122	120	90	750
BPGc6	Carbon Loaded GRP	122	120	90	750



All blue dimensions in mm, all green dimensions in decimal inches (drawing not to scale)

### Application

Hazardous and Industrial areas

### Protection Degree

IP66 or 67

### Certification

ATEX & IECEx (Zone 1 & 2; Zone 21 & 22)

TR CU

NEMA 4X (CSA, UL & FM) Class 1 Division 2

### Material

Glass Reinforced Polyester (RAL7001 grey) or Carbon Loaded Glass Reinforced Polyester (Black)

### Temperature Rating

Hazardous Area: -65°C to +130°C

Non Hazardous: -70°C to +130°C

### Power Rating

10.500W



### Terminal Populations (Maximum Number of Rails = 1)

Calculations do not include the use of end stops, end plates and separators. Check that the enclosure can accommodate the cable bending radius and that the earth stud and entry location will permit the required number of terminals to be fitted

Weidmüller	
BK4 (4 way)	5
BK6 (6 way)	3
BK12 (12 way)	2
MK 6/3	4
MK 6/4	4
MK 6/6	2
SAK 2.5	30
SAK 4	28
SAK 6N	22
SAK 10	18
SAK 16	15
SAK 35	11

Entrelec	
MA2.5/5	36
M4/6	30
M6/8	22
M10/10	18
M16/12	15
M35/16	11

Wago	
280-992	34
280-999	34
281-691	29
281-992	29
281-993	29
282-691	22
284-691	18
283-691	15
285-691	0
280-998	34
281-998	29
264-120	30
264-220	18
264-132(2)	6
264-134(4)	4
262-132(2)	6
264-134(4)	4

### Drilling Envelope Dimensions (mm)

	Side A - C	Side B - D
Width	180	56
Height	60	53

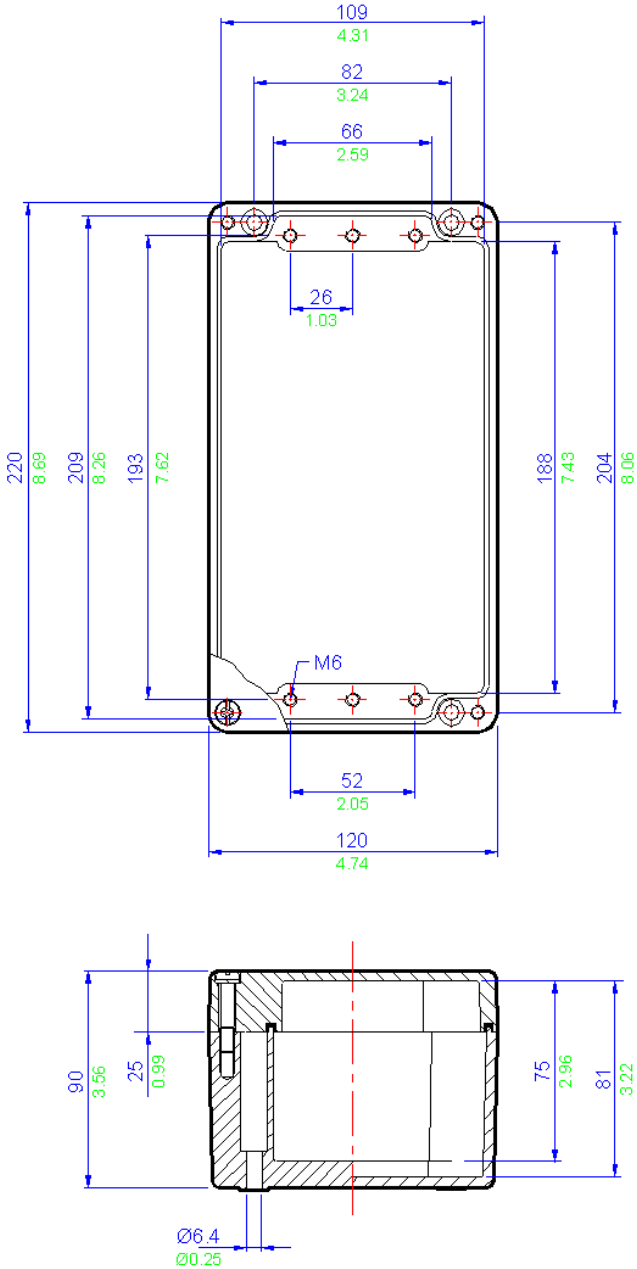
### Gland Entry Matrix \*

Size	Side A - C	Side B - D
M16	10	1
M20	4	1
M25	3	1
M32	3	0
M40	0	0

\* Using standard gland clearances

### Specifications

Part Number	Material	Width (mm)	Length (mm)	Depth (mm)	Weight (g)
BPG7	GRP	220	120	90	1060
BPGC7	Carbon Loaded GRP	220	120	90	1060



All blue dimensions in mm, all green dimensions in decimal inches (drawing not to scale)

### Application

Hazardous and Industrial areas

### Protection Degree

IP66 or 67

### Certification

ATEX & IECEx (Zone 1 & 2; Zone 21 & 22)

TR CU

NEMA 4X (CSA, UL & FM) Class 1 Division 2

### Material

Glass Reinforced Polyester (RAL7001 grey) or

Carbon Loaded Glass Reinforced Polyester (Black)

### Temperature Rating

Hazardous Area: -65°C to +130°C

Non Hazardous: -70°C to +130°C

### Power Rating

10.348W



### Terminal Populations (Maximum Number of Rails = 1)

Calculations do not include the use of end stops, end plates and separators. Check that the enclosure can accommodate the cable bending radius and that the earth stud and entry location will permit the required number of terminals to be fitted

Weidmüller	
BK4 (4 way)	3
BK6 (6 way)	2
BK12 (12 way)	1
MK 6/3	2
MK 6/4	2
MK 6/6	1
SAK 2.5	20
SAK 4	19
SAK 6N	15
SAK 10	12
SAK 16	10
SAK 35	7

Entrelec	
MA2.5/5	24
M4/6	20
M6/8	15
M10/10	12
M16/12	10
M35/16	7

Wago	
280-992	22
280-999	22
281-691	19
281-992	19
281-993	19
282-691	15
284-691	12
283-691	10
285-691	0
280-998	22
281-998	19
264-120	20
264-220	12
264-132(2)	4
264-134(4)	3
262-132(2)	4
264-134(4)	2

### Drilling Envelope Dimensions (mm)

	Side A - C	Side B - D
Width	108	78
Height	65	58

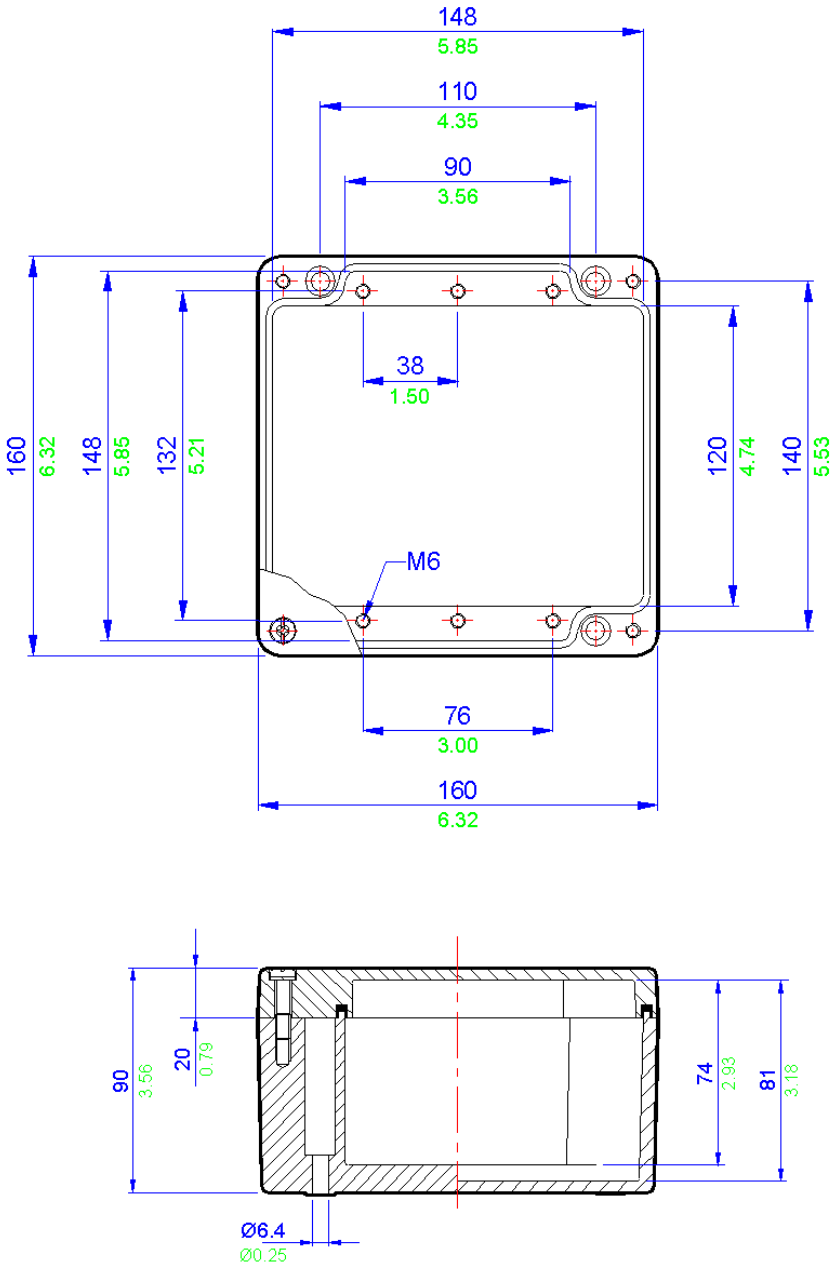
### Gland Entry Matrix \*

Size	Side A - C	Side B - D
M16	6	2
M20	2	2
M25	2	1
M32	1	1
M40	0	0

\* Using standard gland clearances

### Specifications

Part Number	Material	Width (mm)	Length (mm)	Depth (mm)	Weight (g)
BPG8	GRP	160	160	90	1060
BPGc8	Carbon Loaded GRP	160	160	90	1060



All blue dimensions in mm, all green dimensions in decimal inches (drawing not to scale)



**Application**

Hazardous and Industrial areas

**Protection Degree**

IP66 or 67

**Certification**

ATEX & IECEx (Zone 1 & 2; Zone 21 & 22)

TR CU

NEMA 4X (CSA, UL & FM) Class 1 Division 2

**Material**

Glass Reinforced Polyester (RAL7001 grey) or

Carbon Loaded Glass Reinforced Polyester (Black)

**Temperature Rating**

Hazardous Area: -65°C to +130°C

Non Hazardous: -70°C to +130°C

**Power Rating**

11.933W



**Terminal Populations (Maximum Number of Rails = 1)**

Calculations do not include the use of end stops, end plates and separators. Check that the enclosure can accommodate the cable bending radius and that the earth stud and entry location will permit the required number of terminals to be fitted

Weidmüller	
BK4 (4 way)	6
BK6 (6 way)	4
BK12 (12 way)	2
MK 6/3	4
MK 6/4	4
MK 6/6	3
SAK 2.5	36
SAK 4	34
SAK 6N	27
SAK 10	22
SAK 16	18
SAK 35	14

Entrelec	
MA2.5/5	43
M4/6	36
M6/8	27
M10/10	22
M16/12	18
M35/16	14

Wago	
280-992	40
280-999	40
281-691	34
281-992	34
281-993	34
282-691	27
284-691	21
283-691	18
285-691	0
280-998	40
281-998	34
264-120	36
264-220	21
264-132(2)	7
264-134(4)	5
262-132(2)	7
264-134(4)	5

**Drilling Envelope Dimensions (mm)**

	Side A - C	Side B - D
Width	210	80
Height	65	60

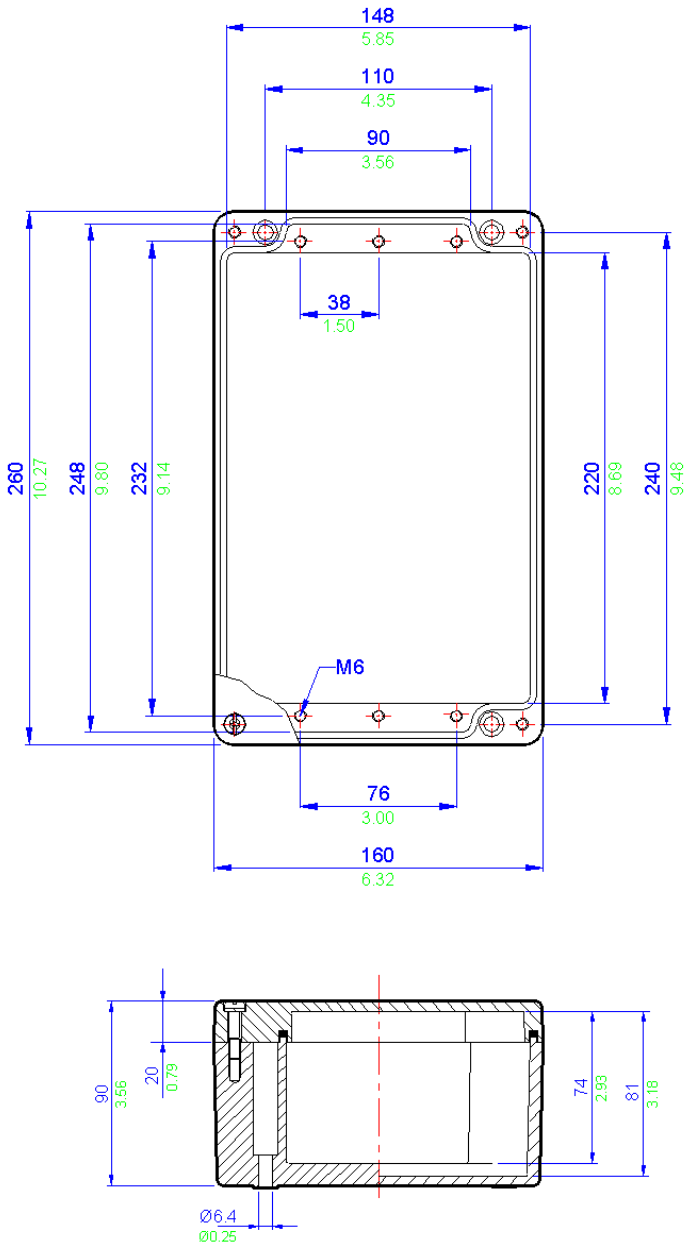
**Gland Entry Matrix \***

Size	Side A - C	Side B - D
M16	12	4
M20	6	2
M25	4	1
M32	3	1
M40	0	0

\* Using standard gland clearances

**Specifications**

Part Number	Material	Width (mm)	Length (mm)	Depth (mm)	Weight (g)
BPG9	GRP	260	160	90	1170
BPGC9	Carbon Loaded GRP	260	160	90	1170



All blue dimensions in mm, all green dimensions in decimal inches (drawing not to scale)

### Application

Hazardous and Industrial areas

### Protection Degree

IP66 or 67

### Certification

ATEX & IECEx (Zone 1 & 2; Zone 21 & 22)

TR CU

NEMA 4X (CSA, UL & FM) Class 1 Division 2

### Material

Glass Reinforced Polyester (RAL7001 grey) or  
Carbon Loaded Glass Reinforced Polyester (Black)

### Temperature Rating

Hazardous Area: -65°C to +130°C

Non Hazardous: -70°C to +130°C

### Power Rating

13.793W



### Terminal Populations (Maximum Number of Rails = 1)

Calculations do not include the use of end stops, end plates and separators. Check that the enclosure can accommodate the cable bending radius and that the earth stud and entry location will permit the required number of terminals to be fitted

Weidmüller	
BK4 (4 way)	9
BK6 (6 way)	6
BK12 (12 way)	3
MK 6/3	6
MK 6/4	6
MK 6/6	4
SAK 2.5	52
SAK 4	48
SAK 6N	40
SAK 10	32
SAK 16	26
SAK 35	20

Entrelec	
MA2.5/5	63
M4/6	52
M6/8	40
M10/10	32
M16/12	26
M35/16	20

Wago	
280-992	58
280-999	58
281-691	50
281-992	50
281-993	50
282-691	39
284-691	31
283-691	26
285-691	0
280-998	58
281-998	50
264-120	52
264-220	31
264-132(2)	11
264-134(4)	7
262-132(2)	10
264-134(4)	7

### Drilling Envelope Dimensions (mm)

	Side A - C	Side B - D
Width	312	82
Height	65	60

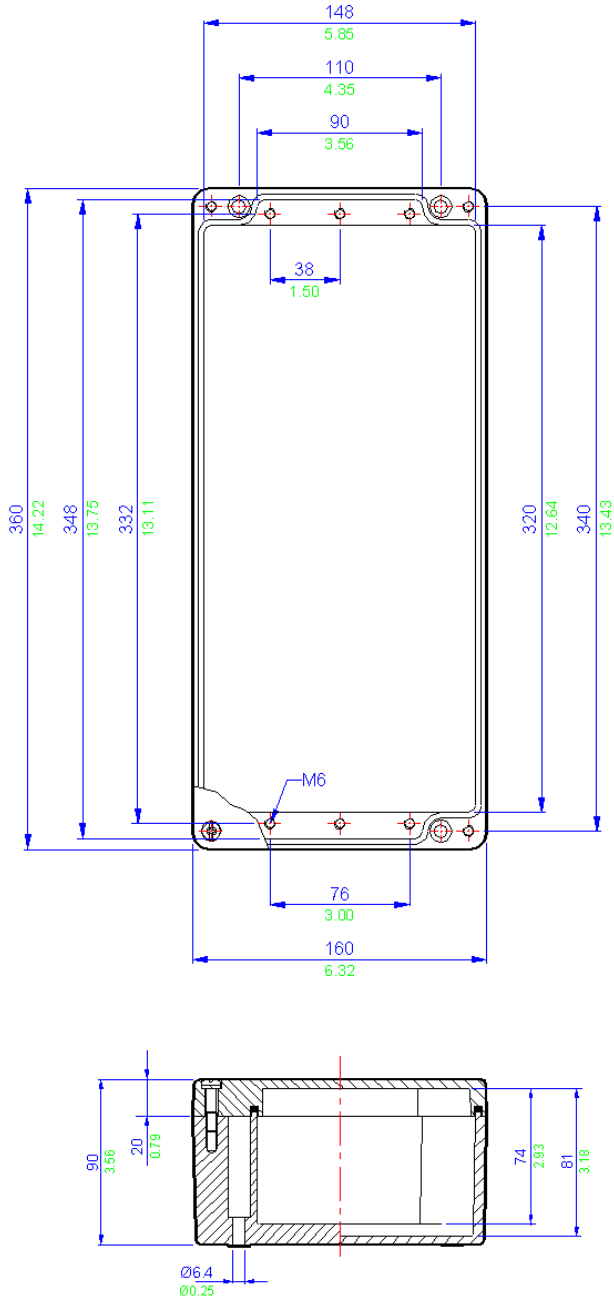
### Gland Entry Matrix \*

Size	Side A - C	Side B - D
M16	18	4
M20	8	2
M25	6	1
M32	5	1
M40	0	0

\* Using standard gland clearances

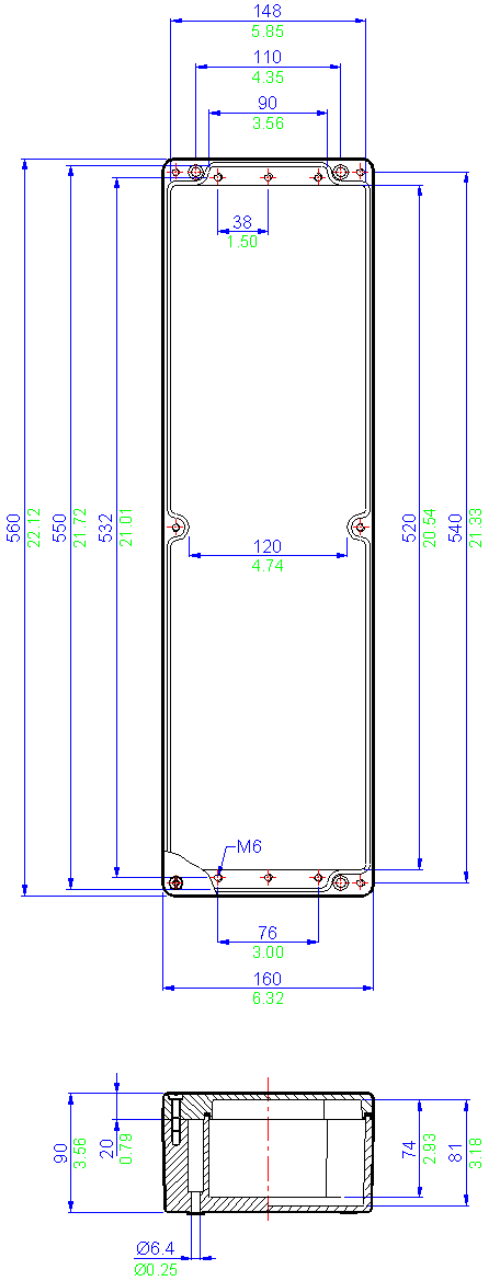
### Specifications

Part Number	Material	Width (mm)	Length (mm)	Depth (mm)	Weight (g)
BPG10	GRP	360	160	90	2150
BPGC10	Carbon Loaded GRP	360	160	90	2150



All blue dimensions in mm, all green dimensions in decimal inches (drawing not to scale)





All blue dimensions in mm, all green dimensions in decimal inches (drawing not to scale)

### Application

Hazardous and Industrial areas

### Protection Degree

IP66 or 67

### Certification

ATEX & IECEx (Zone 1 & 2; Zone 21 & 22)  
TR CU  
NEMA 4X (CSA, UL & FM) Class 1 Division 2

### Material

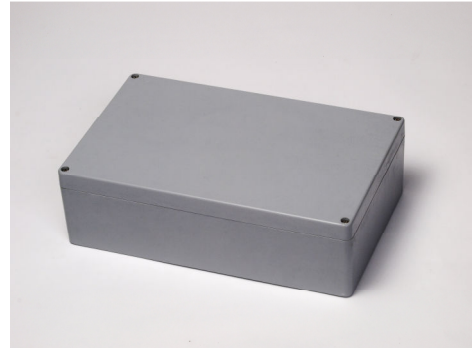
Glass Reinforced Polyester (RAL7001 grey) or  
Carbon Loaded Glass Reinforced Polyester (Black)

### Temperature Rating

Hazardous Area: -65°C to +130°C  
Non Hazardous: -70°C to +130°C

### Power Rating

15.474W



### Terminal Populations (Maximum Number of Rails = 2)

Calculations do not include the use of end stops, end plates and separators. Check that the enclosure can accommodate the cable bending radius and that the earth stud and entry location will permit the required number of terminals to be fitted

Weidmuller	
BK4 (4 way)	12
BK6 (6 way)	8
BK12 (12 way)	4
MK 6/3	8
MK 6/4	8
MK 6/6	6
SAK 2.5	70
SAK 4	66
SAK 6N	54
SAK 10	42
SAK 16	36
SAK 35	20

Entrelec	
MA2.5/5	84
M4/6	70
M6/8	54
M10/10	42
M16/12	36
M35/16	26

Wago	
280-992	78
280-999	78
281-691	66
281-992	66
281-993	66
282-691	52
284-691	42
283-691	17
285-691	12
280-998	78
281-998	66
264-120	70
264-220	42
264-132(2)	14
264-134(4)	10
262-132(2)	14
264-134(4)	8

### Drilling Envelope Dimensions (mm)

	Side A - C	Side B - D
Width	205	170
Height	90	85

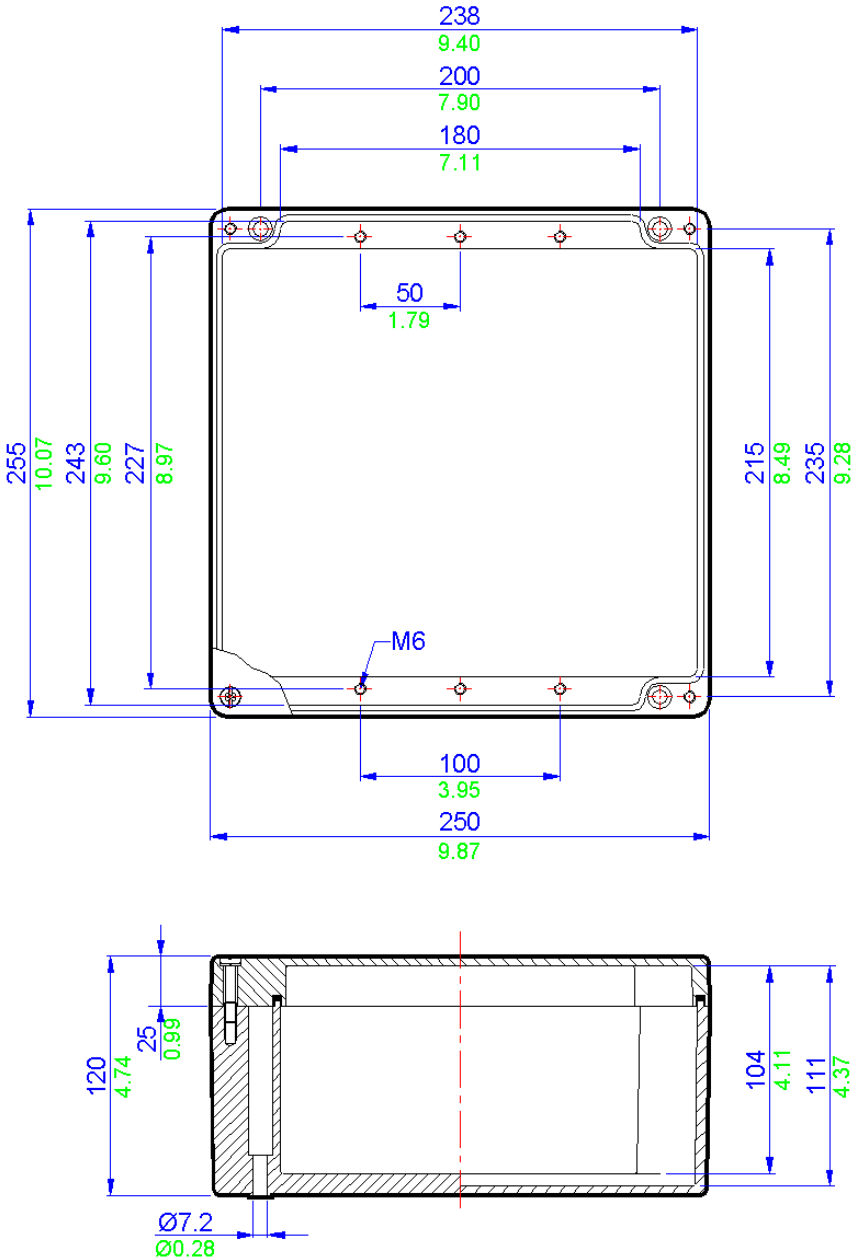
### Gland Entry Matrix \*

Size	Side A - C	Side B - D
M16	15	12
M20	10	8
M25	6	4
M32	3	2
M40	3	2

\* Using standard gland clearances

### Specifications

Part Number	Material	Width (mm)	Length (mm)	Depth (mm)	Weight (g)
BPG12	GRP	255	250	120	3200
BPGc12	Carbon Loaded GRP	255	250	120	3200



All blue dimensions in mm, all green dimensions in decimal inches (drawing not to scale)



# BPG13 / BPGc13

Glass Reinforced Polyester Enclosures

IP66/7

Glass Reinforced Polyester Enclosures

## Application

Hazardous and Industrial areas

## Protection Degree

IP66 or 67

## Certification

ATEX & IECEx (Zone 1 & 2; Zone 21 & 22)  
TR CU  
NEMA 4X (CSA, UL & FM) Class 1 Division 2

## Material

Glass Reinforced Polyester (RAL7001 grey) or  
Carbon Loaded Glass Reinforced Polyester (Black)

## Temperature Rating

Hazardous Area: -65°C to +130°C  
Non Hazardous: -70°C to +130°C

## Power Rating

20.867W



## Terminal Populations (Maximum Number of Rails = 2)

Calculations do not include the use of end stops, end plates and separators. Check that the enclosure can accommodate the cable bending radius and that the earth stud and entry location will permit the required number of terminals to be fitted

Weidmüller	
BK4 (4 way)	20
BK6 (6 way)	14
BK12 (12 way)	6
MK 6/3	14
MK 6/4	14
MK 6/6	10
SAK 2.5	118
SAK 4	108
SAK 6N	88
SAK 10	72
SAK 16	60
SAK 35	36

Entrelec	
MA2.5/5	140
M4/6	118
M6/8	88
M10/10	72
M16/12	60
M35/16	44

Wago	
280-992	132
280-999	132
281-691	114
281-992	114
281-993	114
282-691	88
284-691	70
283-691	29
285-691	20
280-998	132
281-998	114
264-120	118
264-220	70
264-132(2)	24
264-134(4)	16
262-132(2)	24
264-134(4)	16

## Drilling Envelope Dimensions (mm)

	Side A - C	Side B - D
Width	350	170
Height	89	84

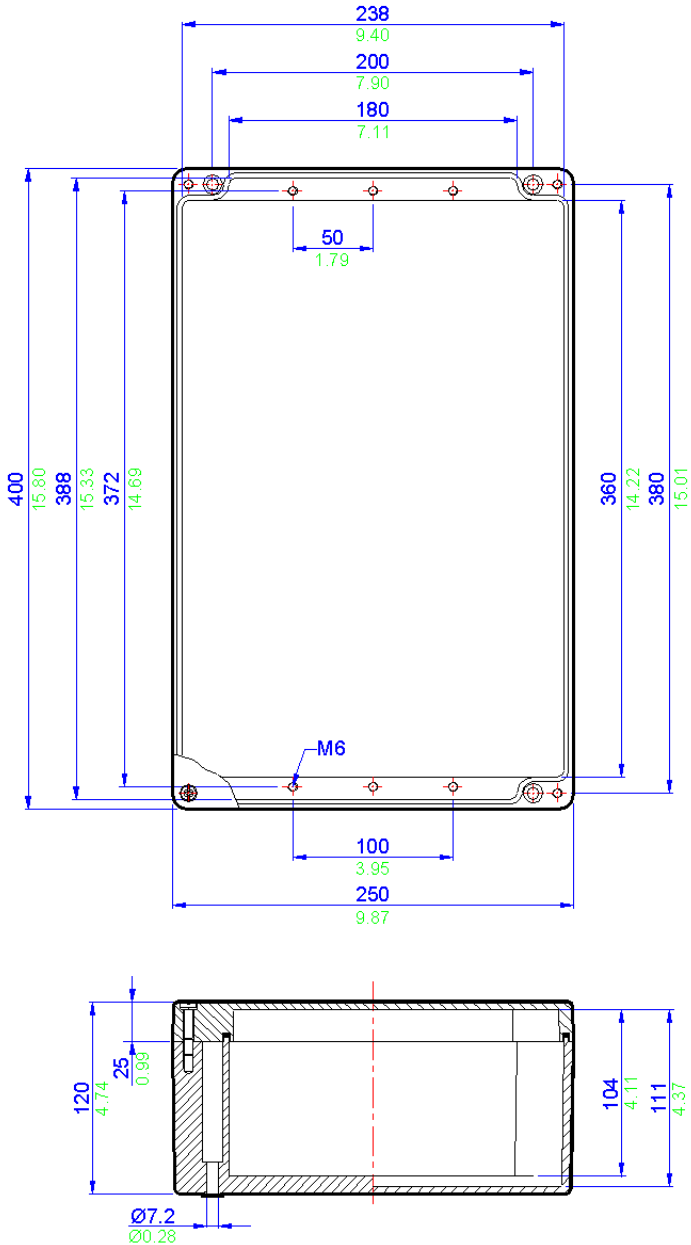
## Gland Entry Matrix \*

Size	Side A - C	Side B - D
M16	30	12
M20	16	8
M25	14	4
M32	6	2
M40	5	2

\* Using standard gland clearances

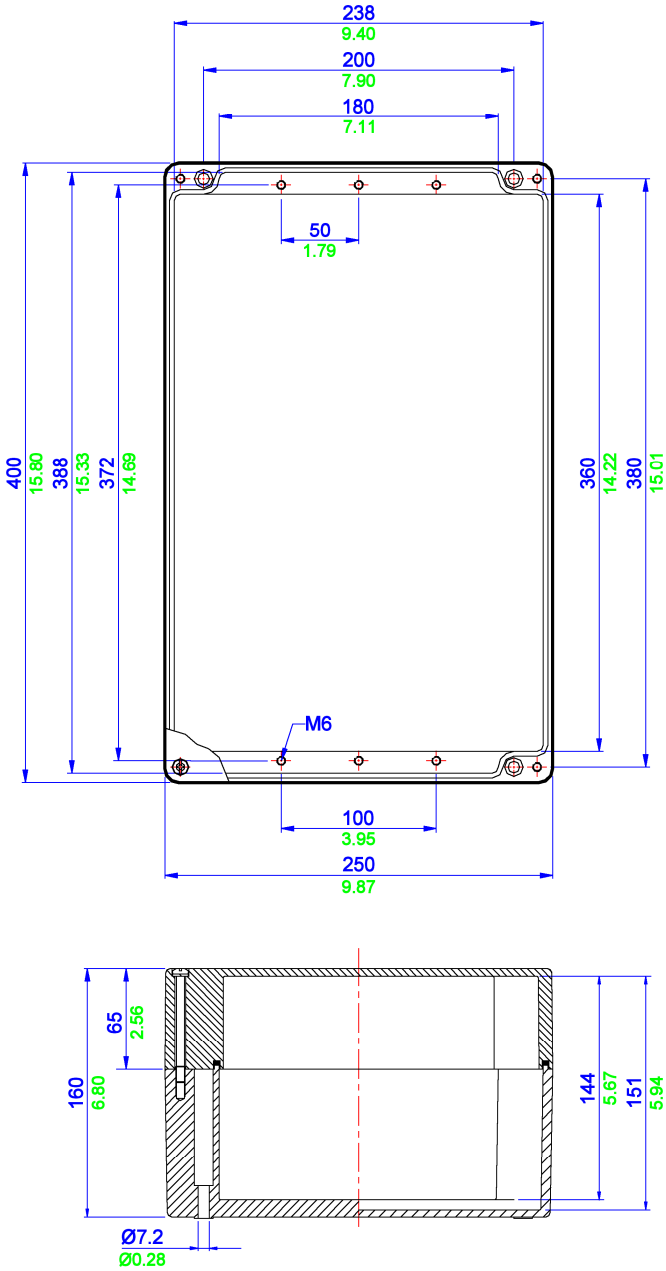
## Specifications

Part Number	Material	Width (mm)	Length (mm)	Depth (mm)	Weight (g)
BPG13	GRP	400	250	120	3650
BPGC13	Carbon Loaded GRP	400	250	120	3650



All blue dimensions in mm, all green dimensions in decimal inches (drawing not to scale)





All blue dimensions in mm, all green dimensions in decimal inches (drawing not to scale)

### Application

Hazardous and Industrial areas

### Protection Degree

IP66 or 67

### Certification

ATEX & IECEx (Zone 1 & 2; Zone 21 & 22)

TR CU

NEMA 4X (CSA, UL & FM) Class 1 Division 2

### Material

Glass Reinforced Polyester (RAL7001 grey) or

Carbon Loaded Glass Reinforced Polyester

(Black)

### Temperature Rating

Hazardous Area: -65°C to +130°C

Non Hazardous: -70°C to +130°C

### Power Rating

30.384W



### Terminal Populations (Maximum Number of Rails = 2)

Calculations do not include the use of end stops, end plates and separators. Check that the enclosure can accommodate the cable bending radius and that the earth stud and entry location will permit the required number of terminals to be fitted

Weidmüller	
BK4 (4 way)	30
BK6 (6 way)	22
BK12 (12 way)	12
MK 6/3	22
MK 6/4	22
MK 6/6	14
SAK 2.5	182
SAK 4	168
SAK 6N	138
SAK 10	110
SAK 16	92
SAK 35	70

Entrelec	
MA2.5/5	218
M4/6	182
M6/8	138
M10/10	110
M16/12	92
M35/16	70

Wago	
280-992	132
280-999	132
281-691	114
281-992	114
281-993	114
282-691	88
284-691	70
283-691	29
285-691	20
280-998	132
281-998	114
264-120	118
264-220	70
264-132(2)	24
264-134(4)	16
262-132(2)	24
264-134(4)	16

### Drilling Envelope Dimensions (mm)

	Side A - C	Side B - D
Width	260	168
Height	90 (x2)	85

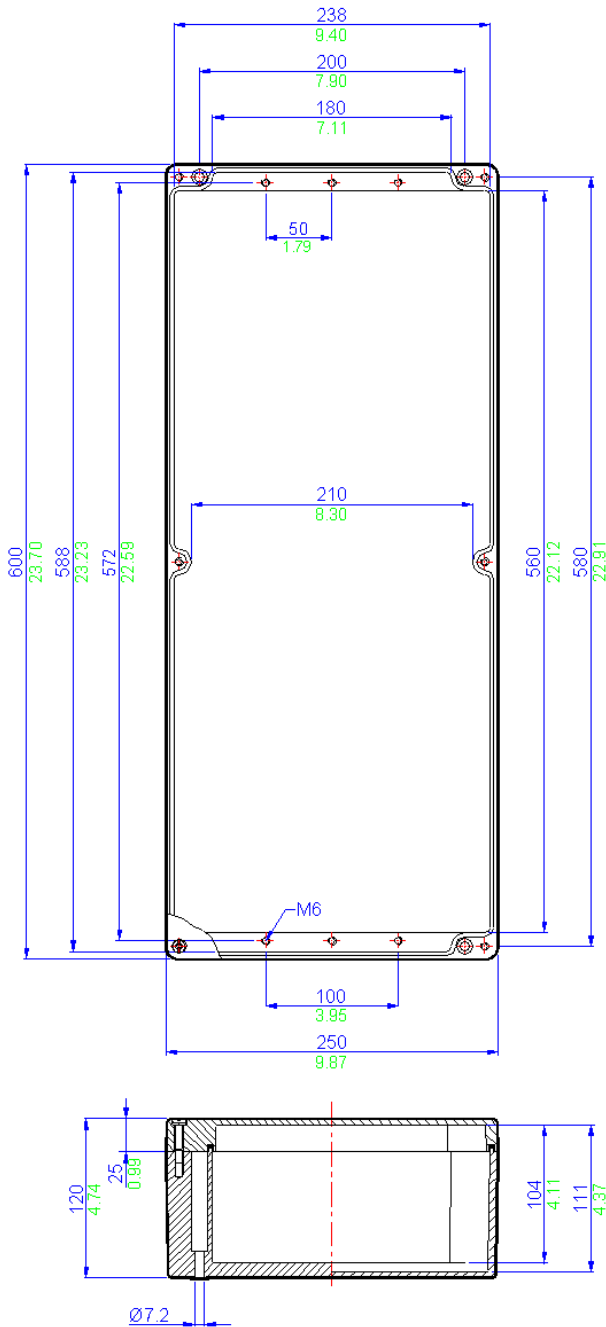
### Gland Entry Matrix \*

Size	Side A - C	Side B - D
M16	42	12
M20	24	8
M25	20	4
M32	8	2
M40	6	2

\* Using standard gland clearances

### Specifications

Part Number	Material	Width (mm)	Length (mm)	Depth (mm)	Weight (g)
BPG14	GRP	600	250	120	5235
BPGc14	Carbon Loaded GRP	600	250	120	5235



All blue dimensions in mm, all green dimensions in decimal inches (drawing not to scale)

### Application

Hazardous and Industrial areas

### Protection Degree

IP66 or 67

### Certification

ATEX & IECEx (Zone 1 & 2; Zone 21 & 22)

TR CU

NEMA 4X (CSA, UL & FM) Class 1 Division 2

### Material

Glass Reinforced Polyester (RAL7001 grey) or

Carbon Loaded Glass Reinforced Polyester (Black)

### Temperature Rating

Hazardous Area: -65°C to +130°C

Non Hazardous: -70°C to +130°C

### Power Rating

31.350W



### Terminal Populations (Maximum Number of Rails = 3)

Calculations do not include the use of end stops, end plates and separators. Check that the enclosure can accommodate the cable bending radius and that the earth stud and entry location will permit the required number of terminals to be fitted

Weidmüller	
BK4 (4 way)	30
BK6 (6 way)	21
BK12 (12 way)	9
MK 6/3	21
MK 6/4	21
MK 6/6	15
SAK 2.5	177
SAK 4	162
SAK 6N	132
SAK 10	108
SAK 16	90
SAK 35	66

Entrelec	
MA2.5/5	210
M4/6	177
M6/8	132
M10/10	108
M16/12	90
M35/16	66

Wago	
280-992	198
280-999	198
281-691	171
281-992	171
281-993	171
282-691	132
284-691	105
283-691	58
285-691	40
280-998	198
281-998	171
264-120	177
264-220	101
264-132(2)	36
264-134(4)	24
262-132(2)	36
264-134(4)	24

### Drilling Envelope Dimensions (mm)

	Side A - C	Side B - D
Width	352	327
Height	89	84

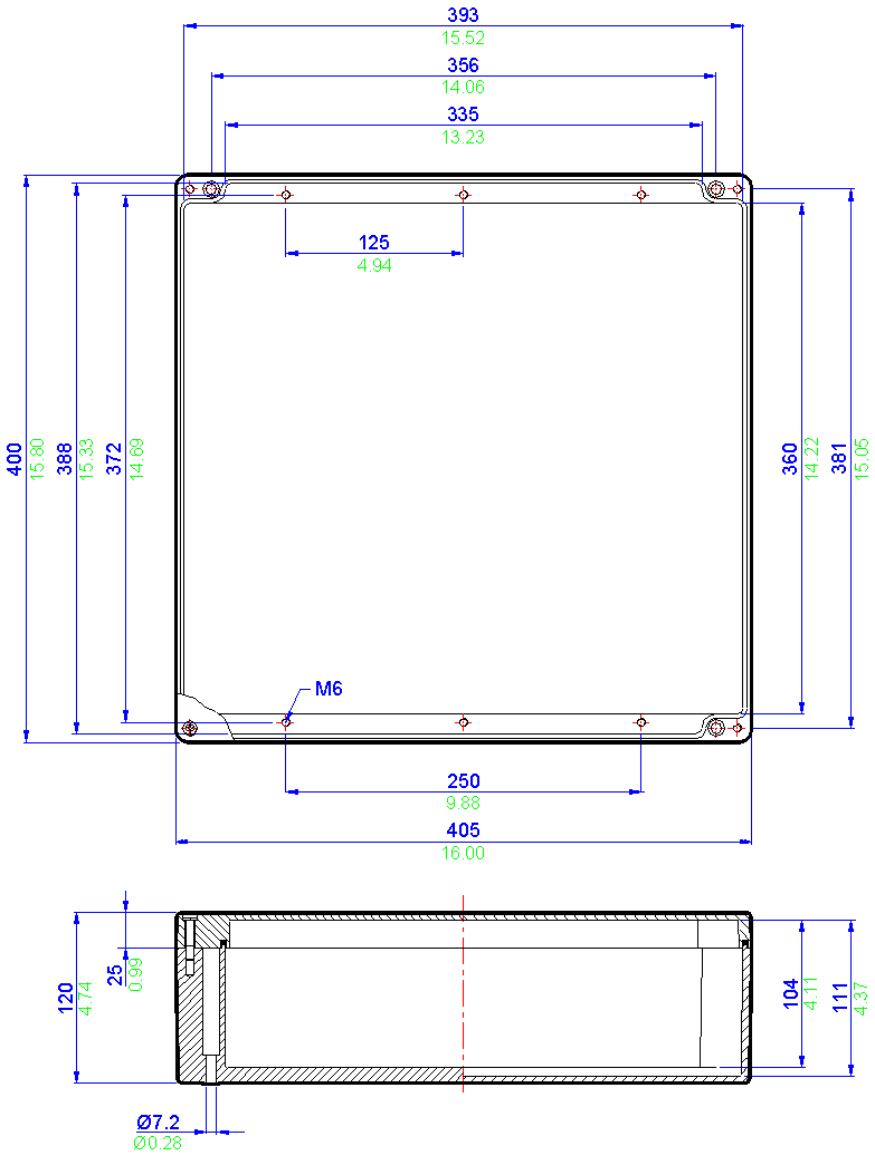
### Gland Entry Matrix \*

Size	Side A - C	Side B - D
M16	30	24
M20	18	16
M25	14	10
M32	6	5
M40	5	4

\* Using standard gland clearances

### Specifications

Part Number	Material	Width (mm)	Length (mm)	Depth (mm)	Weight (g)
BPG15	GRP	400	405	120	5580
BPGc15	Carbon Loaded GRP	400	405	120	5580



All blue dimensions in mm, all green dimensions in decimal inches (drawing not to scale)