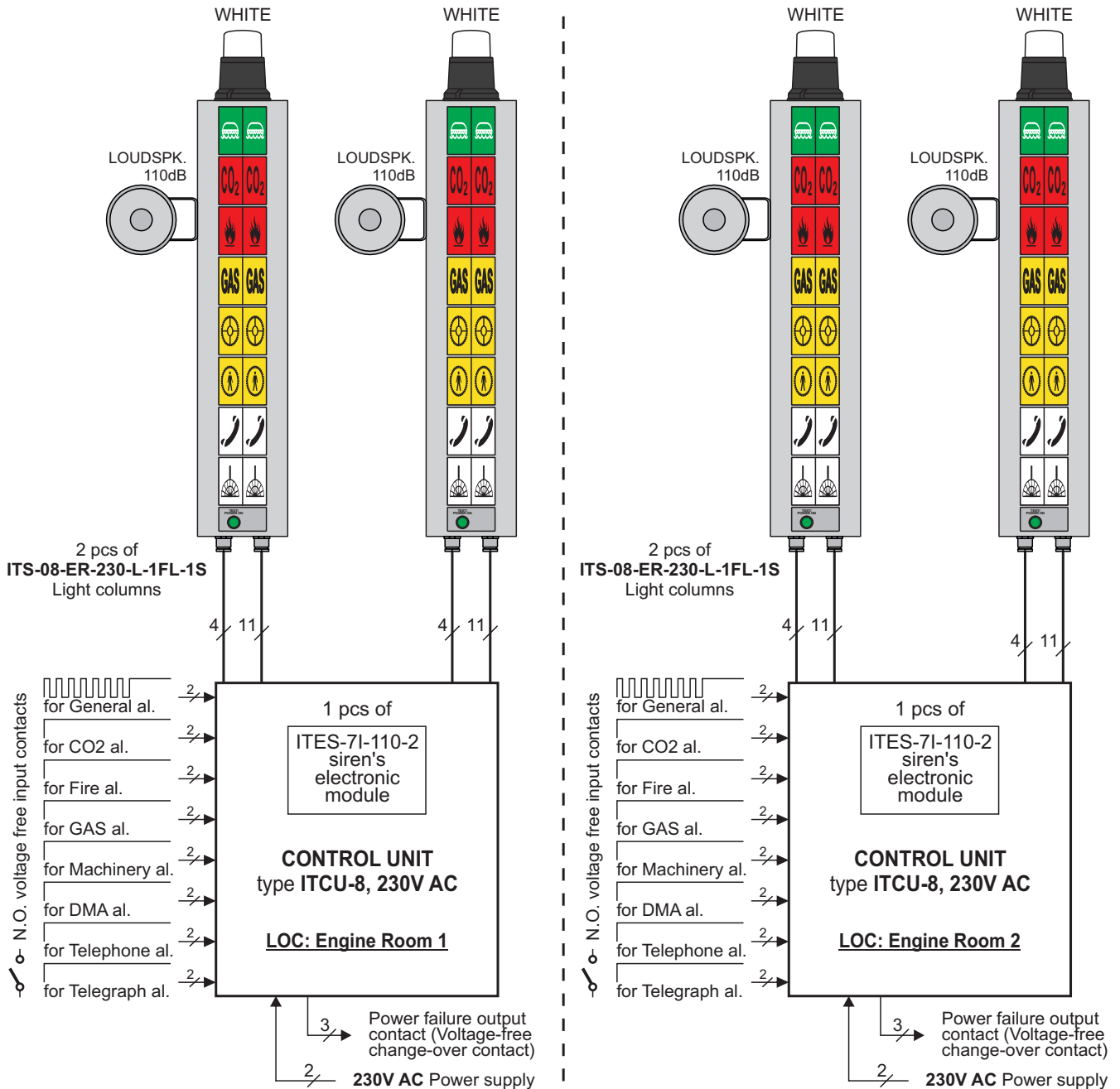


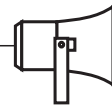
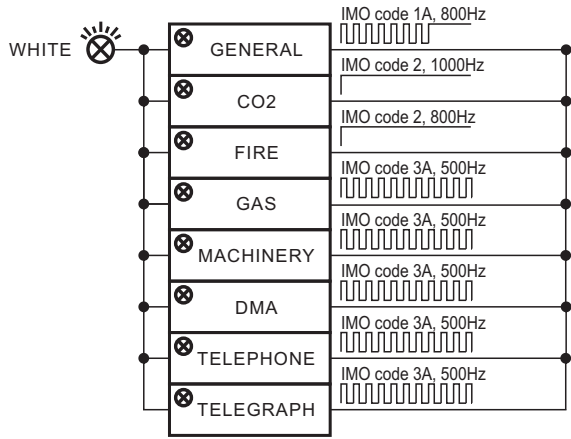
**ITES-7I-110-2**  
110dB Programmable  
multi-tone  
electronic siren

- PRIORITY:**
1. CO2
  2. GENERAL
  3. FIRE
  4. OTHERS



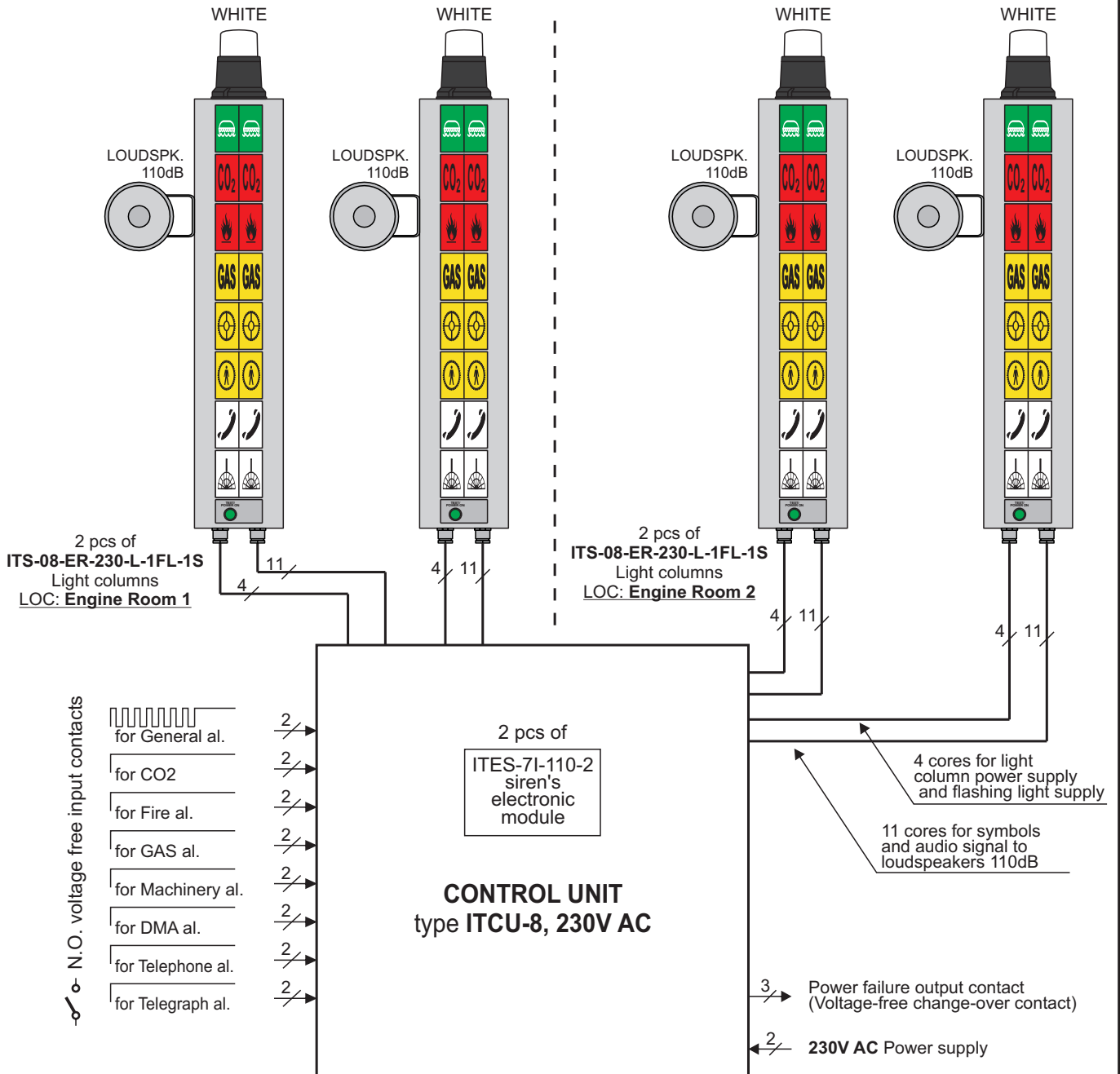
\*\*\*NOTE: Input contact for General alarm should follow general alarm sequence waveform (7 short and 1 long).

			Date	Name	Title: <b>ENGINE ROOM SIGNALIZATION SYSTEM</b>  Block diagram
			Project.		
			Constr.	24.02.16. Aleksić	
			Check		
Rev	Changes	Date/Sign			
This drawing is the property of INELTEH d.o.o. and must not be reproduced, copied or distributed, entirely or in part, without written permission of INELTEH d.o.o.					
			Identity:	File: ER Signalization, block1, Marin supply, I-16503.cdr	Page/of 1/4



**ITES-7I-110-2**  
110dB Programmable multi-tone electronic siren

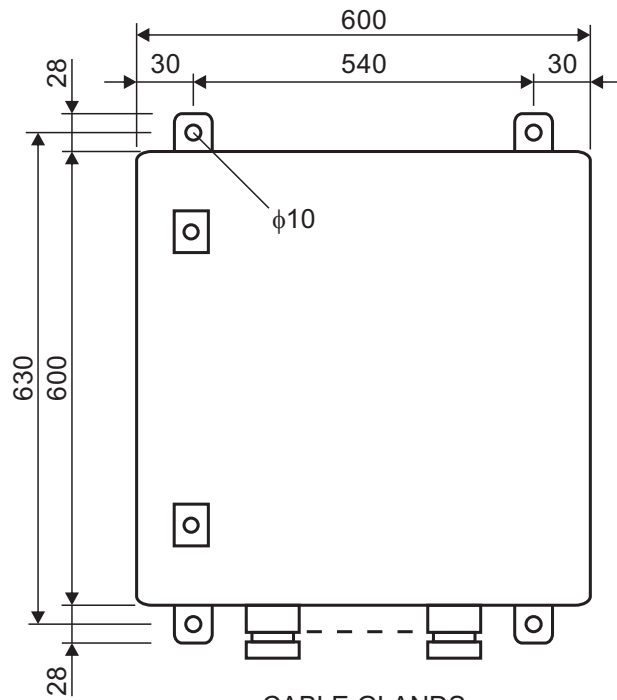
- PRIORITY:**
1. CO2
  2. GENERAL
  3. FIRE
  4. OTHERS



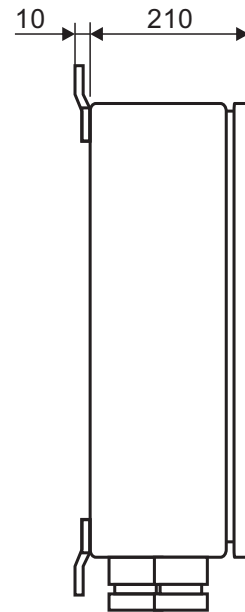
\*\*\*NOTE: Input contact for General alarm should follow general alarm sequence waveform (7 short and 1 long).

			Date	Name	Title: <b>ENGINE ROOM SIGNALIZATION SYSTEM</b>  Block diagram
			Project.		
			Constr.	24.02.16. Aleksić	
			Check		
Rev	Changes	Date/Sign	<p>ENGINEERING FOR ELECTRONIC EQUIPMENT AND SYSTEMS</p>		
<p>This drawing is the property of INELTEH d.o.o. and must not be reproduced, copied or distributed, entirely or in part, without written permission of INELTEH d.o.o.</p>					
			Identity:	File: ER Signalization, block2, Marin Supply, I-16503.cdr	Page/of 2/4

**SAME SIZE FOR  
SYSTEM1 & SYSTEM2**

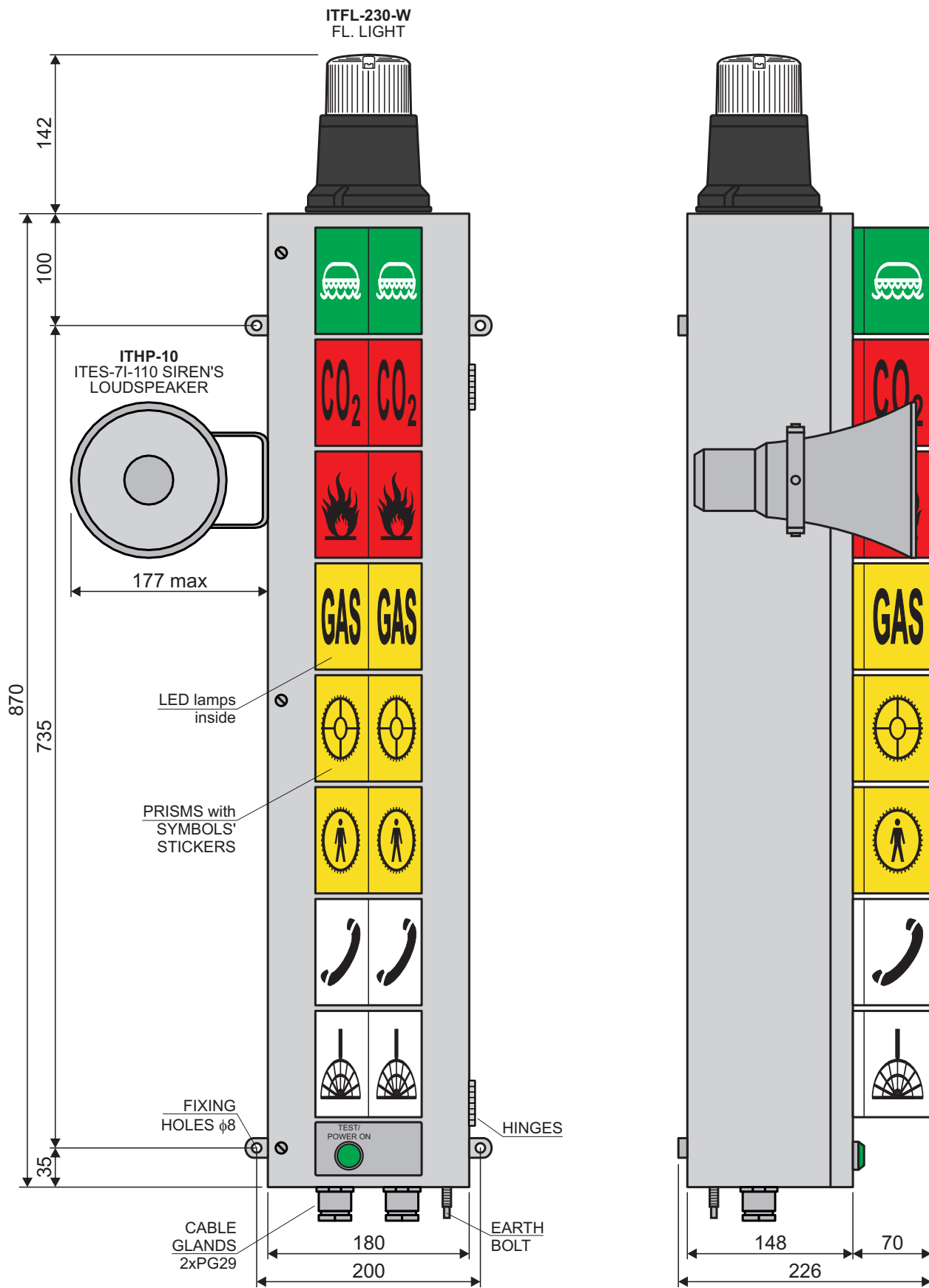


CABLE GLANDS



LEAVE 700mm FOR  
DOOR OPENING

			Date	Name	Title:  <b>CONTROL UNIT type ITCU-8</b>  Outlines
			Project.		
			Constr.	24.02.16. Aleksić	
			Check		
Rev	Changes	Date/Sign			
<small>This drawing is the property of INELTEH d.o.o. and must not be reproduced, copied or distributed, entirely or in part, without written permission of INELTEH d.o.o.</small>					
			Identity:	File: ITCU-8, outlines, Marin Supply, I-16503.cdr	Page/of 3/4



			Date	Name	Title: <b>LIGHT COLUMN type ITS-08-ER-230-L-1FL-1S</b> Front view and outlines
			Project.		
			Constr.	24.02.16. Aleksić	
			Check		
Rev	Changes	Date/Sign			
This drawing is the property of INELTEH d.o.o. and must not be reproduced, copied or distributed, entirely or in part, without written permission of INELTEH d.o.o.					
			Identity:	File: ITS-08-ER-230-L-1FL-1S.out, Marin supply, I-16503.cdr	Page/of 4/4