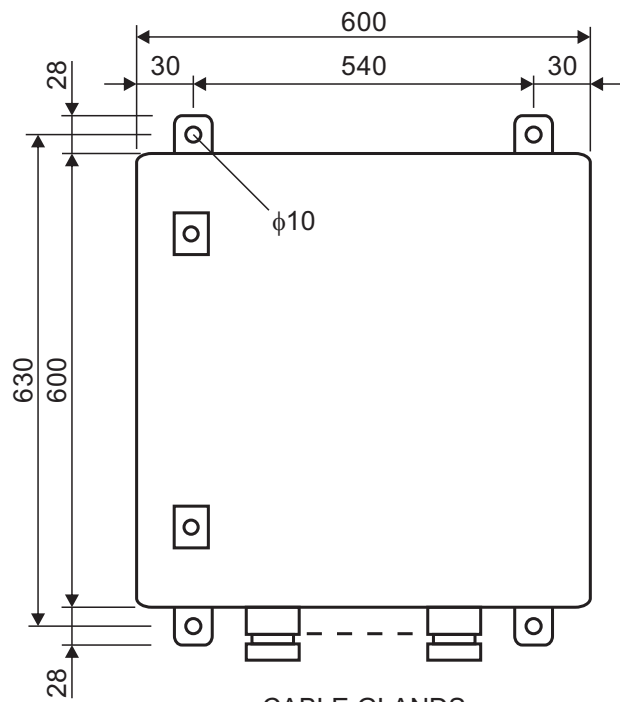


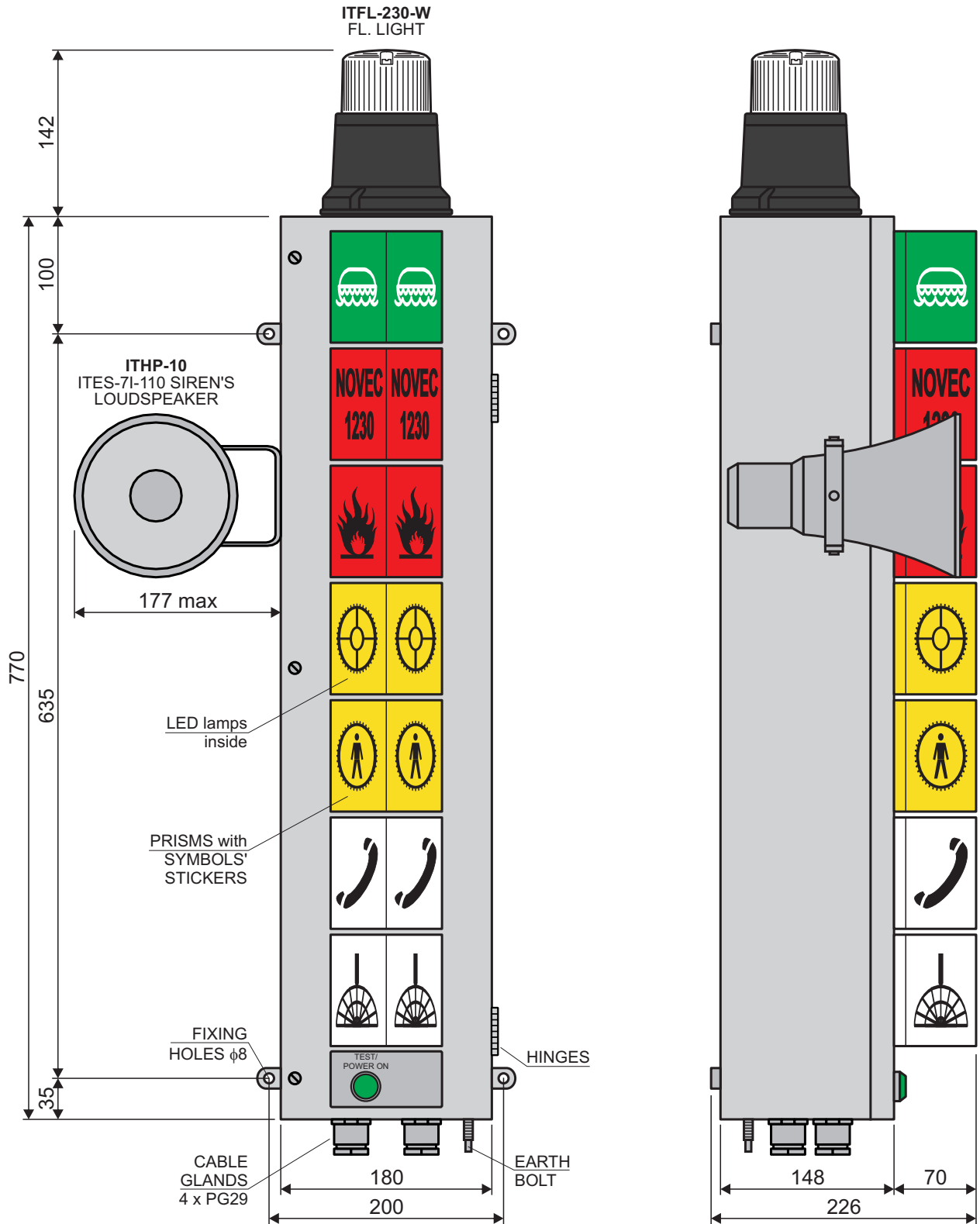
ENGINE ROOM SIGNALIZATION SYSTEM


*ER Signalization,
Marin Supply,
I-17581-1*

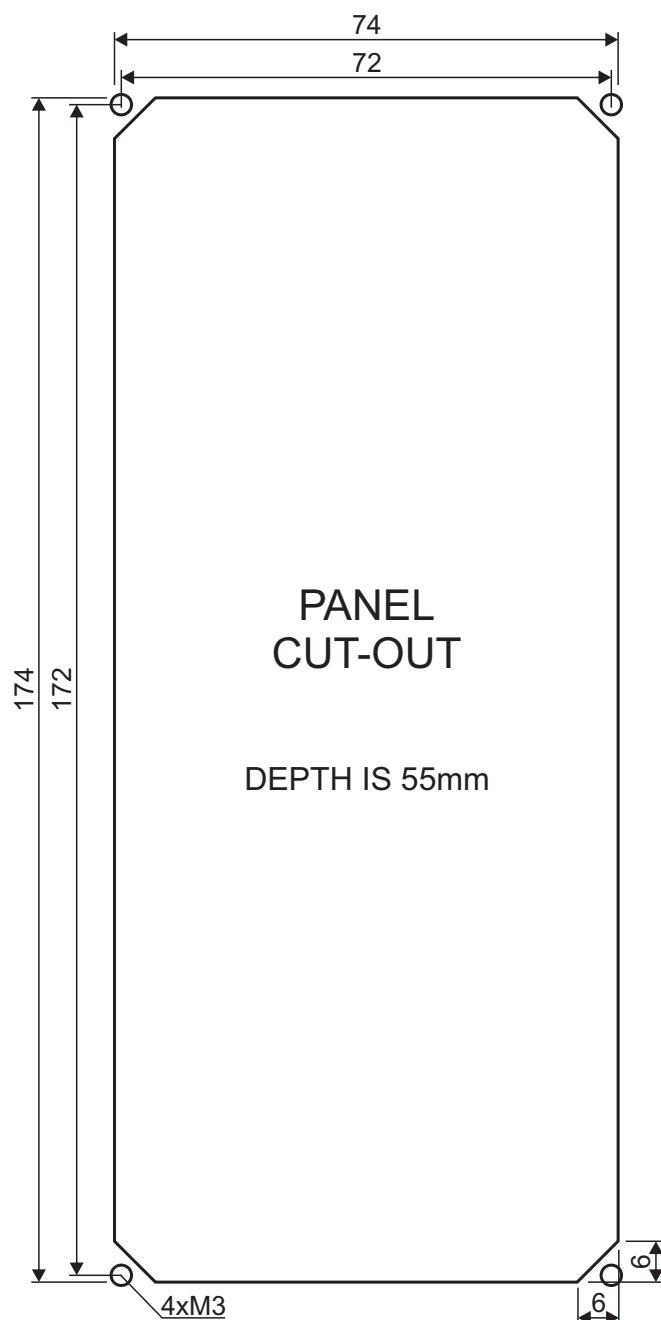
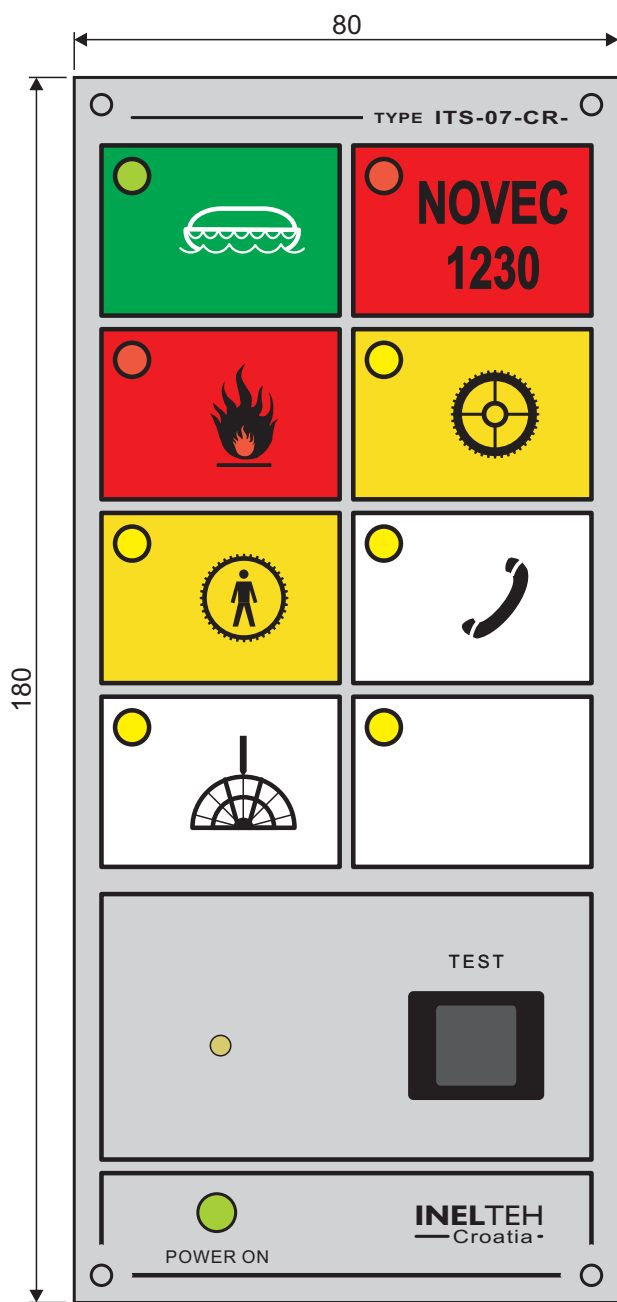


LEAVE 700mm FOR
DOOR OPENING

			Date	Name	Title: CONTROL UNIT type ITCU-8 Outlines
			Project.		
			Constr.	05.12.16. Aleksić	
			Check		
Rev	Changes	Date/Sign			Identity:
<small>This drawing is the property of INELTEH d.o.o. and must not be reproduced, copied or distributed, entirely or in part, without written permission of INELTEH d.o.o.</small>					File: ITCU-8, outlines, Marin Supply, I-17581-1.cdr



			Date	Name	Title: LIGHT COLUMN type ITS-07-ER-230-L-1FL-1S Front view and outlines
		Project.			
		Constr.	05.12.16.	Aleksić	
		Check			
Rev	Changes	Date/Sign	 INELTEH ENGINEERING FOR ELECTRONIC EQUIPMENT AND SYSTEMS		
This drawing is the property of INELTEH d.o.o. and must not be reproduced, copied or distributed, entirely or in part, without written permission of INELTEH d.o.o.					
			Identity:	File: ITS-07-ER-230-L-1FL-1S, out, Marin Supply, I-17581-1.cdr	Page/of 3/4



			Date	Name	Title: LIGHT PANEL type ITS-07-CR Front view and outlines, flush mounting
		Project.			
		Constr.	05.12.16.	Aleksić	
		Check			
Rev	Changes	Date/Sign			Identity:
<small>This drawing is the property of INELTEH d.o.o. and must not be reproduced, copied or distributed, entirely or in part, without written permission of INELTEH d.o.o.</small>					File:
					Page/of 4/4