

TRAFFIC LIGHT

Quadro LED-TL



Bright LED signal lights for traffic light applications, e.g. for

- traffic routing in non-public areas
- conveyor and storage systems
- crane safety (see also 'Regulations and standards for crane applications')
- container handling systems
- Extraordinary housing protection (IP 66, IK08 and UV-protected PC housing) and innovative LED technology provide for very bright signals, long service lives and reliable operation.
- Mounted using external lugs or internal holes that do not impair the IP protection; mounting can be performed in any direction.
- Preassembled as traffic light and ready to connect.
- Also available as non-preassembled version.
- Optionally with integrated light sensor for optimal adaptation to the ambient light (glare avoidance).



protection system



impact-proof housing



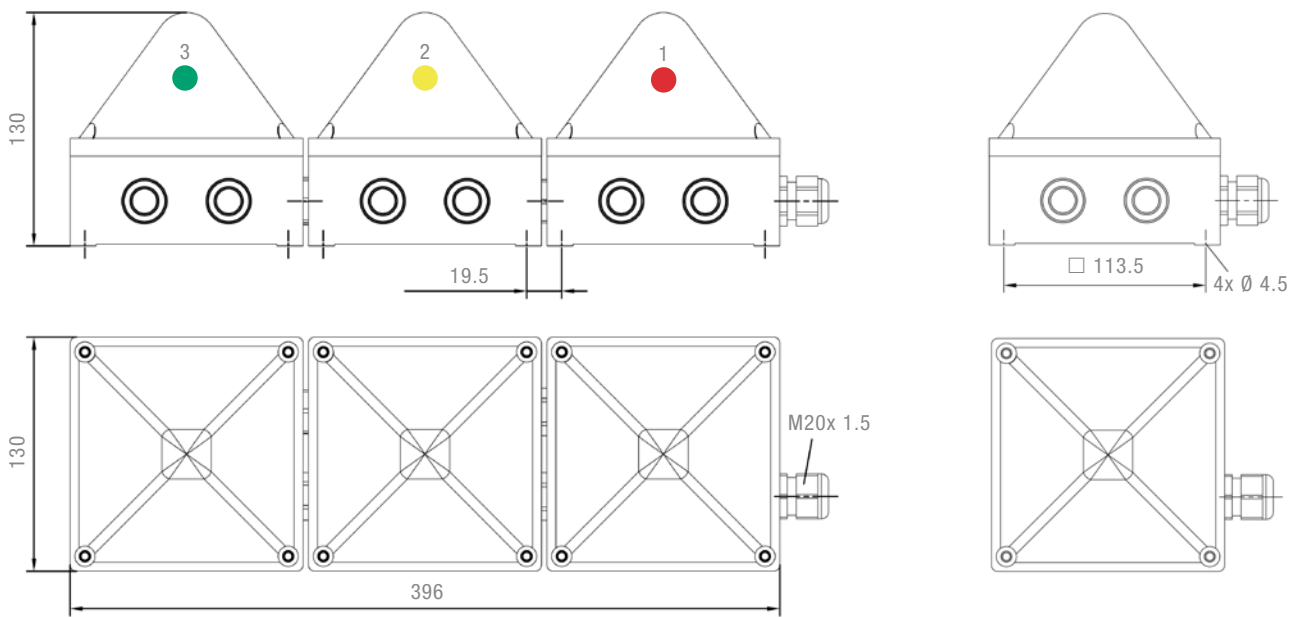
operating temperature



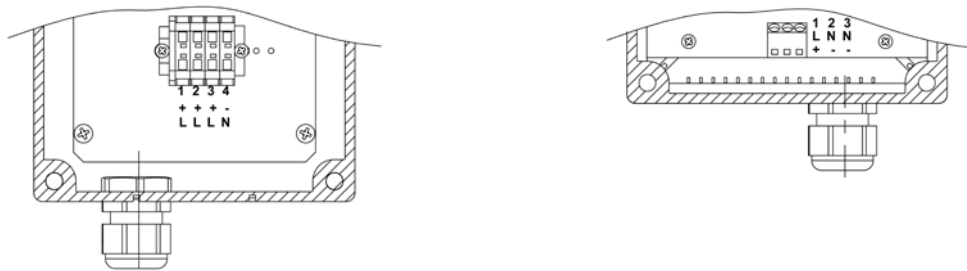
PRODUCT	Quadro LED-TL	
DATA		
Rated voltage	115 / 230 V	24 V
	AC 50 60 Hz	DC
Operating range	85–265 V	10–30 V
Nominal current consumption	3x 100 mA 3x 65 mA	1.06 A
Operating mode	LED continuous light	
Light source	high output LED array	
Light intensity (DIN 5037)	>75 cd	
Max. viewing distance	207 m	
Operating temperature	–30 °C ... +55 °C	
Storage temperature	–40 °C ... +70 °C	
Relative humidity	95 %	
Protection system (EN 60529)	IP 66; IK08 (EN 50102), mounting arbitrary	
Service life of the light source	>50,000 hrs	
Material	lens	● ● ● polycarbonate (PC), UV resistant
	housing	polycarbonate (PC), UV resistant, RAL 7035
Cable entry	M20/M32 sideways, other imprints prepared	
Connecting terminal	cage clamp 0.08–2.5 mm ² (in the red light)	
Mounting	external lugs or internal holes	
Weight	1.32 kg	

Regulations and standards for crane applications		
DIN-EN 13000:2004-09 Cranes – truck-mounted cranes	Visual warning to the driver (EN 842) in the case of	<ul style="list-style-type: none"> • approaching the load capacity (at 90–98.5 % of the permissible load capacity) • triggering of the overload safety system • overriding of the overload safety system
DIN-EN 14439:2006 Safety – rotating tower cranes	Visual warning by the crane driver (EN 457) to persons in the vicinity in the case of	<ul style="list-style-type: none"> • remote control – green, continuous light • anti-collision – white, blinking light • rotating (in some cases when required by local authorities) – green, blinking light
	Visual warning to the driver (EN 842) in the case of	<ul style="list-style-type: none"> • approaching the load capacity (at 90–95 % of the permissible load capacity) – yellow, continuous light • wind warning and alarm – yellow, blinking light and red, blinking light

DIMENSIONS



CONNECTION DIAGRAMS



ARTICLE NO.	Quadro LED-TL		Quadro LED-TLi (with light sensor)	
	115/230 V AC	24 V DC	115/230 V AC	24 V DC
● ● ●	21106640008	21106630008	21107640008	21107630008
●	21106643000	21106633000	21107643000	21107633000
●	21106645000	21106635000	21107645000	21107635000
●	2110664 6000	2110663 6000	2110764 6000	2110763 6000

Article numbers for other combinations on request.

OPTIONS/ACCESSORIES



Article no.
28112000003



Light senspr

CONFORMITY TO STANDARDS

The visual characteristics of LED lights conform to the European standard DIN EN 842; “Machine safety – visual alarm signals”. Requirements contained in the DIN EN 981 standard; “Machine safety – system of acoustic and visual alarm and information signals”, can be fulfilled. The colours “red” for the emergency signal and “yellow” for the warning signal conform to the requirements of IEC 73 / DIN EN 60073 / VDE 0199; “Coding of display devices and control elements using colours and supplementary means”.

References to visual alarm devices can be found in the following standards:

- EN 60825-1 Radiation safety of laser devices, identical to IEC 825 and DIN-VDE 0837
- DIN EN 54 Fire alarm systems
- DIN 54113-2 Radiation protection regulations for the technical operation of X-ray equipment up to 500 kV