

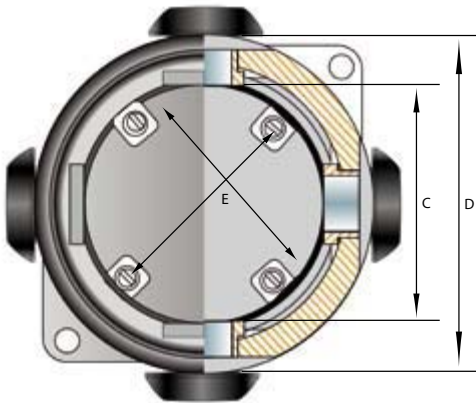
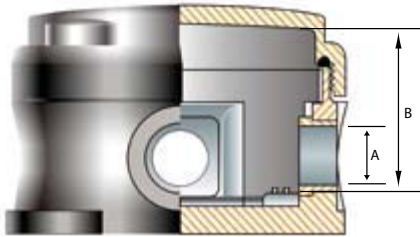
CCG Utility Box



The Utility Box is a general purpose junction box suitable for all surface industrial applications. It is manufactured from impact, corrosion and UV resistant glass reinforced polyester compound and provides 1,2,3 or 4 way versatility. Screw on lid provides ease of installation and when locked with the special locking key prevents unauthorised tampering.

- No exposed metal parts
- Dust and water proof to IP68 when used with approved Remora glands
- One box offers 1, 2, 3 or 4 way versatility for reduced stock holding
- No drilling or tapping of cable entries required
- Mounting studs provided for DIN rail terminals
- Internal earth continuity ring to earth gland entries

Material UV Resistant Glass Reinforced Polyester Compound
IP Ratings IP66 / 67/ 68
Standard SABS 2333 / IEC 600529



4 WAY	Size	Dimensions					Box Code
		A	B	C	D	E	
	1 - M20	M20x1.5	49	80	122	75	102101
	2 - M25	M25x1.5	53	110	158	86	102102



CCG Utility Box Assemblies

Through box assembly. IP66/67/68 weatherproof suitable for indoor / outdoor use, above and below ground. Ideal for industrial applications, outdoor lighting etc. Designed to join two steel wire armoured cables.

2 x M20 IP Plus Corrosion Guards glands for SWA cables.

2 WAY	Size	Entry Thread	Armoured Cable OD	Assembly Code
	M20s	M20x1.5	11.5 to 16mm OD	102101/A1
	M20	M20x1.5	14.5 to 21mm OD	102101/A2



3 Way box assembly. IP66/67/68 weatherproof suitable for indoor / outdoor use, above and below ground. Ideal for industrial applications, outdoor lighting etc. Designed to join two steel wire armoured cables and loop off with one flex cable.

2 x M20 IP Plus Corrosion Guards glands for SWA cables & 1 x M20 Posiflex gland for unarmoured cables.

3 WAY	Size	Entry Thread	Armoured Cable OD	Unarmoured Cable OD	Assembly Code
	M20s	M20x1.5	11.5 to 16mm OD	3 to 8mm OD	102101/A3
	M20s	M20x1.5	11.5 to 16mm OD	8 to 12mm OD	102101/A4
	M20	M20x1.5	14.5 to 21mm OD	11 to 14.5mm OD	102101/A5



4 Way box assembly. IP66/67/68 weatherproof suitable for indoor / outdoor use, above and below ground. Ideal for industrial applications, outdoor lighting etc. Designed to join two steel wire armoured cables and loop off with two flex cables.

2 x M20 IP Plus Corrosion Guards glands for SWA cables & 2 x M20 Posiflex gland for unarmoured cables.

4 WAY	Size	Entry Thread	Armoured Cable OD	Unarmoured Cable OD	Assembly Code
	M20s	M20x1.5	11.5 to 16mm OD	3 to 8mm OD	102101/A6
	M20s	M20x1.5	11.5 to 16mm OD	8 to 12mm OD	102101/A7
	M20	M20x1.5	14.5 to 21mm OD	11 to 14.5mm OD	102101/A8



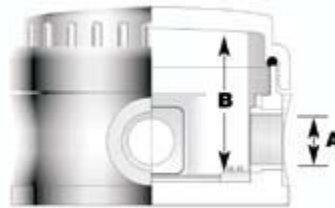
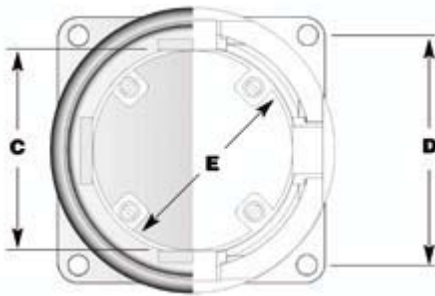
CCG Handifit Junction Box

The Handifit Box is a general purpose junction box suitable for all surface applications. It is manufactured from impact, corrosion and UV resistant glass reinforced polyester compound, and this provides 1,2,3 or 4 way versatility. Screw on lid provides ease of installation and when locked with the special locking key prevents unauthorised tampering.

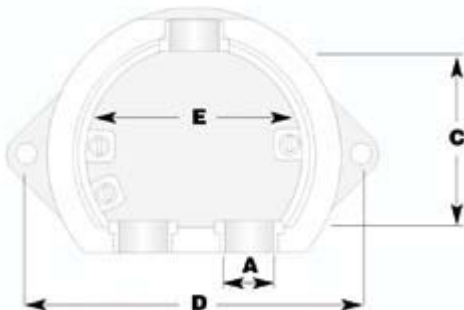


- No exposed metal parts
- Dust and water proof to IP68 when used with approved Remora glands
- One box offers 1, 2, 3 or 4 way versatility for reduced stock holding
- No drilling or tapping of cable entries required
- Mounting studs provided for DIN rail terminals
- Internal earth continuity ring to earth gland entries

Material UV Resistant Glass Reinforced Polyester Compound
IP Ratings IP68
Standard SABS 2333 / IEC 600529



4 WAY	Size	Dimensions					Box Code
		A	B	C	D	E	
	0 - M20s	M20x1.5	52	71	77	65	0650-0
	1 - M20	M20x1.5	58	89	90	80	065001
	2 - M25	M25x1.5	67	107	107	98	065002
	3 - M32	M32x1.5	105	165	167	140	065003



Y BOX	Size	Dimensions					Box Code
		A	B	C	D	E	
	0 - M20s	M20x1.5	52	61	107	65	0651-0
	1 - M20	M20x1.5	58	81	127	80	065101
	2 - M25	M25x1.5	67	91	150	98	065102
	3 - M32	M32x1.5	105	152	235	140	065103



CCG Posifit EExe Junction Box

The POSIFIT EExe 4-Way / Y-Boxes are supplied for use in increased safety areas. They are manufactured from impact, corrosion and UV resistant glass reinforced polyester compound, and provides 1,2,3 or 4 way versatility.

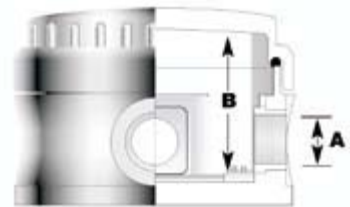
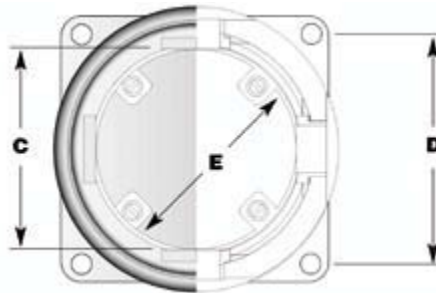


- No exposed metal parts
- Dust and water proof to IP68 when used with approved Remora glands
- One box offers 1, 2, 3 or 4 way versatility for reduced stock holding
- No drilling or tapping of cable entries required
- Mounting studs provided for DIN rail terminals
- Internal earth continuity ring to earth gland entries
- High temperature resistance & anti-static properties
- Raised dome lid facilitates connections to be made outside of the box

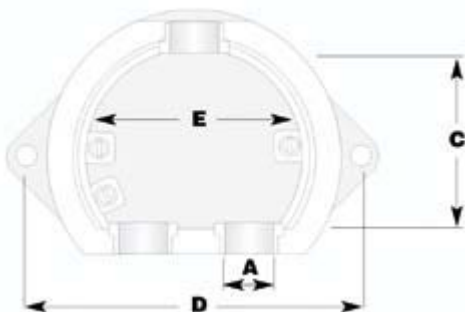


Material
IP Ratings
Standard

UV Resistant Glass Reinforced Polyester Compound
IP 66/6768
CENELEC / ATEX Zones 1, 2, 21 & 22 EExe II



4 WAY	Size	Dimensions					Box Code
		A	B	C	D	E	
	0 - M20s	M20x1.5	52	71	77	65	1003-0
	1 - M20	M20x1.5	58	89	90	80	100301
	2 - M25	M25x1.5	67	107	107	98	100302
	3 - M32	M32x1.5	105	165	167	140	100303



Y BOX	Size	Dimensions					Box Code
		A	B	C	D	E	
	0 - M20s	M20x1.5	52	61	107	65	1009-0
	1 - M20	M20x1.5	58	81	127	80	100901
	2 - M25	M25x1.5	67	91	150	98	100902
	3 - M32	M32x1.5	105	152	235	140	100903

Terminal Assembly
Option Page 63



EExe Terminal Assemblies

The POSIFIT EExe 4-Way / Y-Box terminal assemblies are available supplied & fitted ready for installation. All terminals fitted are Exe non-sparking. Below is a full list of available terminal assemblies.

Junction Box Size	Rail Size	Terminal Type & Size	Maximum Qty
0 - M20s	35	2.5 mm ²	4
0 - M20s	15	Mini 4mm ²	6
1 - M20	35	2.5 mm ²	10
1 - M20	35	4 mm ²	8
1 - M20	35	6 mm ²	6
1 - M20	35	10 mm ²	5
1 - M20	35	16 mm ²	4
1 - M20	15	Mini 4mm ²	8
2 - M25	35	2.5 mm ²	12
2 - M25	35	4 mm ²	10
2 - M25	35	6 mm ²	8
2 - M25	35	10 mm ²	7
2 - M25	35	16 mm ²	6
2 - M25	35	35 mm ²	3
2 - M25	35	50 mm ²	3
2 - M25	15	Mini 4mm ²	10
3 - M32	35	2.5 mm ²	20
3 - M32	35	4 mm ²	16
3 - M32	35	6 mm ²	12
3 - M32	35	10 mm ²	12
3 - M32	35	16 mm ²	10
3 - M32	35	25 mm ²	7
3 - M32	35	35 mm ²	6
3 - M32	35	70 mm ²	5
3 - M32	15	Mini 4mm ²	14



Junction Box Locking Key

Size	Description	Code
1 - M20	M20 Utility Locking Key	UTS1
2 - M25	M20 Utility Locking Key	UTS2

Size	Description	Code
0 - M20s	M20s Handifit / Posifit Locking Key	DIPS0
1 - M20	M20 Handifit / Posifit Locking Key	DIPS1
2 - M25	M25 Handifit / Posifit Locking Key	DIPS2
3 - M32	M32 Handifit / Posifit Locking Key	DIPS3

Size	Description	Code
TS32	2m length steel slotted rail	TS32-1
TS35	2m length steel slotted rail	TS35-1

Anti-tamper special locking key prevents unauthorised entry.

