

Midi Rotating Mirror Beacon – 885

Your benefits

The Midi Rotating Mirror Beacon provide flexible signalling over medium distances. The high protection rating IP65 ensures the safe operation in many areas – both indoor and outdoor applications.

- High intensity light thanks to halogen bulb in extremely compact housing
- Easy to connect, without removing the mechanical assembly

Typical applications

Signalling faults or relaying alarms

- in building service industry
- for electric gates and entry access systems
- on machinery and plant

Installation options

- Base mounting
- Tube mounting
- Bracket mounting with plastic bracket

Features

- Optional wire guard to protect against mechanical damage
- Quiet belt drive allows the beacon to be mounted and operated in any position, even upside down (with limited IP protection) or at 90° to the wall



Signalisation index	
Optical	
Rotating Mirror	7



Base mounting



Rotating Mirror Beacon 885 with tube and base (accessories)



Plastic bracket und wire guard (accessories)

885 Rotating Mirror Beacon

① TECHNICAL SPECIFICATIONS/ORDER SPECIFICATIONS:

	Base/Bracket mounting	Tube mounting
Dimensions (Ø x Height):	98 mm x 151 mm	98 mm x 200 mm
Housing:	PC/ABS-Blend	
Lens:	PC, transparent	
Connection:	Screw terminal max. 1.5 mm ²	
Cable entry:	Cable diameter 5-7 mm	
Installation position:	Standing, Tube mounting if required	
Halogen bulb:	G 6.35 20 W 12 V / 24 V	
Mirror rotation rate:	c. 180 r.p.m.	
Service life of drive	> 5,000 hrs	
Duty cycle:	100 %	

Halogen bulb included in assembly.

Base/Bracket mounting

Voltage:	12 V DC	24 V AC/DC	115 V AC / 115 V DC / 230 V AC / 230 V DC
Current consumption:	1.9 A	1.0 A	0.4 A / 0.2 A / 0.2 A / 0.1 A
red	885 100 54	885 100 75	885 100 78
green	885 200 54	885 200 75	885 200 78
yellow	885 300 54	885 300 75	885 300 78
blue	885 500 54	885 500 75	885 500 78

Tube mounting

Voltage:	12 V DC	24 V AC/DC	115 V AC / 115 V DC / 230 V AC / 230 V DC
Current consumption:	1.9 A	1.0 A	0.4 A / 0.2 A / 0.2 A / 0.1 A
red	885 110 54	885 110 75	885 110 78
green	885 210 54	885 210 75	885 210 78
yellow	885 310 54	885 310 75	885 310 78
blue	885 510 54	885 510 75	885 510 78

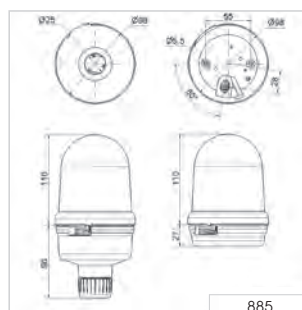
✂ ACCESSORIES:

Plastic bracket for wall mounting	975 826 05
Wire guard, galvanised, only for base mounting Tube Ø 25 mm, all anodised aluminium	975 826 03
100 mm long	975 845 10
250 mm long	975 840 25
Base for tube mounting, plastic, Ø 25 mm	975 840 90
Base for tube mounting, metal, Ø 25 mm	975 840 91

SPARE PARTS:

Halogen bulb 20 W/12 V for 12 V DC	
115 V AC/DC, 230 V AC/DC	955 885 24
Halogen bulb 20 W/24 V for 24 V AC/DC	955 885 25

← TECHNICAL DIAGRAM:



Signalisation index

Rotating Mirror 7