

Technical specifications:

Rated voltage: U_{nenn} = see below
 Current consumption: $I_{eff} = \leq 20\text{mA}$
 Audio frequency: approx. 2400 Hz
 Tone type: Continuous or pulse tone
 (Pulsating tone with approx. 1Hz)
 Duty cycle: 100 % ED
 Working life: >5000 h

Order specifications:

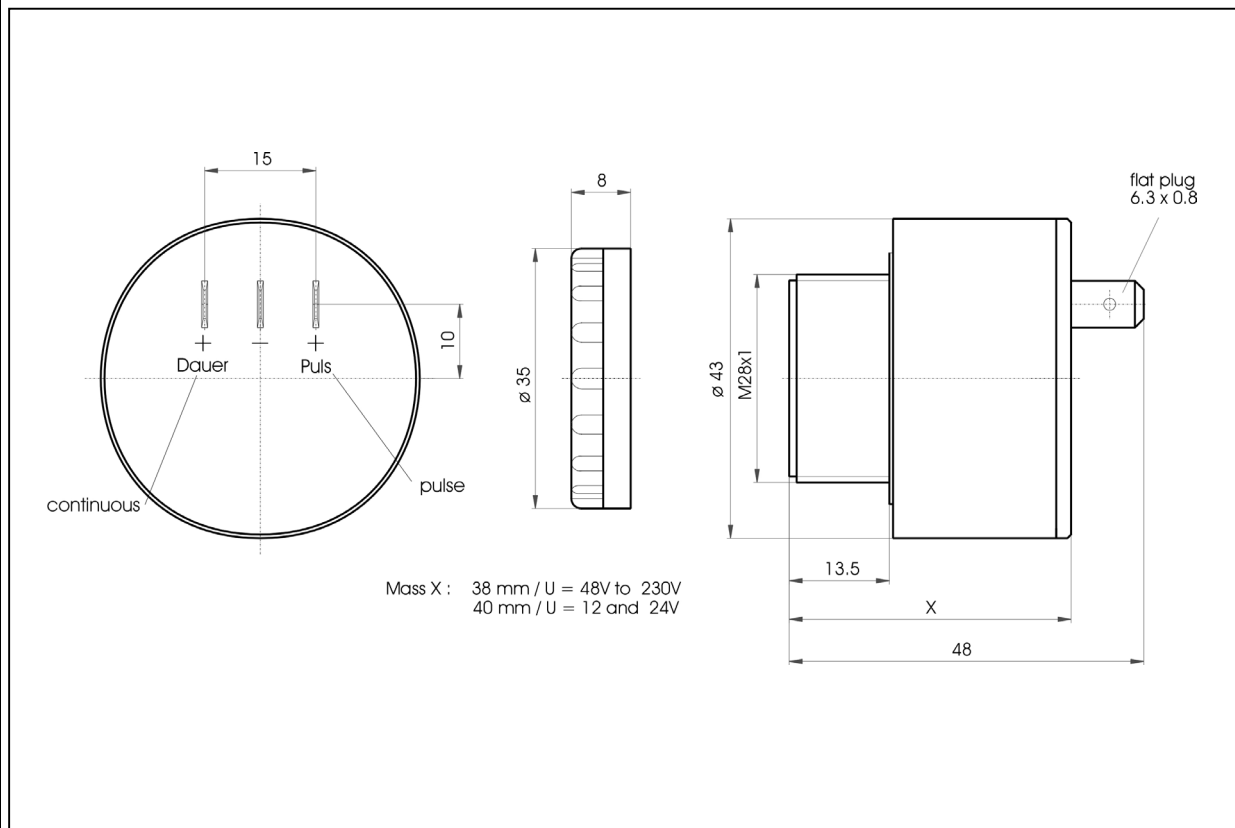
119 068 15 24 V (12-30V) AC/DC
 119 068 26 48 V (30-75V) AC/DC
 119 068 27 115 V (70-150V) AC/DC
 119 068 28 230 V (110-240V) AC

(other voltages on special request)

Further specifications:

Housing material: ABS, grey (ABS/PC-black on special request)
 Terminal: 3 x 6.3x0.8 Flat plug
 (1x joint mass, 1x pulse tone, 1x continuous tone)
 Weight: approx. 50 g
 Temperature: -20°C until + 60°C
 Sound output: 85 dB(A)±10%/1m
 Protection Rating: IP30
 IP43 with cap (special part)
 Regulations: Conform to current EC-regulations.
 UL-listed types on request.

All specifications refer to U_{nenn} and room temperature!



	Drawn up	proved	released	Data-sheet-No.
Name	E. Rudischhauser	S. Rudischhauser	H. Elsäßer	000 119 503
Date	2001-09-20	2001-09-24	2001-09-24	Page 1 of 1