

DRG. No.
PCG/ATX/CR

DO NOT SCALE OFF DRAWING "IF IN DOUBT ASK".
REPORT ALL ERRORS AND ALTERATIONS.

THIRD ANGLE PROJECTION

MARKING

1. EXAMPLE OF MARKING ON BAND: -
Exd IIC/Exe II/Ex tD A21
CR1B 20S PG16 BAS01ATEX2271X
PEPPERS GU15 3BT UK Ex II 2 GD
xx (Year Code) IP68
CExxxx (xxxx = Notified Body No.
as applicable)

2. SPECIAL MARKS: -

Ex II 3GD
Ex nR II
SIRA 09ATEX1221X

DRAWN ASC

DATE 27/04/09

CHECKED

APPROVED

CAD REF PCGATXCR

SCALE N.T.S

ISSUE

1. Original

2. Markings, inner sheath minima and title revised. Note (d) Special uses, balloon refs & parts list added

3. Lead continuity version added

4. Marking updated to comply with latest 60079 Series & to include ExtD marking.

5. 23/07/09 Updated to include Ex nR II marking.

6. 02/09/09 Updated to correct 82N and 82V seal information details and to correct skid washer drawings for gland assembly.

GLAND TYPE NUMBERING CONVENTION

1 GLAND TYPE CODES (SEALING AND TEMPERATURES)			
Code	INNER SEAL	OUTER SEAL	OPERATING TEMP. RANGE
1	PCG/ATX/82N	PCG/ATX/2MO	-20°C to +85°C
2 (a)	PCG/ATX/82N	PCG/ATX/2MO	-20°C to +85°C
3 (b)	PCG/ATX/82NS	PCG/ATX/2MOS	-60°C to +180°C
3 (b)	PCG/ATX/82NS	PCG/ATX/2MOZS	-60°C to +180°C

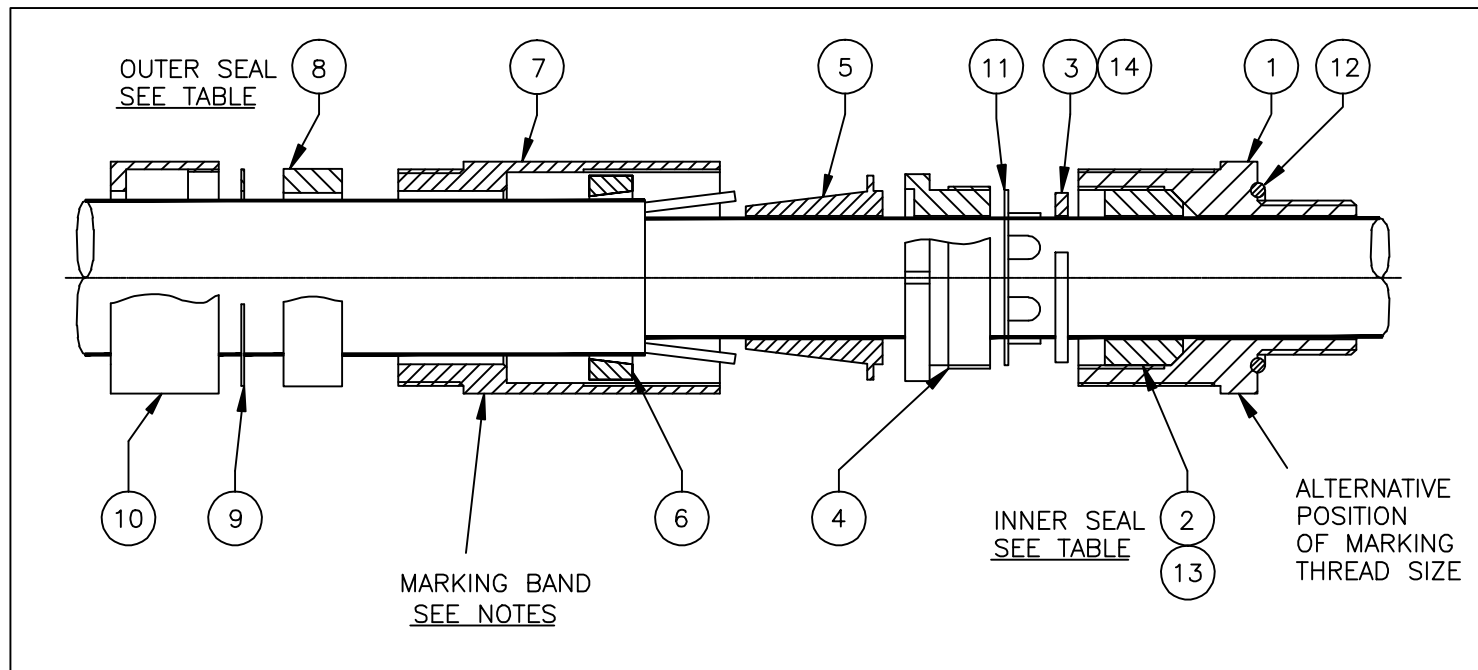
2 PEPPERS IDENTIFICATION CODES (MATERIALS & OTHER OPTIONS)	
Code	MEANING
B	COMPONENTS ARE BRASS
S	COMPONENTS ARE STAINLESS STEEL
R	REDUCED BORE - USES OUTER SEAL PART 2MOZS. AVAILABLE WITH ANY TYPE CODE

NOTES

- a Code 2 glands are fitted with part 11 continuity washer. Only available in types CR-2** sizes 20S-100
 - b Silicone Seals are coloured white (Part 82NS, 2MOS) or red (Parts 2MOZS)
 - c Hybrid (H) sizes use mid-cap 5V, outer seal 2M, outer skid 11MO and outer cap 6M from next size gland above.
 - d Size 16 glands are assembled from Size 20S parts except the 2MO seals. The 82N seal is replaced with the 82V seal.
 - e Size 50s and 50 glands use 82V seals in place of 82N seals and 91V skid washers, in place of 91A skid washers.
 - f Nitrile O-rings part OR are used with code 1 & 2 glands. Silicone O-rings part OR are used with code 3 glands.
- Special uses for this gland: -**
 Provided the cable is rigidly restrained close to the entry,
 (1) Braid or screen may be clamped in the armour clamp
 (2) Braid/screen/armour may be passed through the gland for clamping inside the terminating equipment

X-REFS: -

CSCR
TABCR
ISSCR2
CA0



PARTS LIST & CERTIFICATE CROSS-REFERENCE

Balloon Ref	Part Description	Drawing Number	Other Certificate Nos. used on	Other Certificate Nos. used on	Other Certificate Nos. used on
1	ENTRY BODY	PCG/ATX/1V	--	--	--
2	INNER SEAL	PCG/ATX/82N	SIRA 01ATEX1272X	SIRA 03ATEX1479X	--
3	INNER SKID WASHER	PCG/ATX/91A	SIRA 01ATEX1272X	SIRA 03ATEX1479X	--
4	COMPRESSION NUT	PCG/ATX/8V	--	--	--
5	CONE	PCG/ATX/3V	--	--	--
6	CLAMP RING	PCG/ATX/10V	SIRA 03ATEX1479X	--	--
7	MIDDLE CAP	PCG/ATX/5V	SIRA 03ATEX1479X	--	--
8	OUTER SEAL	PCG/ATX/2M	SIRA 01ATEX1271X	SIRA 03ATEX1479X	SIRA 01ATEX3273X
9	OUTER SKID WASHER	PCG/ATX/11M	SIRA 01ATEX1271X	SIRA 03ATEX1479X	SIRA 01ATEX3273X
10	OUTER CAP	PCG/ATX/6M	SIRA 01ATEX1271X	SIRA 03ATEX1479X	SIRA 01ATEX3273X
11	Continuity Washer	PCG/LW3	SIRA 01ATEX1272X	--	--
12	O-RING SEAL	PCG/OR	--	--	--
13	INNER SEAL	PCG/ATX/82V	SIRA 01ATEX1272X	SIRA 03ATEX1479X	--
14	INNER SKID WASHER	PCG/ATX/91V	--	--	--

GLAND SIZE (c)	ARMOUR DIA/THICKNESS STEEL WIRE & TAPE (Universal) or Braid/Screen(d)	INNER SHEATH		OUTER SHEATH		REDUCED BORE	
		MIN	MAX	MIN	MAX	MIN	MAX
16	0.15 - 1.25	3.4	8.4	9.0	13.5	6.7	10.3
20S	0.15 - 1.25	7.2	11.7	12.9	16.0	9.4	12.5
20	0.15 - 1.25	9.4	14.0	15.5	21.1	12.0	17.6
25	0.15 - 1.6	13.5	20.0	20.3	27.4	16.8	23.9
32	0.15 - 2.0	19.5	26.3	26.7	34.0	23.2	30.5
40	0.2 - 2.0	23.0	32.2	33.0	40.6	28.6	36.2
50S	0.2 - 2.5	28.1	38.2	39.4	46.7	34.8	42.4
50	0.3 - 2.5	33.1	44.1	45.7	53.2	41.1	48.5
63S	0.3 - 2.5	39.2	50.1	52.1	59.5	47.5	54.8
63	0.3 - 2.5	46.7	56.0	58.4	65.8	53.8	61.2
75S	0.3 - 2.5	52.1	62.0	64.8	72.2	60.2	68.0
75	0.3 - 2.5	58.0	68.0	71.1	78.0	66.5	73.4
80	0.45 - 3.15	62.2	72.0	77.0	84.0	--	--
80H	0.45 - 3.15	62.2	72.0	79.6	90.0	--	--
85	0.45 - 3.15	69.0	78.0	79.6	90.0	75.0	85.4
90	0.45 - 3.15	74.0	84.0	88.0	96.0	--	--
90H	0.45 - 3.15	74.0	84.0	92.0	102.0	--	--
100	0.45 - 3.15	82.0	90.0	92.0	102.0	87.4	97.4

THIS DRAWING IS OF A CERTIFIED COMPONENT, AND NO CHANGES MUST BE MADE WITHOUT REFERENCE TO THE CERTIFYING AUTHORITY.



PEPPERS CABLE GLANDS LIMITED

STANHOPE ROAD, CAMBERLEY, SURREY, UK.
TEL +44 (0)1276 64232, FAX +44 (0)1276 691752

TITLE ATEX RANGE GLANDS
FOR ARMoured/UNARMoured/BRAIDed/
SCREENED CABLE - CR-*** FAMILY

The design and manufacturing information contained in this drawing is the exclusive right of PEPPERS CABLE GLANDS LTD and must not be copied or used for manufacturing purposes without express authority in writing from the said company.

DRG. No.

PCG/ATX/CR

ISSUE 6