

GNEx P2 X10C X10R DC024 A B 1 Z 1 R

ISSUE	MOD No.	REASON - INITIAL - DATE
1		Introduction MV 13/10/2016

1-OFF Clear B2 Beacon - Beacon 1
 1-OFF Red B2 Beacon - Beacon 2
 24V DC

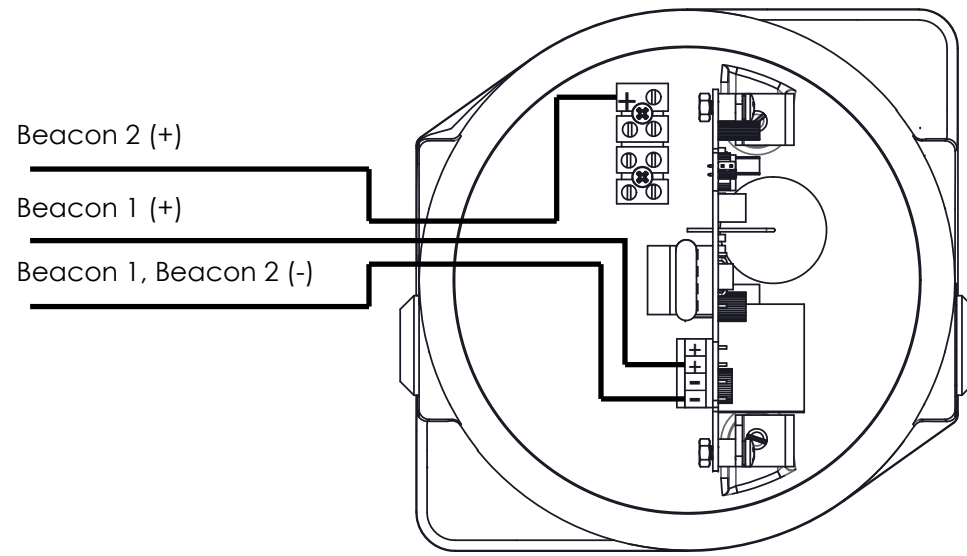
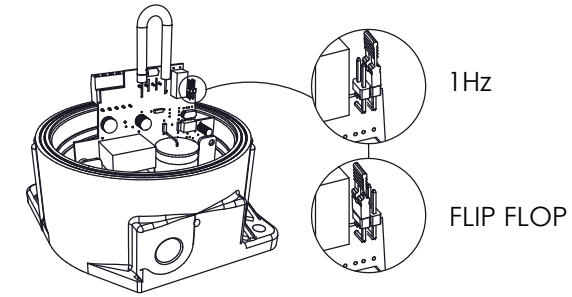
Brass Stopping Plugs
 Beacon Guard - Grade 304 Stainless Steel
 ATEX/IECEX Approved - Beacons
 SW4926v1.10 Flip Flop Software

As special flip flop software is loaded on these beacons, stage 2 is no longer available, to function as it would on a beacon with standard software
 Housing & Plate - RED

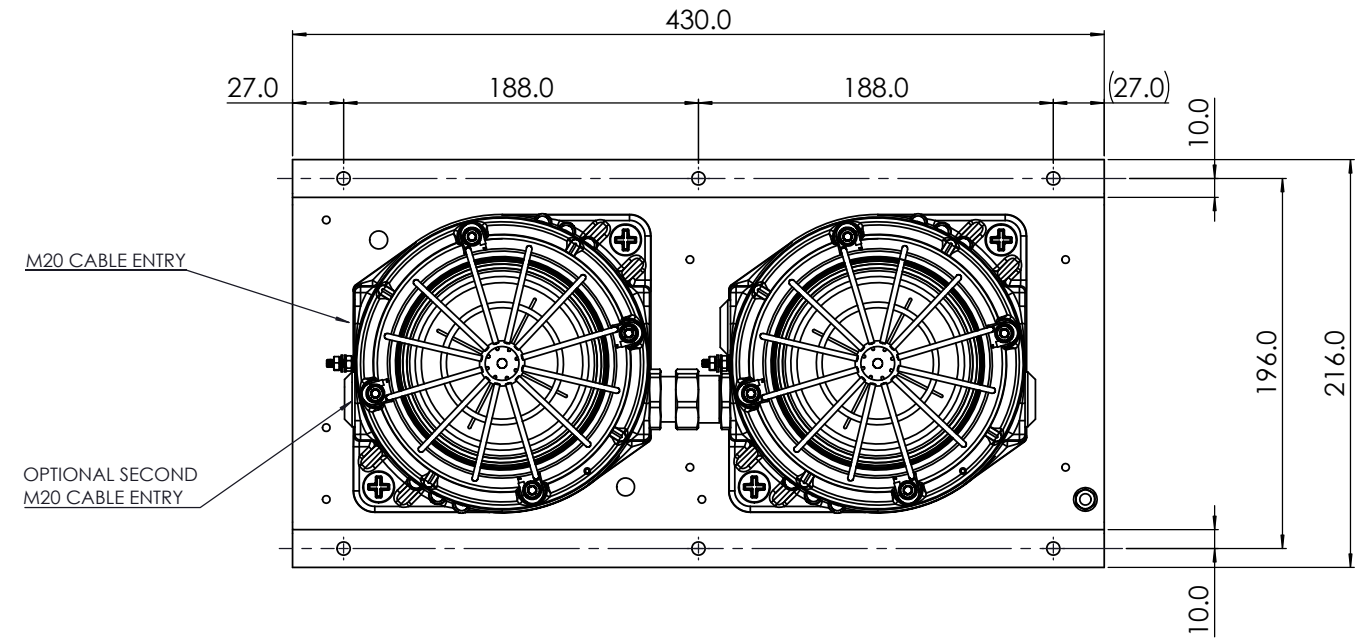
Holes 6 off Mounting Holes 7.0mm Dia.
 Mounting Plate Material: 2.0mm Stainless Steel
 Finish: Epoxy Power Coat RAL 3000 (Semi Gloss)

FACTORY SETTING FOR FLIP FLOP SOFTWARE MODE

BEACON 1 WILL BE SET TO 1Hz &
 BEACON 2 WILL BE SET TO FLIP FLOP MODE (1Hz - 500µs out of phase)

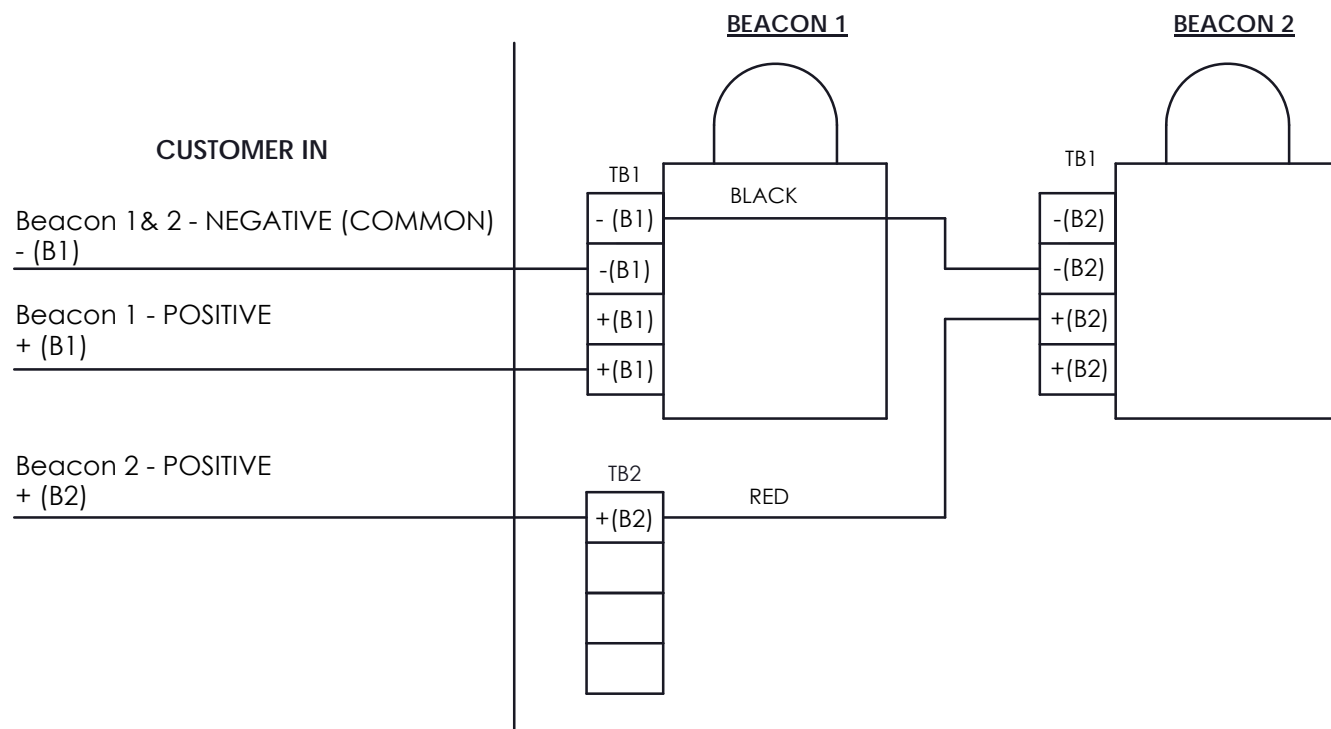
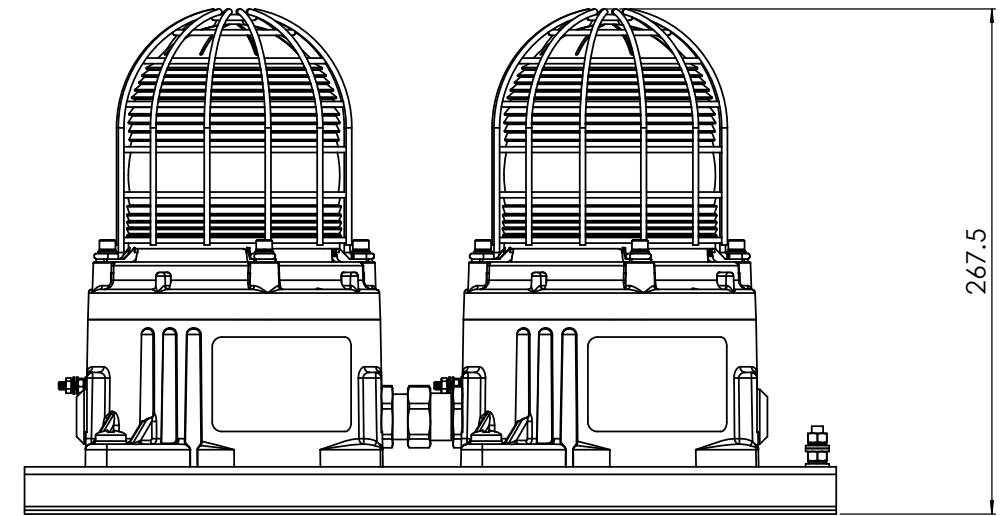


WIRING INTO BEACON 1



BEACON 1
CLEAR

BEACON 2
RED



DRAWING TO BS888:2000 GEOMETRIC TOLERANCES TO ISO1101:1983 LINEAR DIMENSIONAL TOLS ANGULAR DIMENSIONAL TOLS	DRAWN	DATE	SURFACE FINISH	WEIGHT (kg)	THIS DRAWING AND ANY INFORMATION OR DESCRIPTIVE MATTER THEREIN IS COMMUNICATED IN CONFIDENCE AND IS THE COPYRIGHT PROPERTY OF EUROPEAN SAFETY SYSTEMS LTD. NEITHER THE WHOLE OR ANY EXTRACT MAY BE DISCLOSED, LOANED, COPIED OR USED FOR MANUFACTURING OR TENDERING PURPOSES WITHOUT THEIR WRITTEN CONSENT.	 EUROPEAN SAFETY SYSTEMS LTD IMPRESS HOUSE MANSELL ROAD ACTON LONDON W3 7QH WWW.ESS.COM	ALL DIMENSIONS IN MM IF IN DOUBT, ASK - DO NOT SCALE	 A1	
	CHECKED	DATE	MATERIAL						
STANDARDS GNEx Plate	APPROVED	DATE	ALTERNATIVE MATERIAL		© EUROPEAN SAFETY SYSTEMS LTD. AS PER LATEST DATE OF ISSUE SHOWN ABOVE	TITLE GNExP2 - PLATED ASSEMBLY - SPECIAL 2 WAY B2 BEACON FLIP FLOP SOFTWARE	SCALE 1:1	SHEET 1 OF 1	DRAWING NUMBER D208-00-900-IS
		DATE							