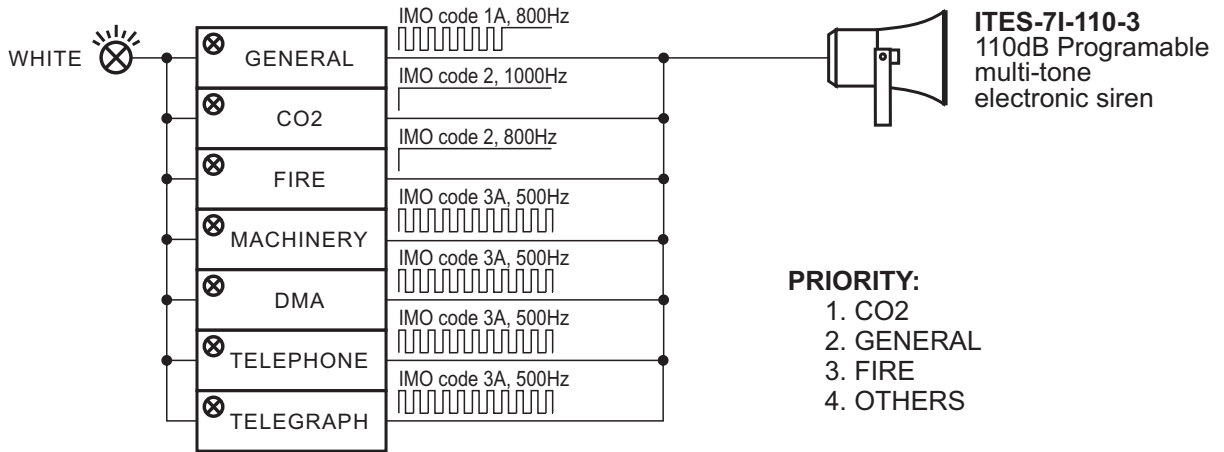


ENGINE ROOM SIGNALIZATION SYSTEM

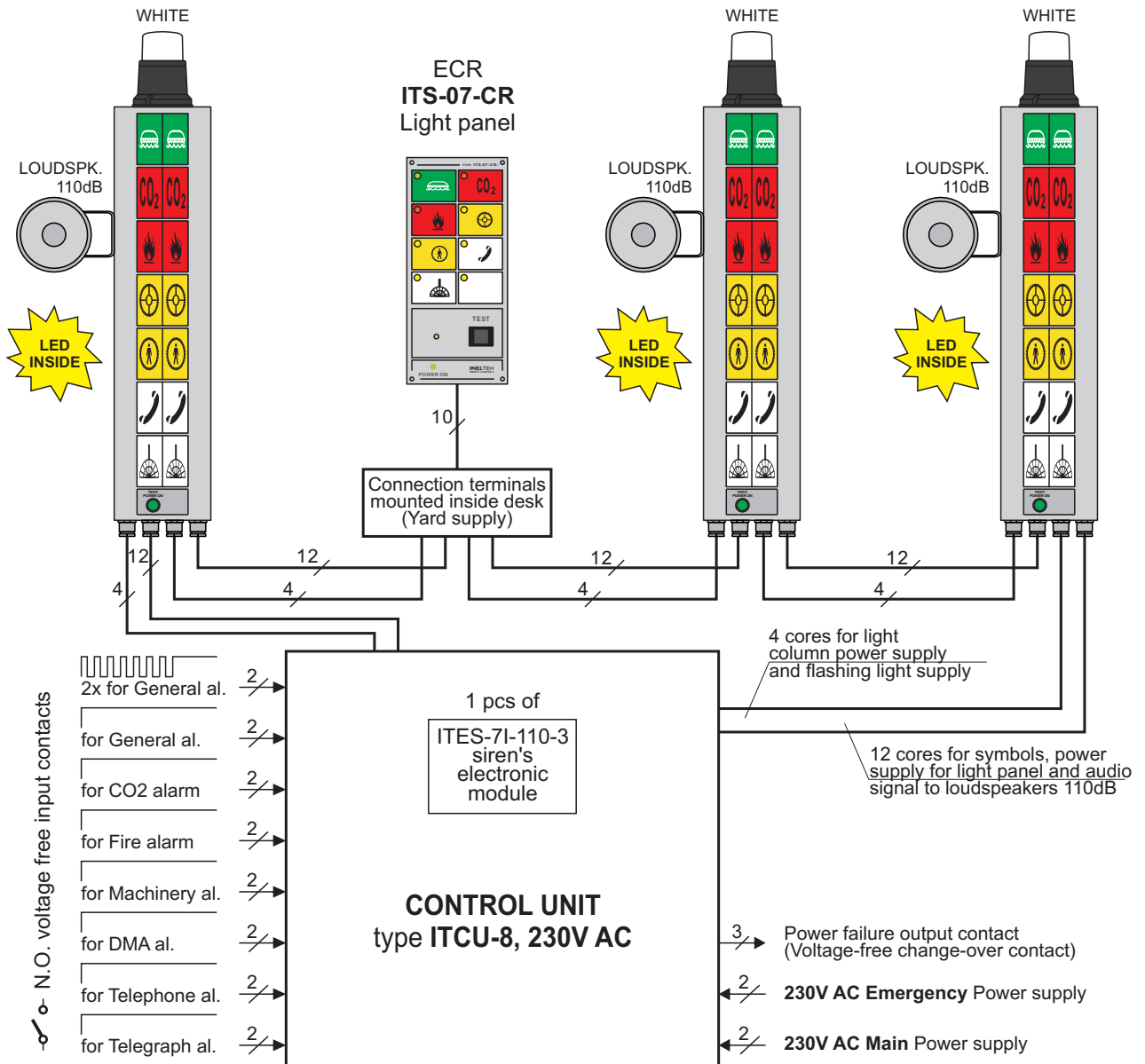
*ER Signalization,
Marin Supply,
I-17581*



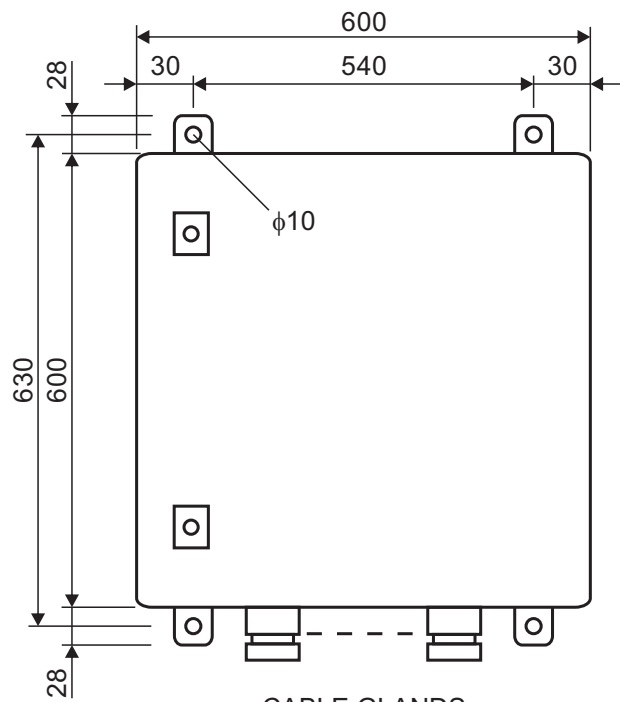
Workshop
ITS-07-ER-230-L-1FL-1S
Light column

Engine Room SB
ITS-07-ER-230-L-1FL-1S
Light column

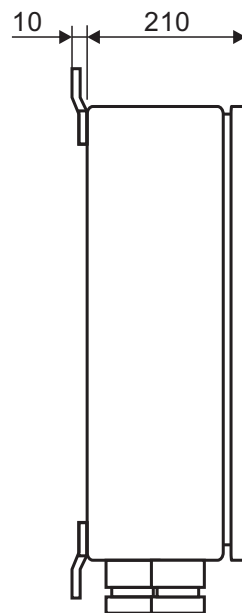
Engine Room PS
ITS-07-ER-230-L-1FL-1S
Light column



			Date	Name	Title: ENGINE ROOM SIGNALIZATION SYSTEM Block diagram
			Project.		
			Constr.	23.11.16. Aleksić	
			Check		
Rev	Changes	Date/Sign			
This drawing is the property of INELTEH d.o.o. and must not be reproduced, copied or distributed, entirely or in part, without written permission of INELTEH d.o.o.					
			Identity:	File: ER Signalization, block, Marin Supply, I-17581.cdr	Page/of 1/4

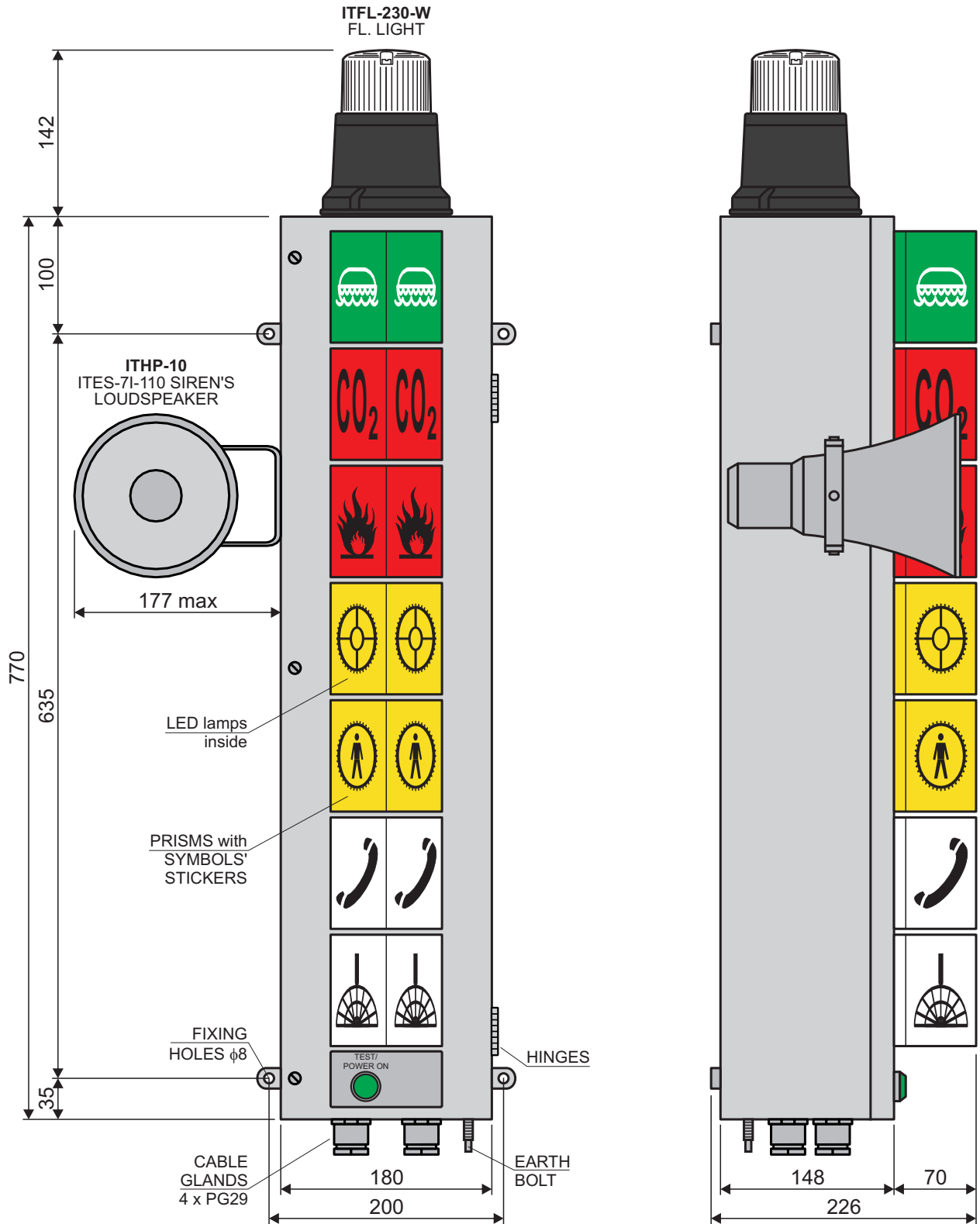



CABLE GLANDS

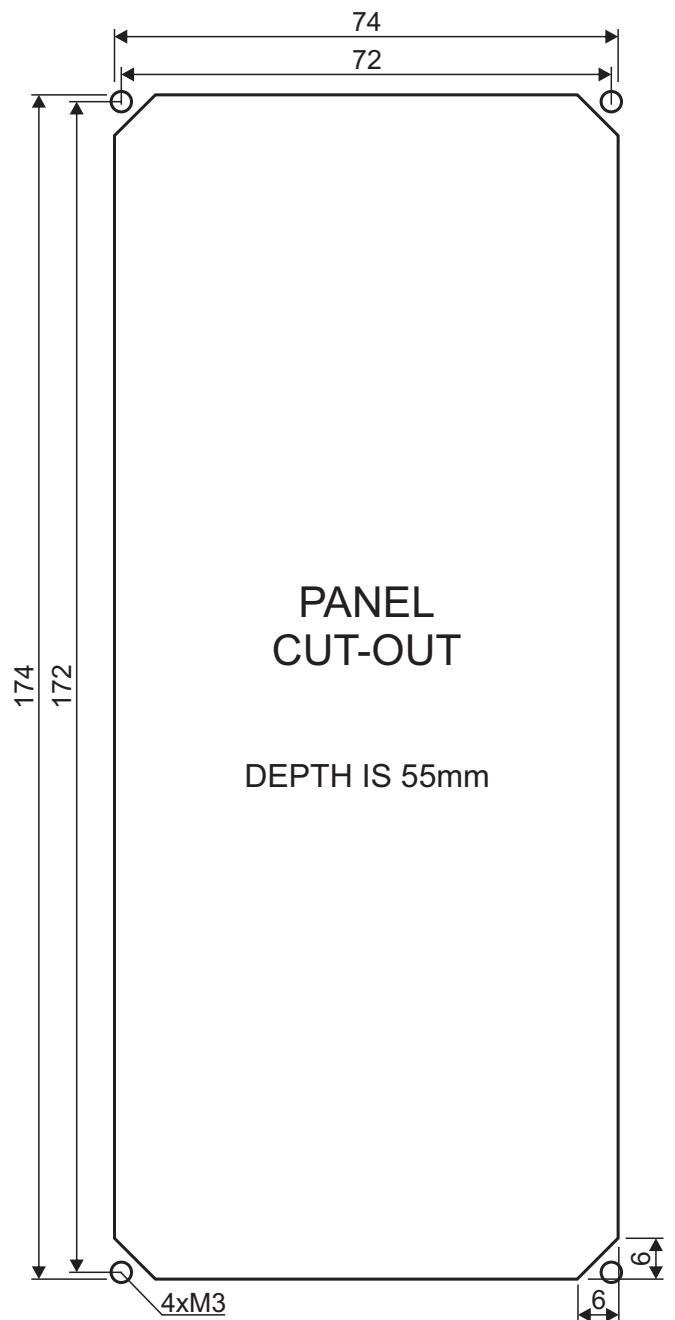
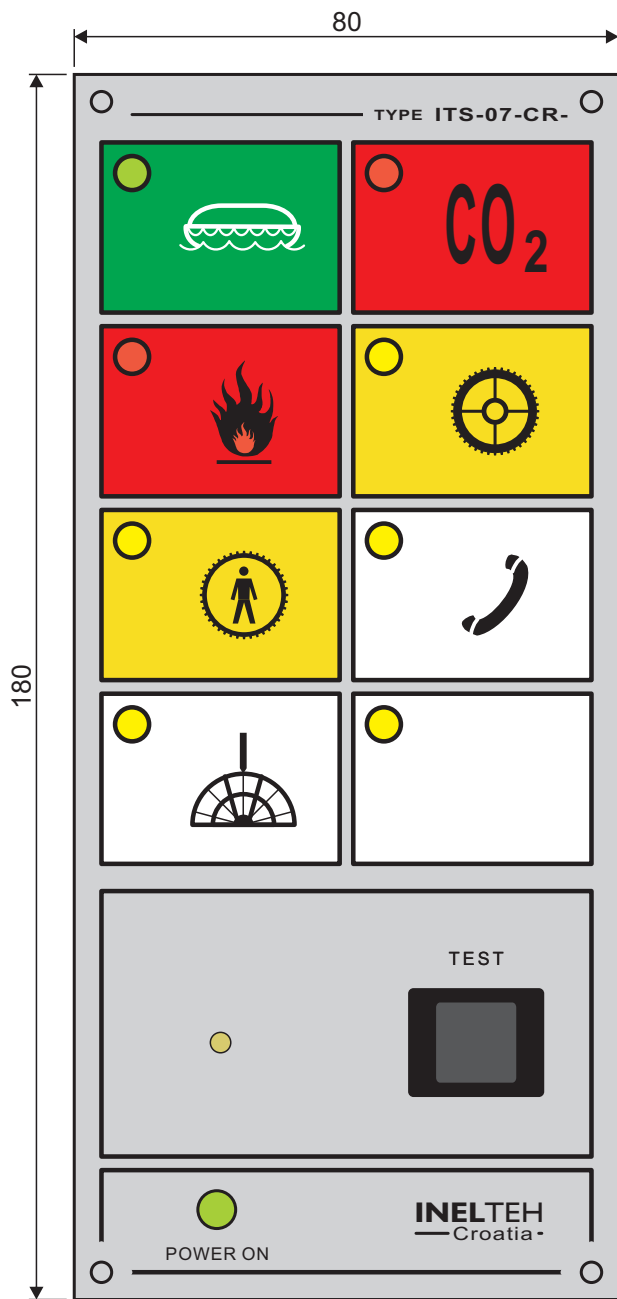



LEAVE 700mm FOR DOOR OPENING

			Date	Name	Title: CONTROL UNIT type ITCU-8 Outlines
			Project.		
			Constr.	23.11.16. Aleksić	
			Check		
Rev	Changes	Date/Sign			Identity:
<small>This drawing is the property of INELTEH d.o.o. and must not be reproduced, copied or distributed, entirely or in part, without written permission of INELTEH d.o.o.</small>					File: ITCU-8, outlines, Marin Supply, I-17581.cdr



			Date	Name	Title: LIGHT COLUMN type ITS-07-ER-230-L-1FL-1S Front view and outlines
		Project.			
		Constr.	23.11.16.	Aleksić	
		Check			
Rev	Changes	Date/Sign	 INELTEH ENGINEERING FOR ELECTRONIC EQUIPMENT AND SYSTEMS		
This drawing is the property of INELTEH d.o.o. and must not be reproduced, copied or distributed, entirely or in part, without written permission of INELTEH d.o.o.					
			Identity:	File: ITS-07-ER-230-L-1FL-1S, out, Marin Supply, I-17581.cdr	Page/of 3/4



			Date	Name	Title: LIGHT PANEL type ITS-07-CR Front view and outlines, flush mounting
		Project.			
		Constr.	23.11.16.	Aleksić	
		Check			
Rev	Changes	Date/Sign	 ENGINEERING FOR ELECTRONIC EQUIPMENT AND SYSTEMS		Identity:
<small>This drawing is the property of INELTEH d.o.o. and must not be reproduced, copied or distributed, entirely or in part, without written permission of INELTEH d.o.o.</small>					File: ITS-07-CR, outlines, Marin Supply, I-17581.cdr