

**GLAND TYPE NUMBERING**

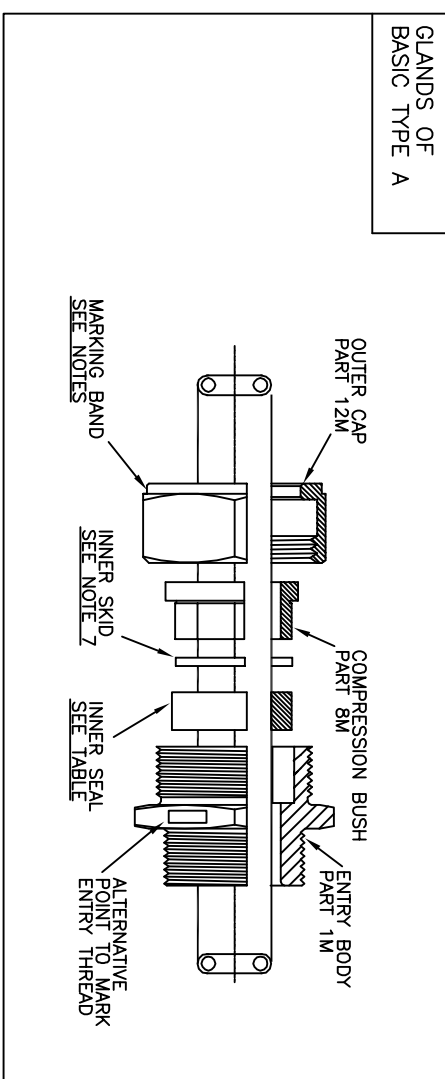
A8F XXX XXXX = Gland Type and Part Number code  
 Thread type & size  
 Gland size  
 Dual Certified d (flameproof) and e (increased safety)  
 Seal Code (See Table)  
 Gland type providing cable retention and sealing using seal only

**SEAL CODES, PART NOS., MATERIALS & TEMPERATURES**

Code	INNER	OUTER	TEMPERATURE RANGE (1)
8	72MIS	-	-60°C to +180°C Operating

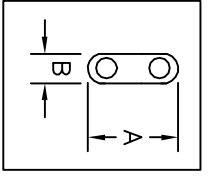
- NOTES**
- Seals are marked with max/min temperature
  - These glands are primarily intended for use with unarmoured cable, but they may be used with other types, provided the installation meets the requirements of BS EN 60079 Part 14.
  - On size 20, cable dimension A may exceed the values shown in the table by 0.5 mm, provided dimension B is not less than 6.0 mm.
  - Size 20R glands use same components as size 20, except that seals are 72MIS/20R.
  - Inner skid, part 11MR, is only used on Size 20R.
  - Non-standard threads shown on PCG/ETDMV may be used on the entry body part 1M.

**GENERAL NOTE**  
 To minimise galvanic corrosion, the metallic gland components are made from similar materials



**GLANDS OF BASIC TYPE A**

GLAND SIZE	BRAID DIAMETER		INNER DIMENSIONS		OUTER DIMENSIONS	
	MIN	MAX	MIN	MAX	MIN	MAX
16	-	-	A	B	A	B
20S	-	-	-	-	6.3	4.0
20	-	-	-	-	10.3	5.6
20R	-	-	-	-	8.1	5.8



THIS DRAWING IS OF A CERTIFIED COMPONENT, AND NO CHANGES MUST BE MADE WITHOUT REFERENCE TO THE CERTIFYING AUTHORITY.

**PEPPERS CABLE GLANDS LIMITED**  
 STANHOPE ROAD, CAMBERLEY, SURREY, UK  
 TEL +44 (0)1276 64232, FAX +44 (0)1276 691752

**PEPPERS**

TITLE ATEX INSTRUMENT RANGE  
 FLAT CABLE (HEAT TRACE) UNARMoured  
 TYPE A8F

The design and manufacturing information contained in this drawing is the property of Peppers Cable Glands Ltd and must not be copied or used for manufacturing purposes without express authority in writing from the said company.

DRG. No. PCG/ATX/UF  
 ISSUE 4