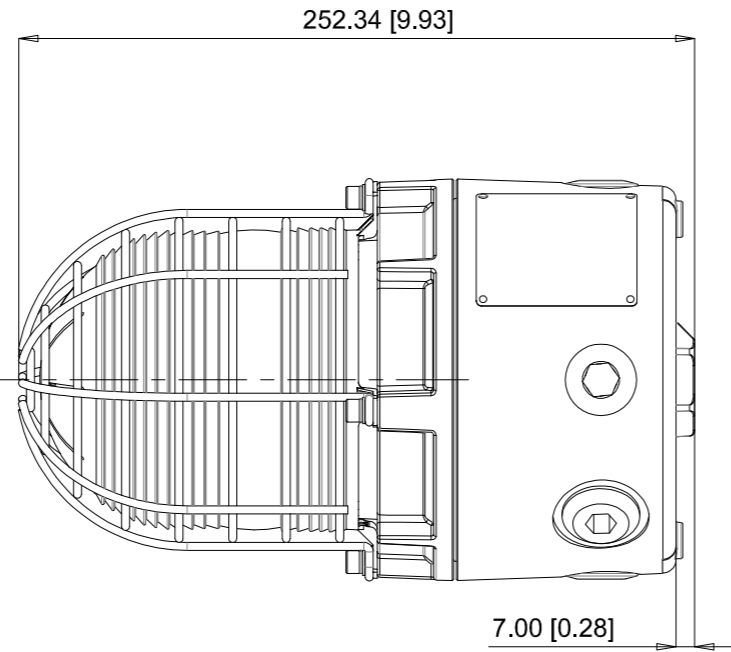
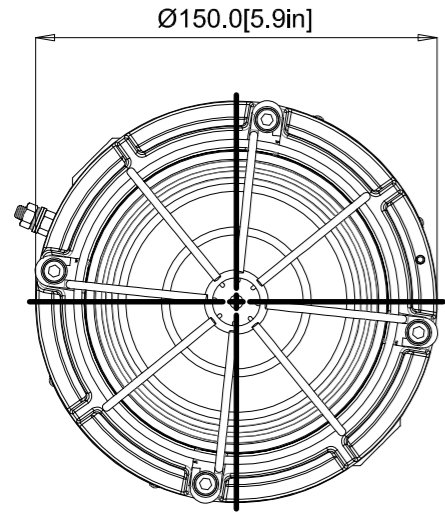
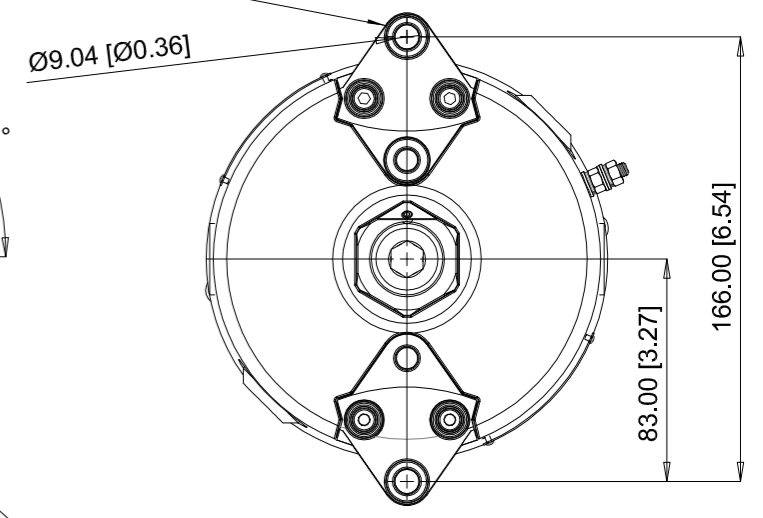
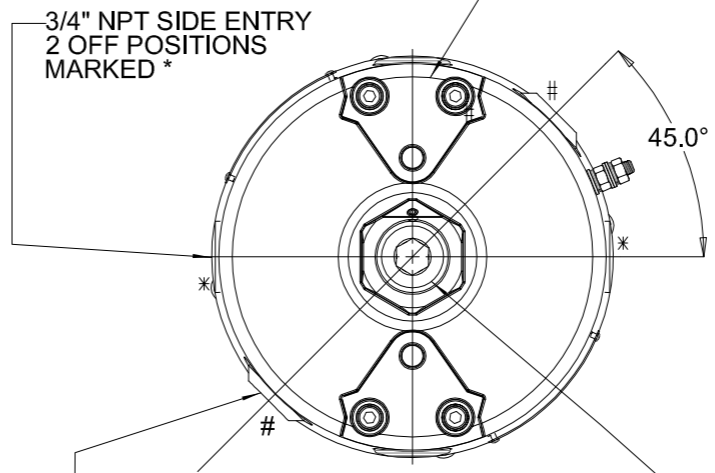


ISSUE	MOD No.	REASON - INITIAL - DATE
1		INTRODUCTION RSR 05-07-2018
2		CORRECTED PART NO.S AND DESCRIPTIONS RSR 21-01-2019



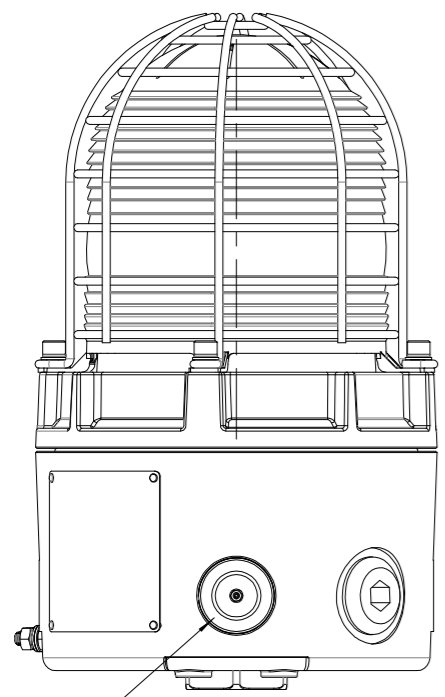
2 OFF FEET SUPPLIED IN STOWED POSITION
SUITABLE FOR CONDUIT OR BRACKET
MOUNTING BEACON
RETAINED BY 2 OFF M5 SCREWS PER FOOT



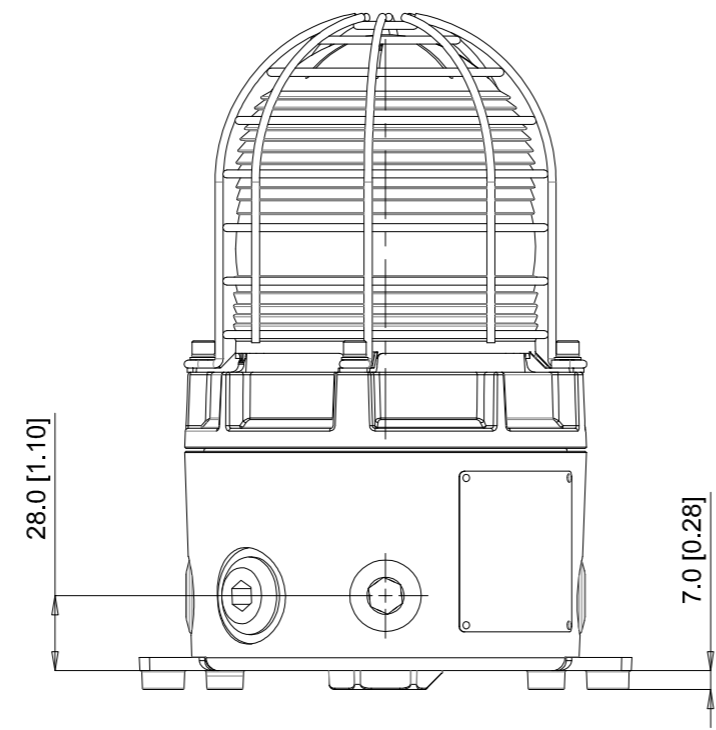
M20x1.5 SIDE ENTRY
2 OFF POSITIONS
MARKED #

3/4" NPT CONDUIT ENTRY
FOR CONDUIT MOUNTING
BEACON

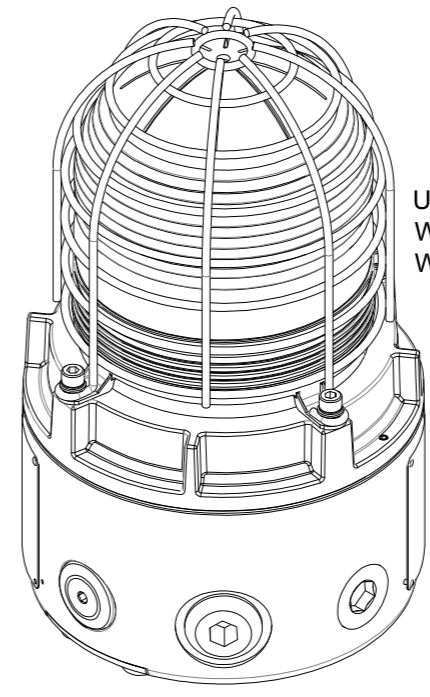
BASE CONFIGURED WITH MOUNTING
FEET SET OUT FOR SURFACE MOUNTING
BEACON



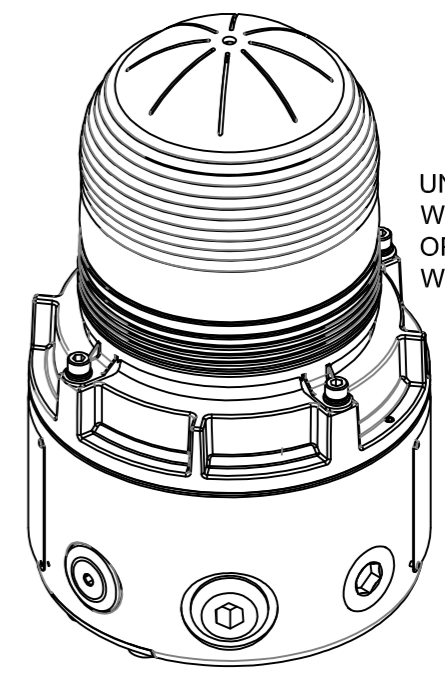
BRACKET MOUNTING COVER BOSSES
2 POSITIONS
REMOVED WHEN OPTIONAL BRACKET SP77-0001
IS TO BE MOUNTED



BASE CONFIGURED WITH MOUNTING
FEET SET OUT FOR SURFACE MOUNTING
BEACON



UNIT SHOWN
WITH OPTIONAL
WIRE GUARD



UNIT SHOWN
WITHOUT
OPTIONAL
WIRE GUARD

E2S PART No.	DESCRIPTION	DATA REFERENCE
D1xB2X05	D1xB2 5J XENON BEACON PRIVATE MODE UL1638	1-21-202
D1xB2X10	D1xB2 10J XENON BEACON PRIVATE MODE UL1638	1-21-203
D1xB2X15	D1xB2 15J XENON BEACON PRIVATE MODE UL1638	1-21-204
D1xB2X21	D1xB2 21J XENON BEACON PRIVATE MODE UL1638	1-21-205
D1xB2LD2	D1xB2 LED BEACON	1-21-206

DRAWING TO BS8888:2000 GEOMETRIC TOLERANCES TO ISO1101:1983 LINEAR DIMENSIONAL TOLS ANGULAR DIMENSIONAL TOLS	STANDARDS	
	DRAWN	R.S.RAIT 05-07-2018
	CHECKED	R.N.POTTS 05-07-2018
	APPROVED	R.N.POTTS 05-07-2018

SURFACE FINISH	WEIGHT (kg)
MATERIAL	
ALTERNATIVE MATERIAL	

THIS DRAWING AND ANY INFORMATION OR DESCRIPTIVE
MATTER THEREIN IS COMMUNICATED IN CONFIDENCE AND
IS THE COPYRIGHT PROPERTY OF EUROPEAN SAFETY
SYSTEMS LTD. NEITHER THE WHOLE OR ANY EXTRACT MAY
BE DISCLOSED, LOANED, COPIED OR USED FOR
MANUFACTURING OR TENDERING PURPOSES WITHOUT THEIR
WRITTEN CONSENT.

EUROPEAN SAFETY SYSTEMS LTD.
AS PER LATEST DATE OF ISSUE SHOWN ABOVE



ALL DIMENSIONS IN MM IF IN DOUBT, ASK - DO NOT SCALE			A2
TITLE: D1xB2X & D1xB2LD2 BEACON - OUTLINE DRAWING			
SCALE: 1:1	SHEET: 1 OF 1	DRAWING NUMBER: D191-05-201	