

2x Ø 16,0 ±0,10  
 ⊕ Ø 0.2 M A B

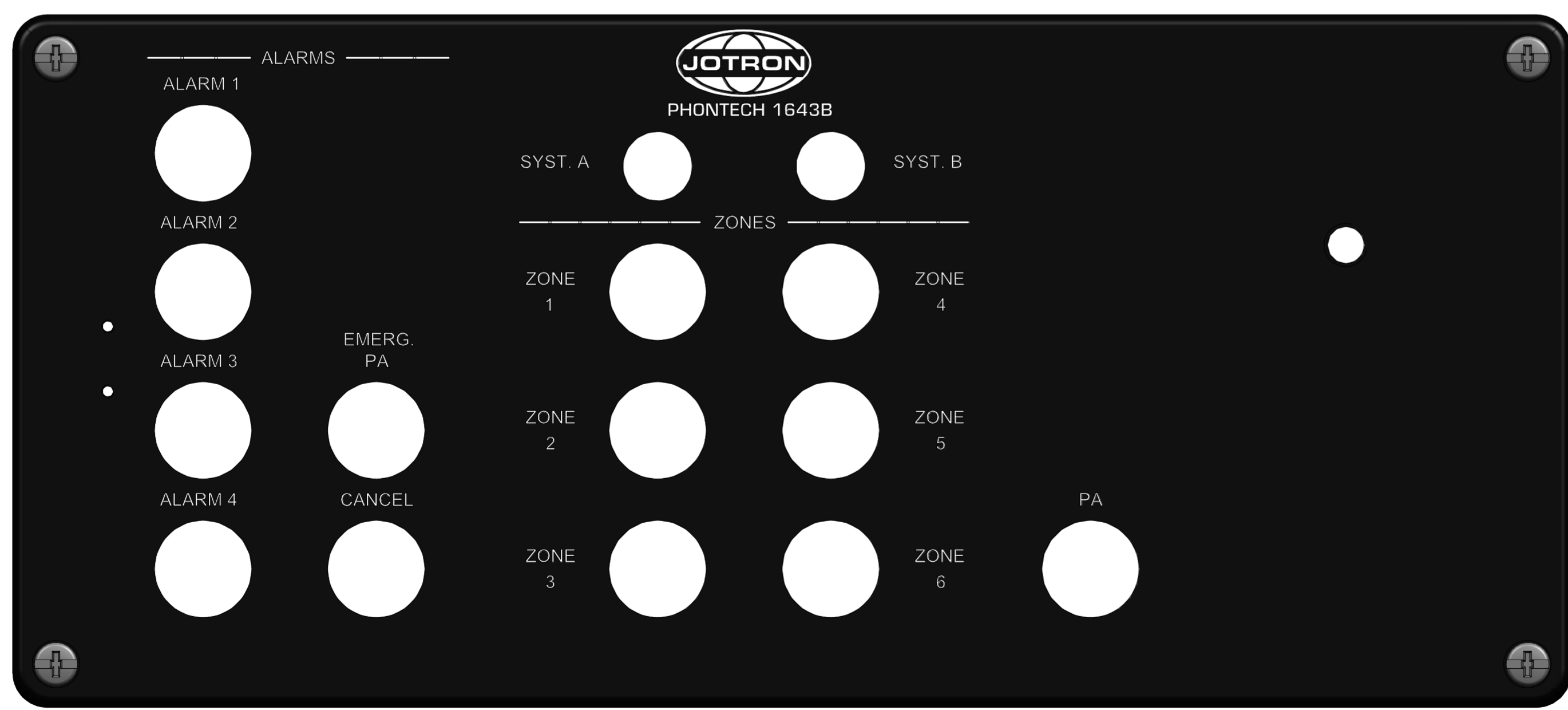
M10 x1  
 107 +0,10  
 -0,10

2x M3  
 ⊕ Ø 0.3 A B

12x Ø22,5 ±0,10  
 ⊕ Ø 0.2 M A B

308 +0,10  
 -0,10

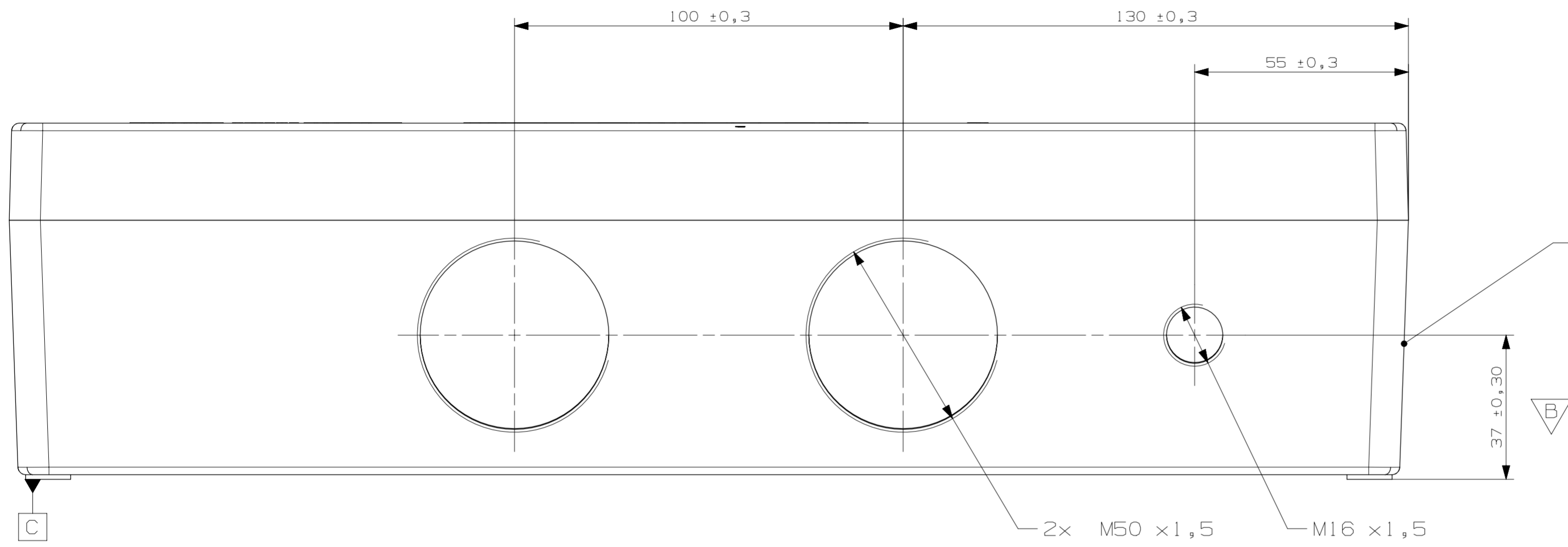
All text and logo on this surface  
 See Notes:



- Notes:
1. Text and logo to be engraved, depth 0.5mm.
  2. Deburr and fill engraved areas with Quick paint, Colour : Signal White (Ra1 9003).
  3. Remove all excess paint.

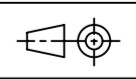

Rev	CN	Sign	Date	Description / Change
A		MK	04.03.2016	First version
Revision History				

Material/Density/Mass:		This drawing is property of Jottron AS and must not be duplicated or used for manufacturing of any parts disclosed herein without permission from Jottron AS.		
Jottron P/N: 19052		General Surface Roughness Ra: RA3,2		
General tolerance: DIN 16901-140		Date: See Revision History		
Approved: --	Original model: --	Original draft: --	JOTRON	
Abtech BPGC10 mod for Phonetech 1643b		Size: A2	Scale: 1:1	Sheet: 1/2
		19633	Rev: A	



ABTECH Productlabel to be placed on bottom part, at this surface.

Rev	CN	Sign	Date	Description / Change
A		MK	04.03.2016	First version
Revision History				

Material/Density/Mass: Jotron Pkt 19052		This drawing is property of Jotron AS and must not be duplicated or used for manufacturing of any parts disclosed herein without permission from Jotron AS.	
General tolerance DIN 16901-140	General Surface Roughness Rat: RA3,2		
Approved:	Original model: Original draft:		
Abtech BPGC10 mod for Phonetech 1643b		Size: A2	Scale: 1:1
		Sheet: 2/2	Rev: A
		19633	