

1

L101H ALERTALIGHT

High Powered LED Array Beacon
 24 x High Powered LEDs
 Two modes : Steady , Flashing 1 Hz
 IP Rating: IP65
 Temp: -25°C to +50°C
 Unit weight: 200g
 CE

Order code	Voltage
L101HDC[b][x]/[y]	10-30 VDC
L101HDC48[b][x]/[y]	48 VDC
L101HAC[b][x]/[y]	90-260 VAC

Dimensions : 86.0 x 86.0mm
 1.5mm² terminals
 Cable entry: M20 cable entry (IP65)
 Dependant on Back Box selected

[b] = Back Box Type
 Omit = L101 type M = Multi-purpose type
 A = A100 type S = Sonora type

[y] = LED colour
 R = Red A = Amber
 B = Blue W = White
 G = Green

[x] = Housing colour
 G = Grey R = Red W = White

Tel : +44 (0)2 8743 8880 Fax : +44 (0)20 8740 4200
 mail : sales@e2s.com web : www.e2s.com



3

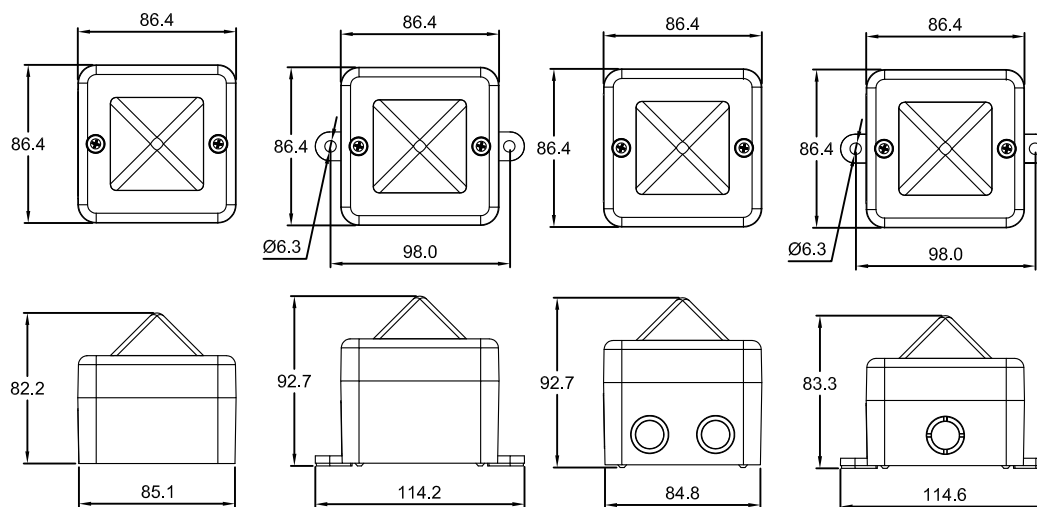
Back Box Type

L101

Multi-purpose

Sonora

A100



2



ATTENTION: Installation must be carried out by an electrician in compliance with the latest codes and regulations.



ATTENTION: Disconnect from power source before installation or service to prevent electric shock.

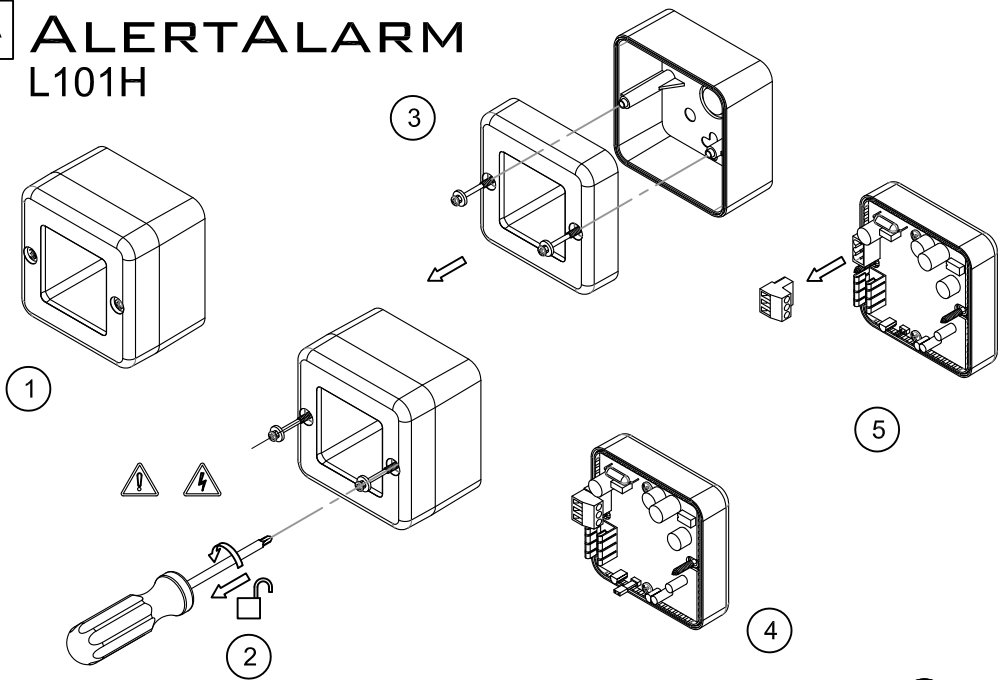


ATTENTION: Lens on unit will be hot allow to cool prior to removal.



D169-00-001-IS_SHT1_ISSUE_A

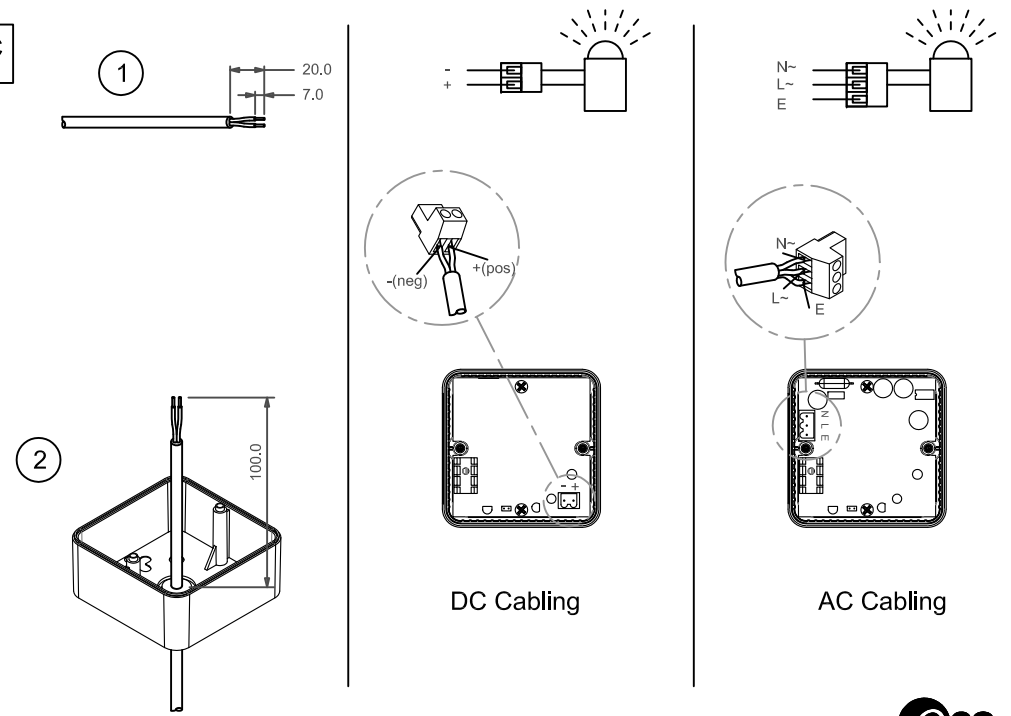
A ALERTALARM L101H



Tel: +44 (0)20 8743 8880 Fax: +44 (0)20 8740 4200
 mail: sales@e2s.com web: www.e2s.com



C

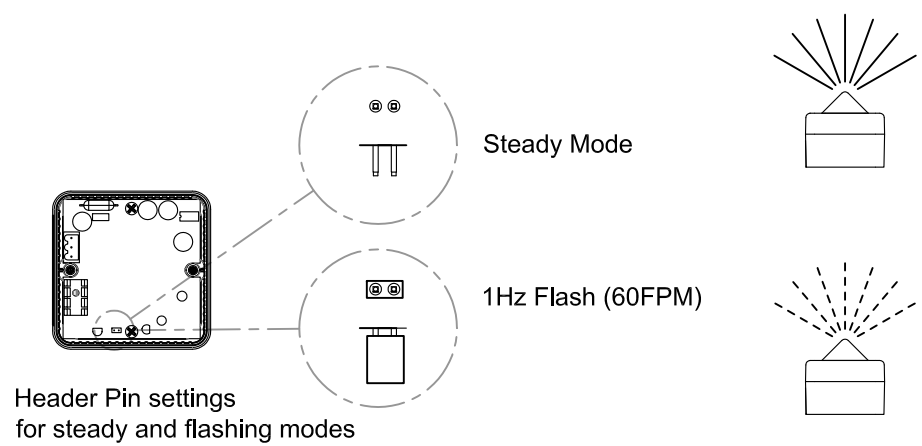


DC Cabling

AC Cabling



B



Header Pin settings for steady and flashing modes



D

