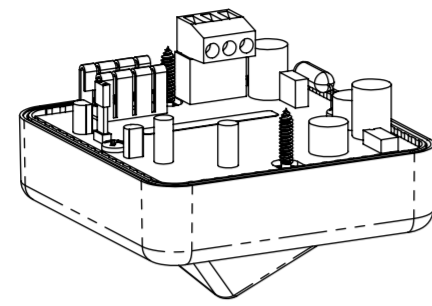


A

COMPONENT PART OF STA & STB ASSEMBLY-

PLEASE SEE FULL INSTRUCTION OF STA & STB

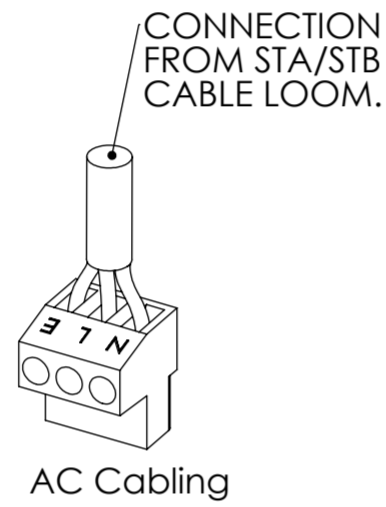
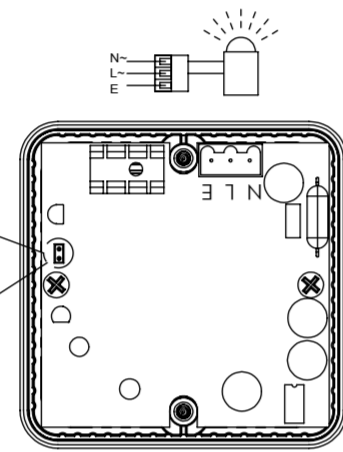
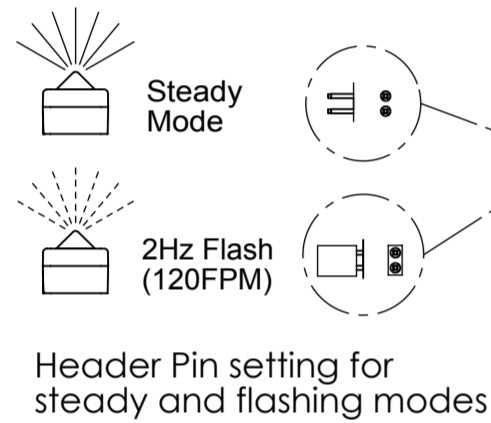


ST-L101H
LED Beacon

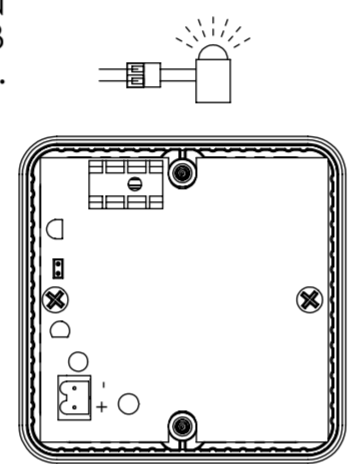
AC	DC	CABLE COLOR
EARTH	-	GREEN
LIVE	(+ tive)	BLACK
NEUTRAL	(- tive)	WHITE



3



2

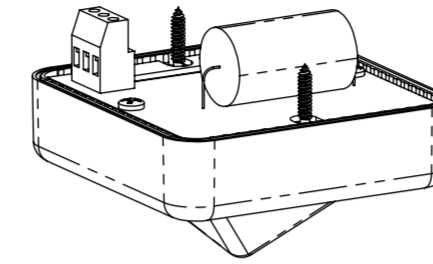


DC Cabling

Tel : +44 (0)2 8743 8880 Fax : +44 (0)20 8740 4200
mail : sales@e2s.com web : www.e2s.com

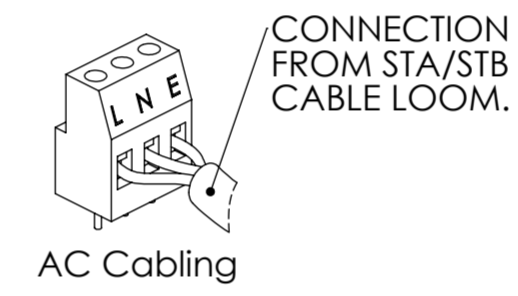
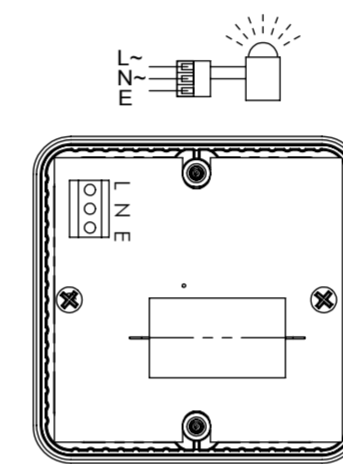
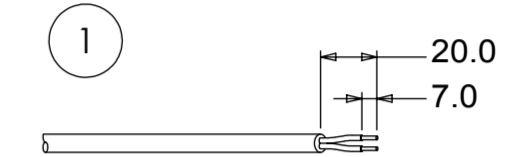


C

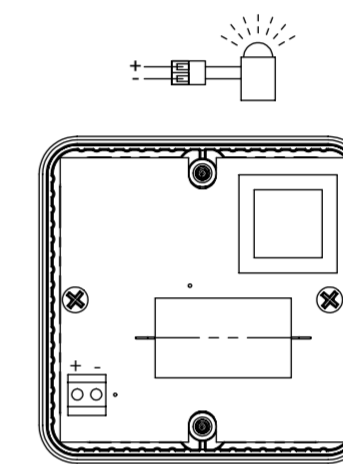


ST-L101X
Xenon Beacon

AC	DC	CABLE COLOR
EARTH	-	GREEN
LIVE	(+ tive)	BLACK
NEUTRAL	(- tive)	WHITE



2



DC Cabling

Tel : +44 (0)2 8743 8880 Fax : +44 (0)20 8740 4200
mail : sales@e2s.com web : www.e2s.com



B

Order code	Current mA	Nominal Voltage	Voltage Range
ST-L101HDC030[x]	155mA	24 V DC	(10-30V DC)
ST-L101HAC230[x]	35mA	230V AC	(90-260V AC)

- ATTENTION:** Installation must be carried out by an electrician in compliance with the latest codes and regulations.
- ATTENTION:** Disconnect from power source before installation or service to prevent electric shock.
- ATTENTION:** Lens on unit will be hot allow to cool prior to removal.

D

Order code	Current mA	Nominal Voltage	Voltage Range
ST-L101XDC012[x]	500mA	12 V DC	(10-14V)
ST-L101XDC024[x]	250mA	24 V DC	(20-28V)
ST-L101XAC115[x]	70mA	115V AC	(+/- 10%)
ST-L101XAC230[x]	35mA	230V AC	(+/- 10%)

- ATTENTION:** Installation must be carried out by an electrician in compliance with the latest codes and regulations.
- ATTENTION:** Disconnect from power source before installation or service to prevent electric shock.
- ATTENTION:** Lens on unit will be hot allow to cool prior to removal.

ATTENTION: Allow a minimum of 2 minutes for hazardous high voltage to discharge from unit.



A

STB BEACON STACK

STB2/STB3/STB4
 IP Rating: IP66
 Temp: -25°C to +55°C
 CE

Order code	Xenon Beacon Current	LED Beacon Current	Nominal Voltage	Voltage Range
STB2DC012[x]	500mA	155mA	12 V DC	(10-14V)
STB2DC024[x]	250mA	155mA	24 V DC	(20-28V)
STB2DC048[x]	175mA	127mA	48 V DC	(42-54V)
STB2AC115[x]	70mA	35mA	115V AC	(+/-10%)
STB2AC230[x]	35mA	35mA	230V AC	(+/-10%)
STB3DC012[x]	500mA	155mA	12 V DC	(10-14V)
STB3DC024[x]	250mA	155mA	24 V DC	(20-28V)
STB2DC048[x]	175mA	127mA	48 V DC	(42-54V)
STB3AC115[x]	70mA	35mA	115V AC	(+/-10%)
STB3AC230[x]	35mA	35mA	230V AC	(+/-10%)
STB4DC012[x]	500mA	155mA	12 V DC	(10-14V)
STB4DC024[x]	250mA	155mA	24 V DC	(20-28V)
STB2DC048[x]	175mA	127mA	48 V DC	(42-54V)
STB4AC115[x]	70mA	35mA	115V AC	(+/-10%)
STB4AC230[x]	35mA	35mA	230V AC	(+/-10%)

Mountings
 Multiple mounting lugs with holes suitable for up to M6 fixings.

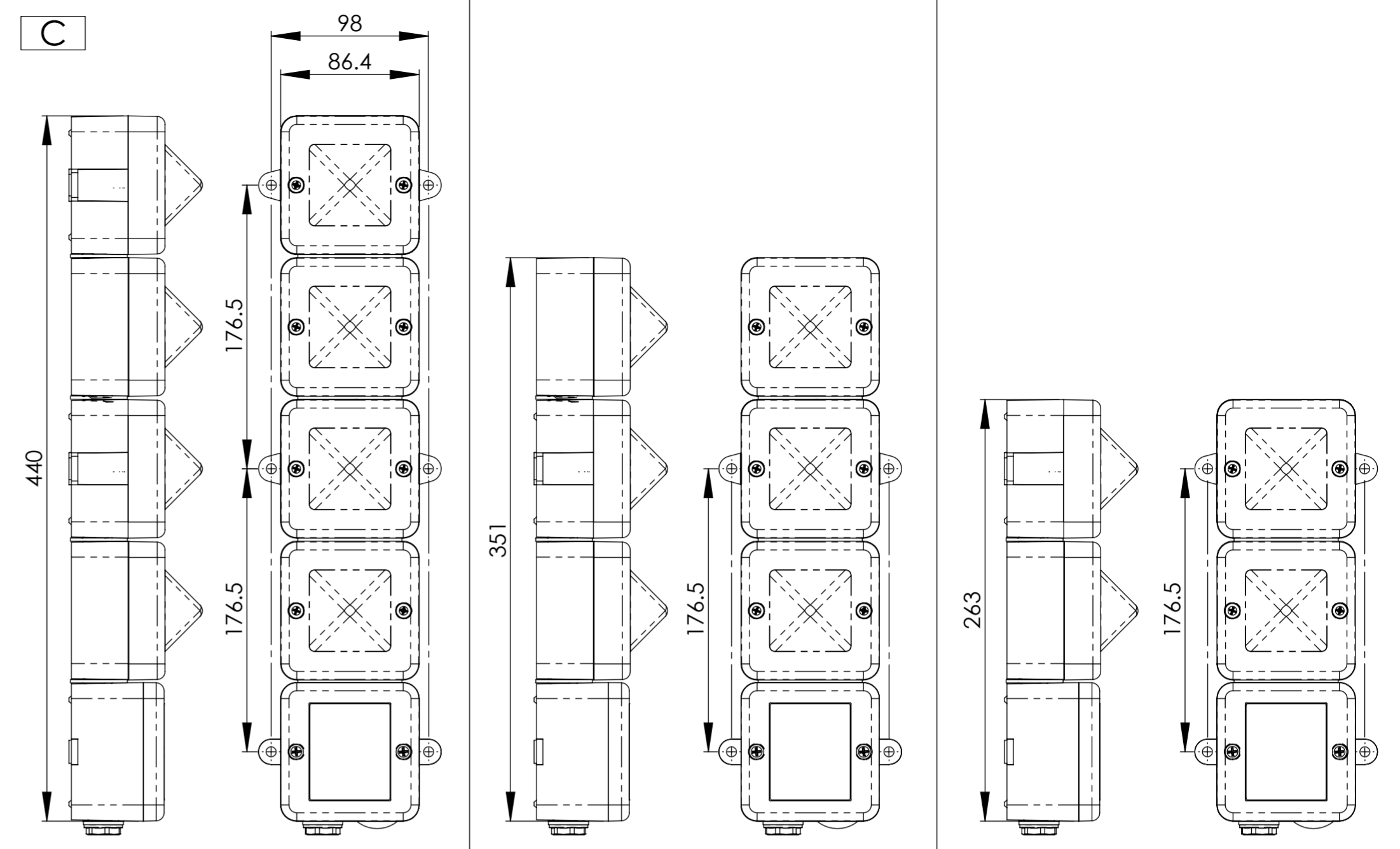
2.5mm² terminals
 Cable entry:M20 cable entry (IP66)

x = Housing colour
 R = Red
 G = Grey
 W = White

Tel : +44 (0)2 8743 8880 Fax : +44 (0)20 8740 4200
 mail : sales@e2s.com web : www.e2s.com



C



STB4 with 4 Beacons fitted.

STB3 with 3 Beacons fitted.

STB2 with 2 Beacons fitted.

B

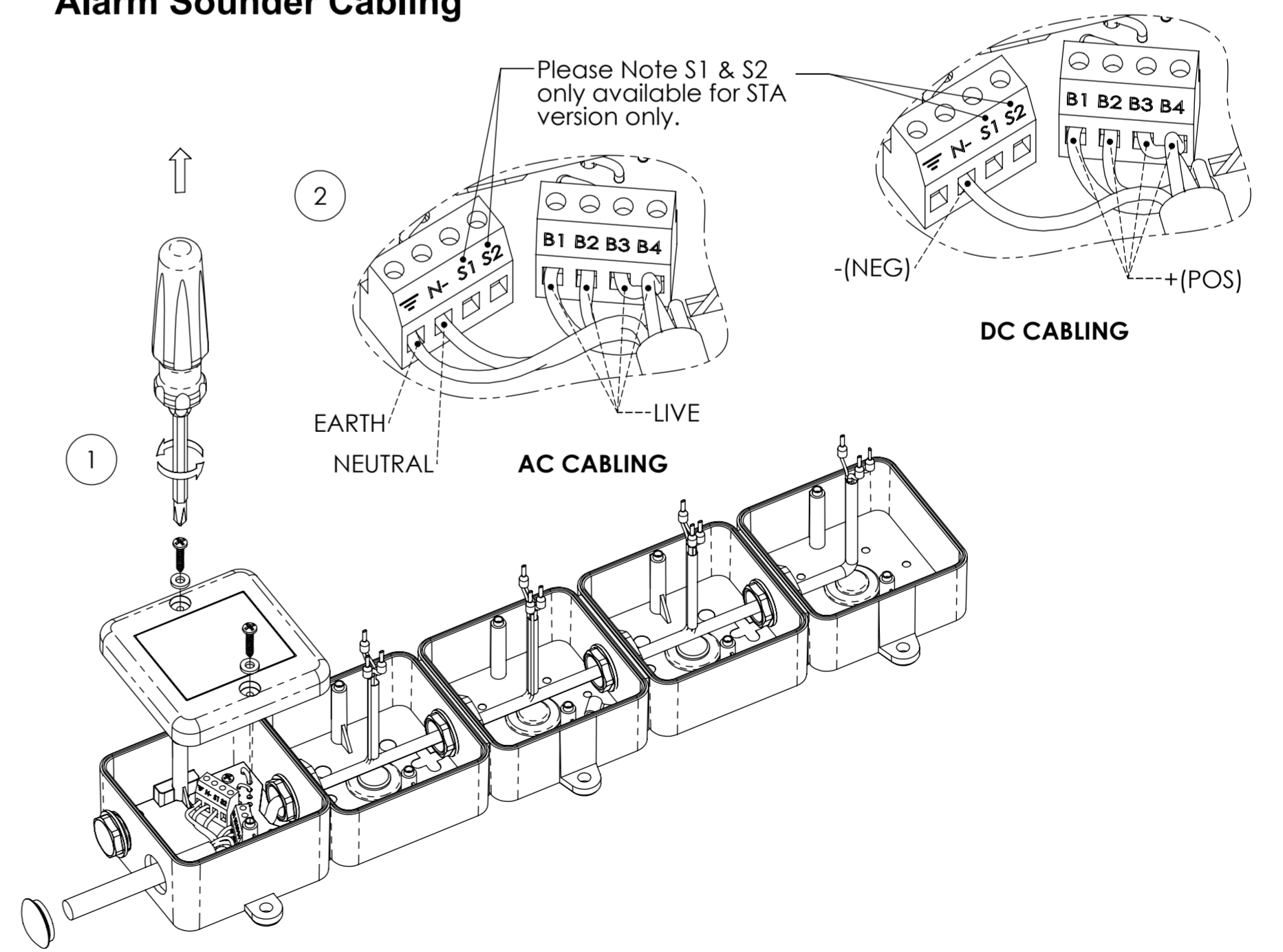
- ATTENTION:** Installation must be carried out by an electrician in compliance with the latest codes and regulations.
- ATTENTION:** Disconnect from power source before installation or service to prevent electric shock.
- ATTENTION:** On strobe beacons allow a minimum of 2 minutes for hazardous high voltage to discharge from unit.
- ATTENTION:** Lens on unit will be hot allow to cool prior to removal.

Tel : +44 (0)2 8743 8880 Fax : +44 (0)20 8740 4200
 mail : sales@e2s.com web : www.e2s.com



D

Alarm Sounder Cabling

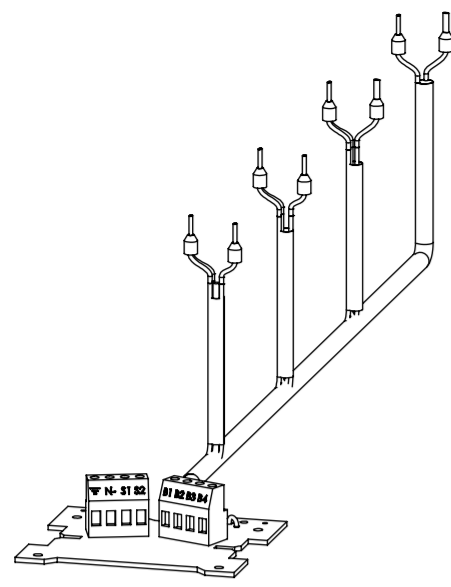


Tel : +44 (0)2 8743 8880 Fax : +44 (0)20 8740 4200
 mail : sales@e2s.com web : www.e2s.com

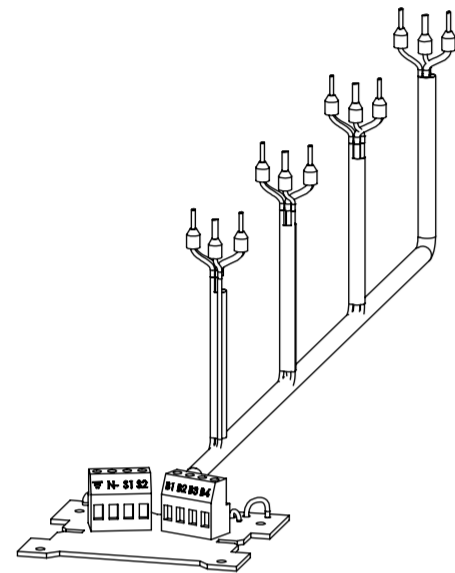
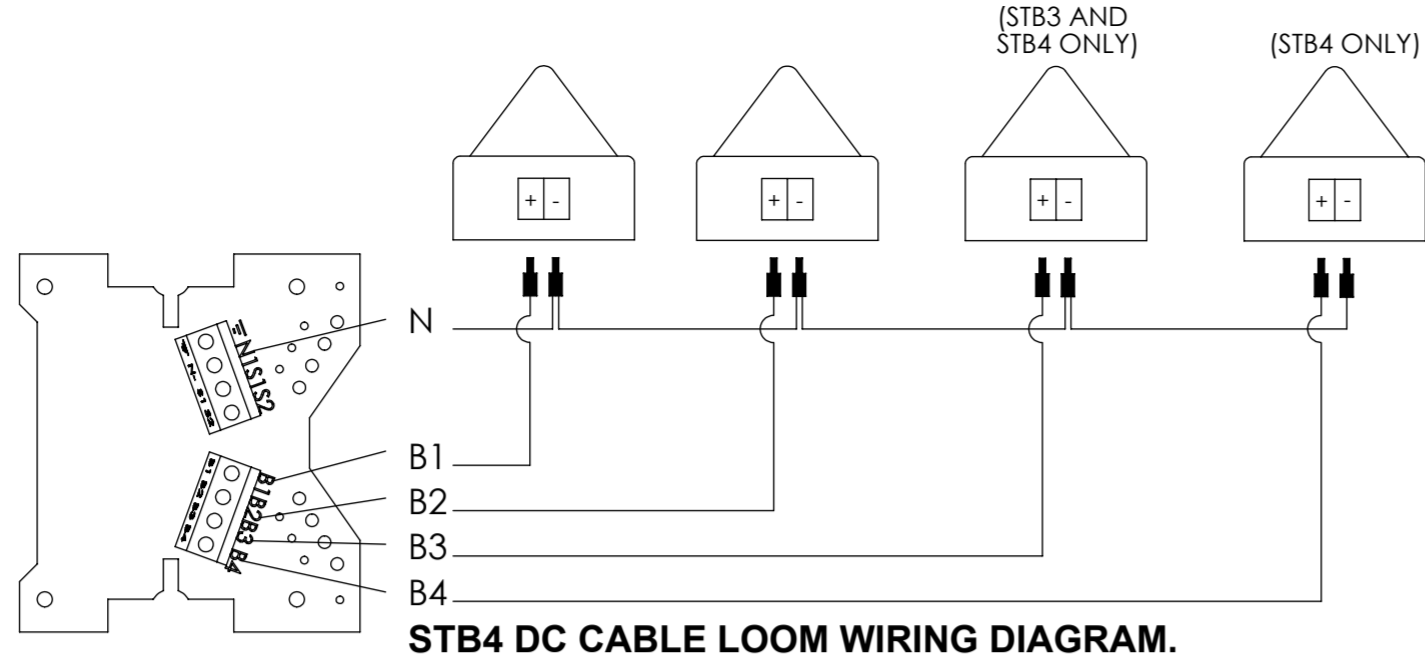


D171-00-501-IS_SHT1_ISSUE_1

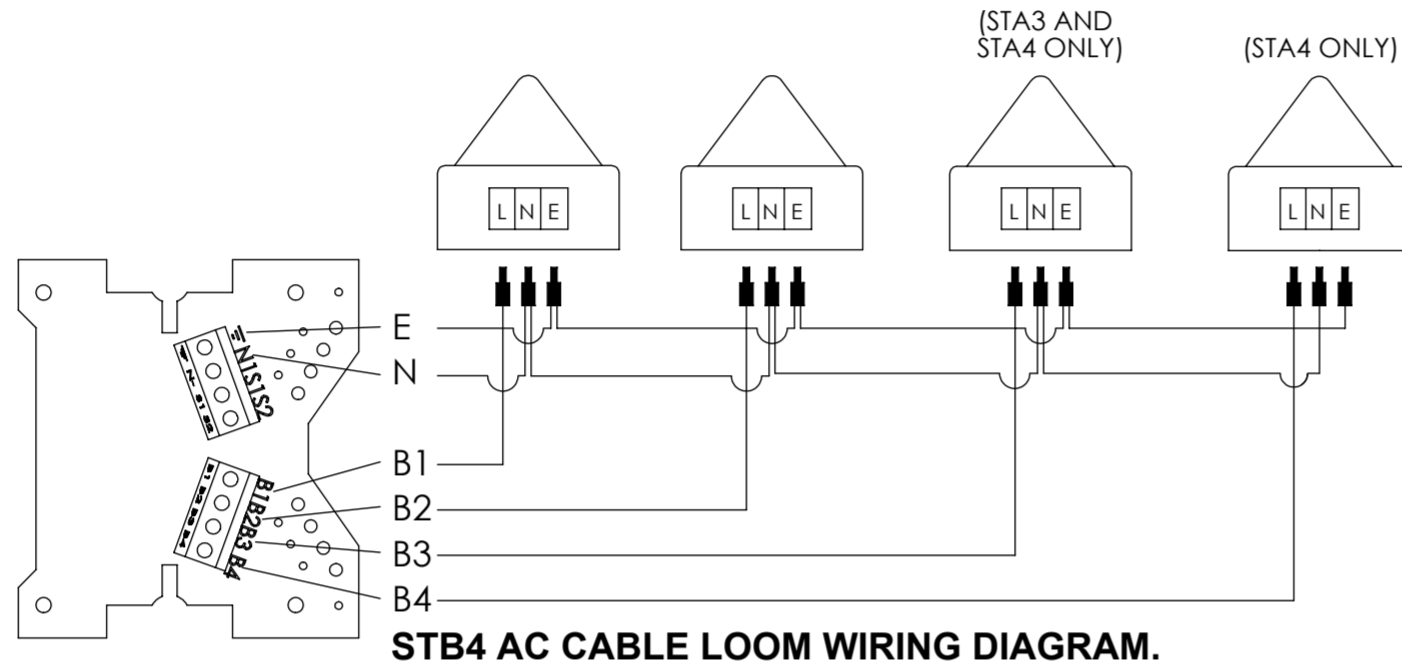
E



STB DC CABLE LOOM PRE-INSTALLED.



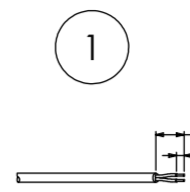
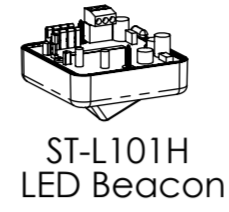
STB AC CABLE LOOM PRE-INSTALLED.



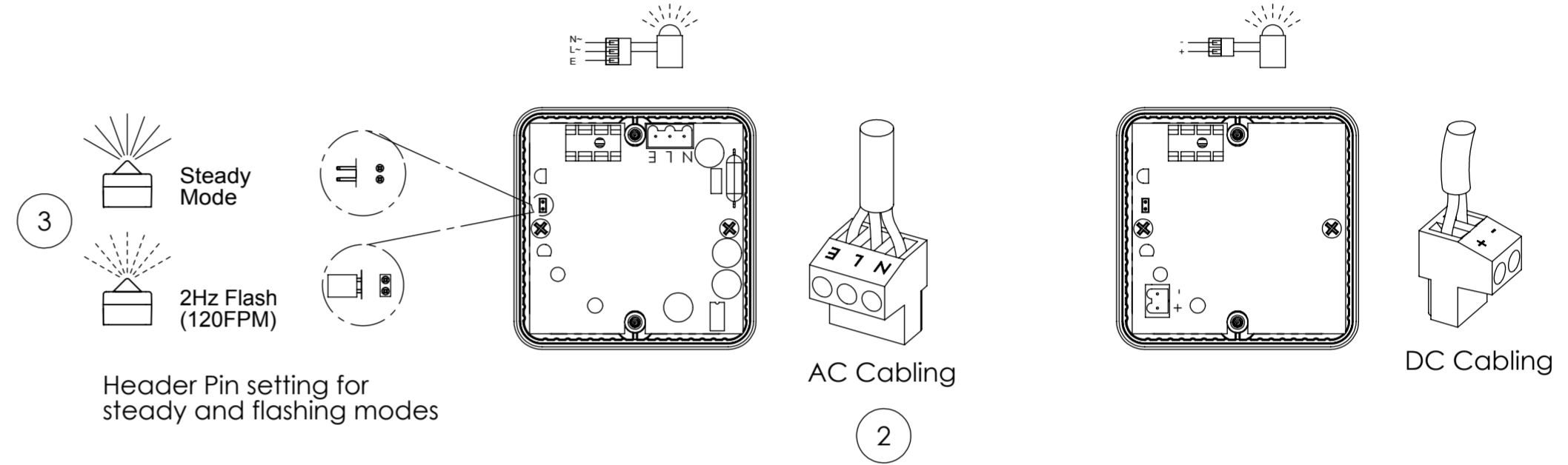
Tel : +44 (0)2 8743 8880 Fax : +44 (0)20 8740 4200
 mail : sales@e2s.com web : www.e2s.com



G



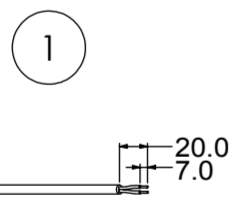
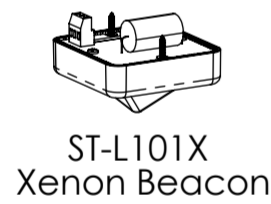
AC	DC	CABLE COLOR
EARTH	-	GREEN
LIVE	(+ tive)	BLACK
NEUTRAL	(- tive)	WHITE



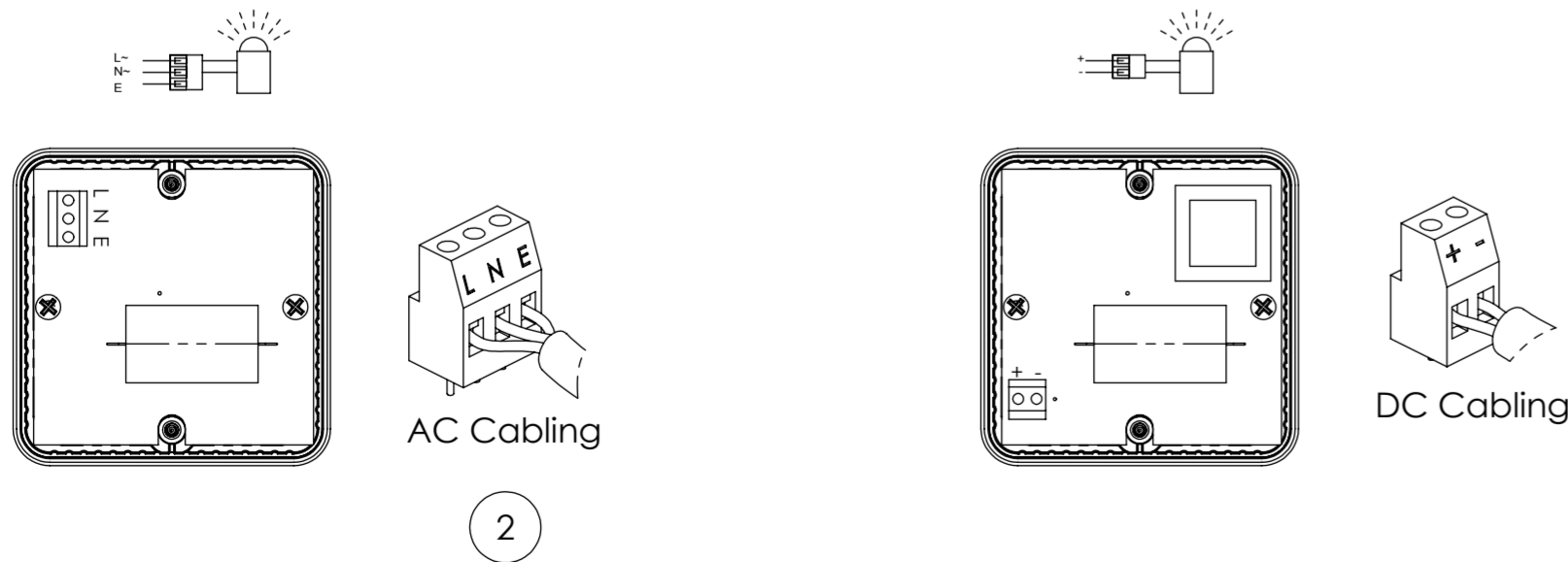
Tel : +44 (0)2 8743 8880 Fax : +44 (0)20 8740 4200
 mail : sales@e2s.com web : www.e2s.com



F



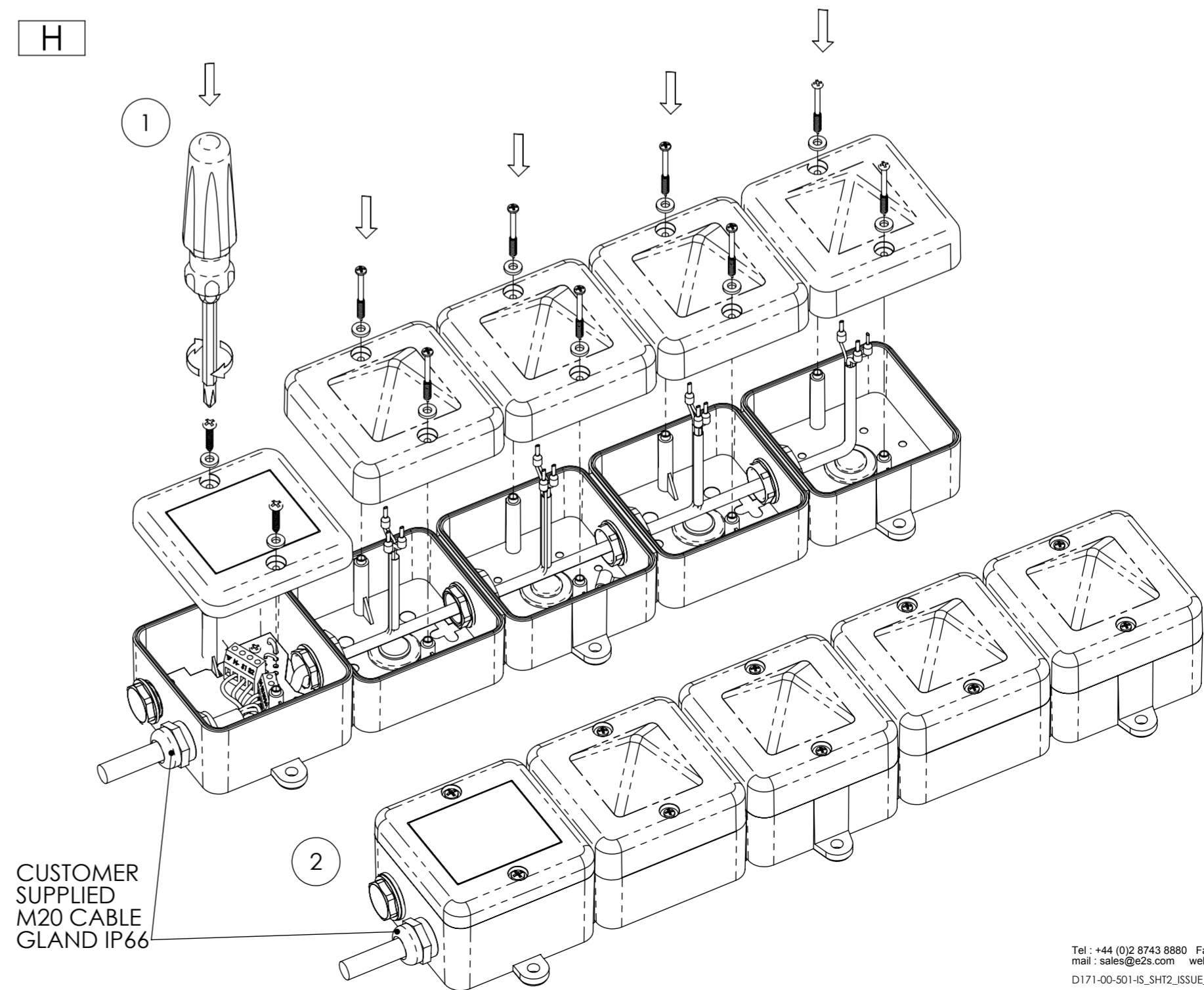
AC	DC	CABLE COLOR
EARTH	-	GREEN
LIVE	(+ tive)	BLACK
NEUTRAL	(- tive)	WHITE



Tel : +44 (0)2 8743 8880 Fax : +44 (0)20 8740 4200
 mail : sales@e2s.com web : www.e2s.com



H



Tel : +44 (0)2 8743 8880 Fax : +44 (0)20 8740 4200
 mail : sales@e2s.com web : www.e2s.com



D171-00-501-IS_SHT2_ISSUE_1

A

STA BEACON STACK WITH ALARM SOUNDER

STA2/STA3/STA4
 IP Rating: IP66
 Temp: -25°C to +55°C
 CE

Mountings
 Multiple mounting lugs with holes
 suitable for up to M6 fixings.

2.5mm² terminals
 Cable entry: M20 cable entry
 (IP66)

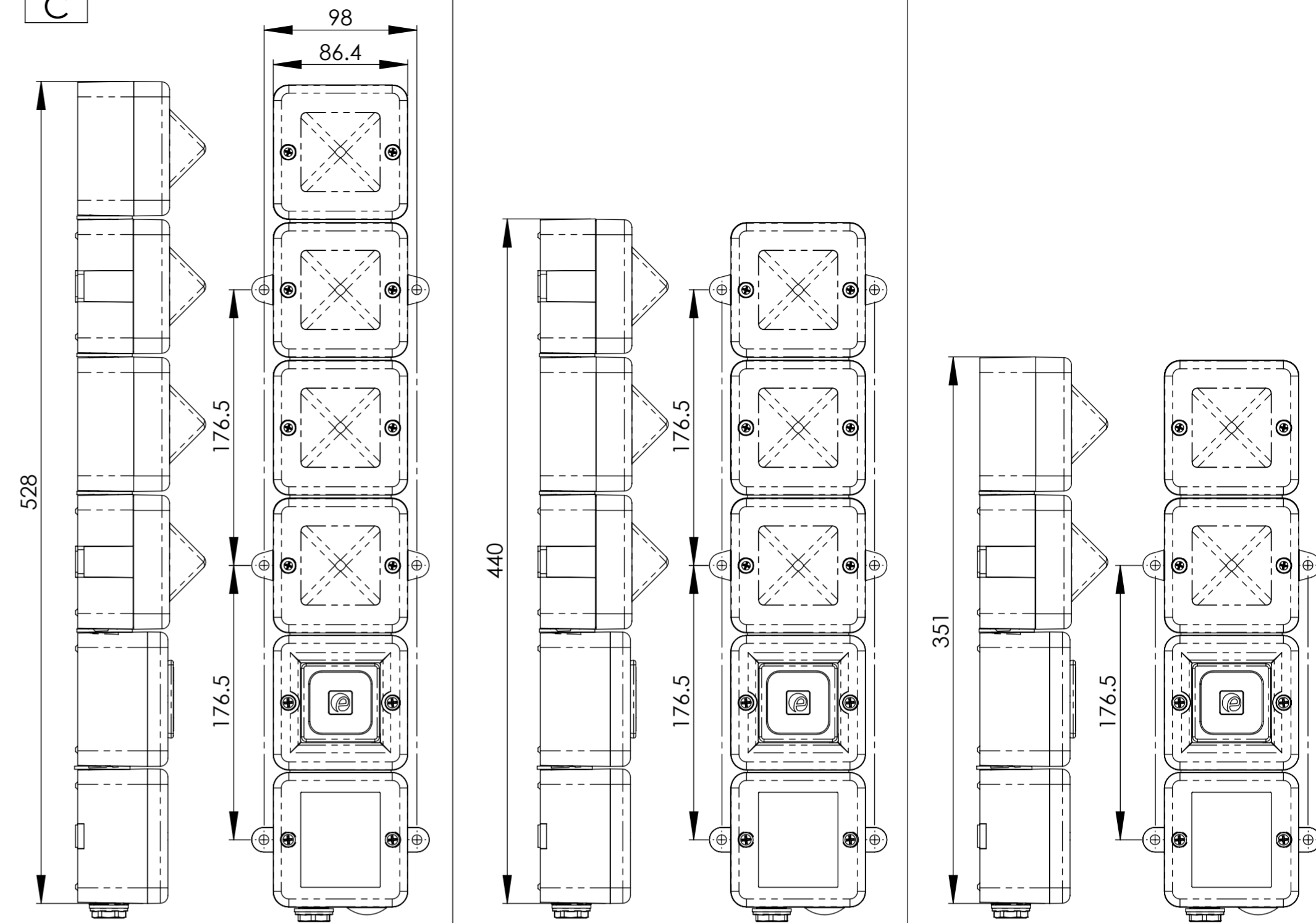
x = Housing colour
 R = Red
 G = Grey
 W = White

Order code	Xenon Beacon Current	LED Beacon Current	Alarm Sounder Current	Nominal Voltage	Voltage Range
STA2DC012[x]	500mA	155mA	25mA	12 V DC	(10-14V)
STA2DC024[x]	250mA	155mA	25mA	24 V DC	(20-28V)
STA2AC115[x]	70mA	35mA	13mA	115V AC	(+/- 10%)
STA2AC230[x]	35mA	35mA	13mA	230V AC	(+/- 10%)
STA3DC012[x]	500mA	155mA	25mA	12 V DC	(10-14V)
STA3DC024[x]	250mA	155mA	25mA	24 V DC	(20-28V)
STA3AC115[x]	70mA	35mA	13mA	115V AC	(+/- 10%)
STA3AC230[x]	35mA	35mA	13mA	230V AC	(+/- 10%)
STA4DC012[x]	500mA	155mA	25mA	12 V DC	(10-14V)
STA4DC024[x]	250mA	155mA	25mA	24 V DC	(20-28V)
STA4AC115[x]	70mA	35mA	13mA	115V AC	(+/- 10%)
STA4AC230[x]	35mA	35mA	13mA	230V AC	(+/- 10%)

Tel: +44 (0)2 8743 8880 Fax: +44 (0)20 8740 4200
 mail: sales@e2s.com web: www.e2s.com



C



STA4 with Sounder and 4 Beacons fitted.

STA3 with Sounder and 3 Beacons fitted.

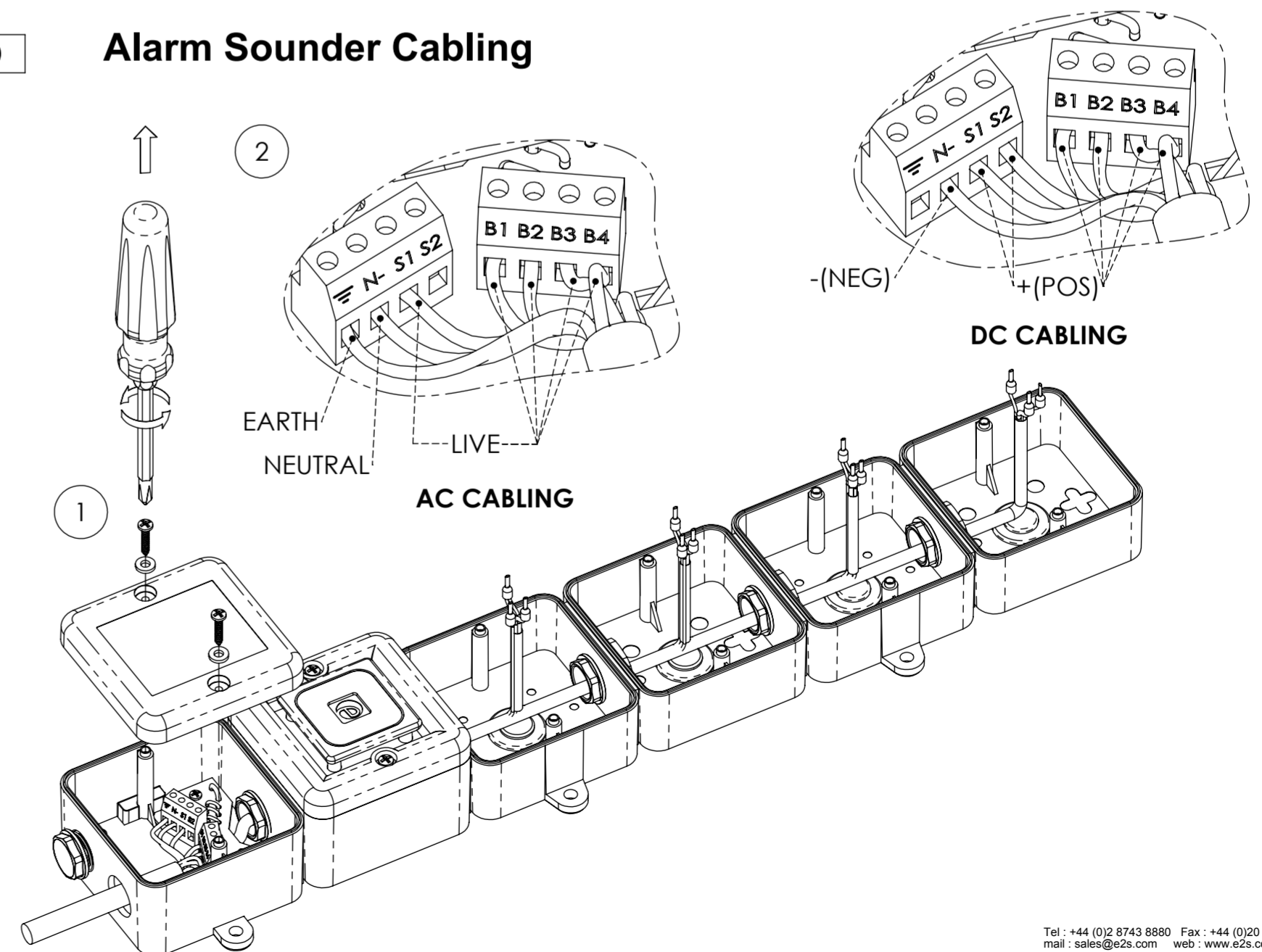
STA2 with Sounder and 2 Beacons fitted.

B

- ATTENTION:** Installation must be carried out by an electrician in compliance with the latest codes and regulations.
- ATTENTION:** Disconnect from power source before installation or service to prevent electric shock.
- ATTENTION:** On strobe beacons allow a minimum of 2 minutes for hazardous high voltage to discharge from unit.
- ATTENTION:** Lens on unit will be hot allow to cool prior to removal.
- ATTENTION:** Please check factory settings and ensure the correct alarm tone is selected for your country or application.

D

Alarm Sounder Cabling



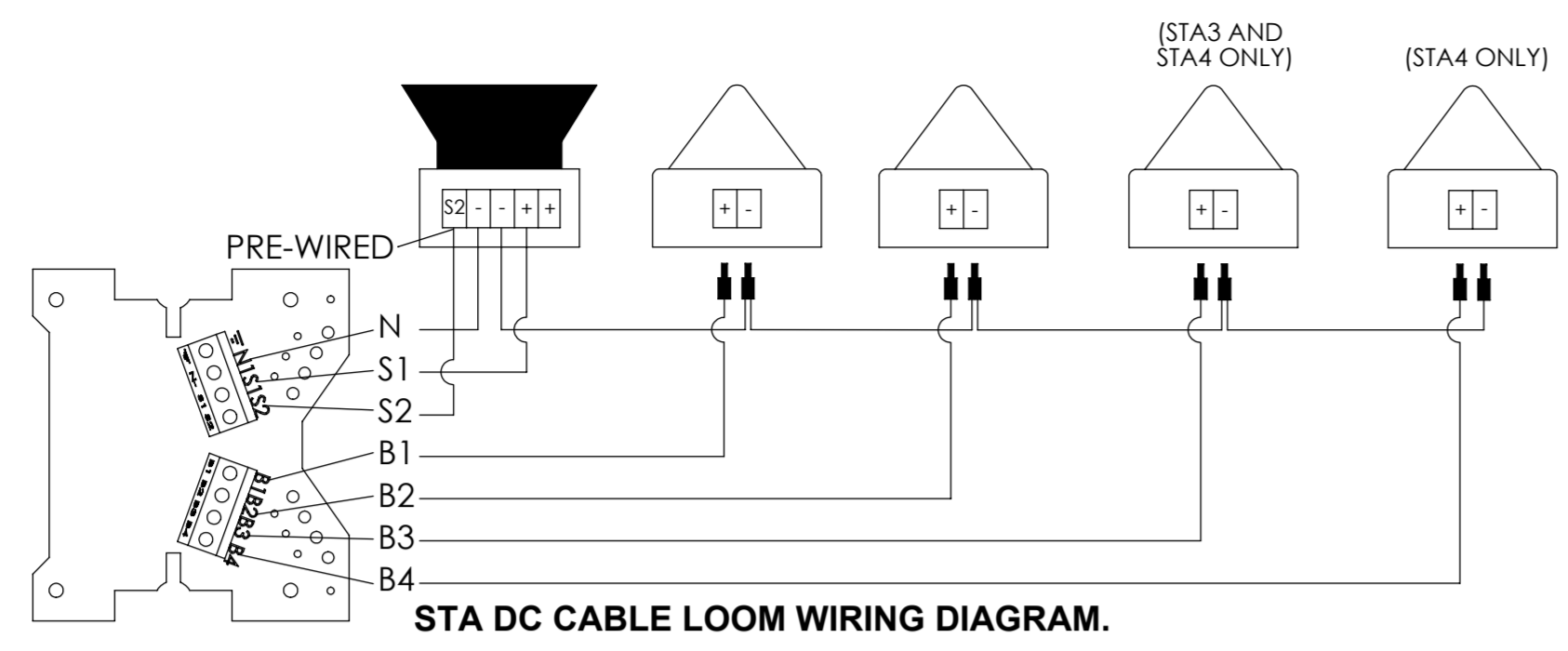
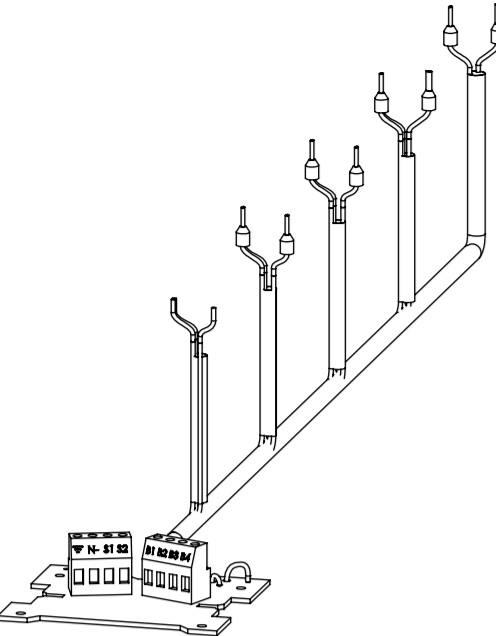
Tel: +44 (0)2 8743 8880 Fax: +44 (0)20 8740 4200
 mail: sales@e2s.com web: www.e2s.com



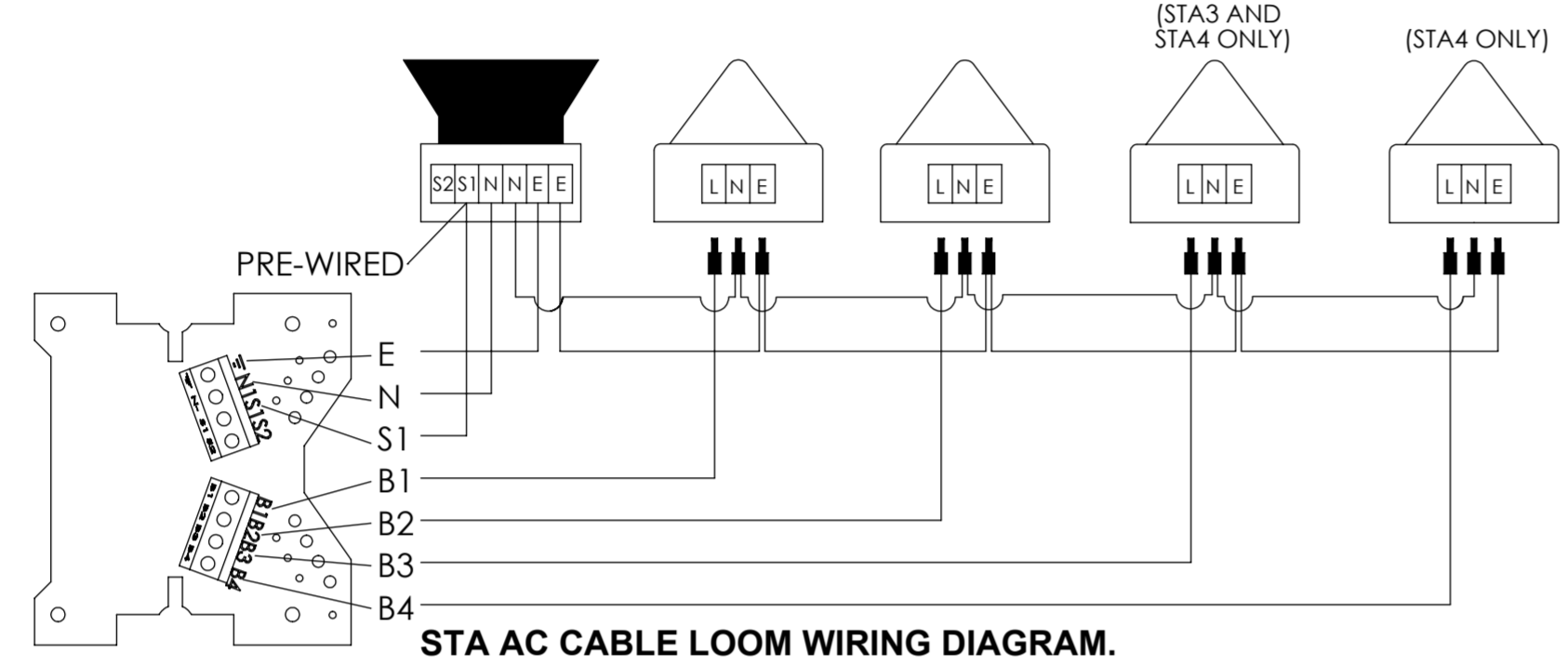
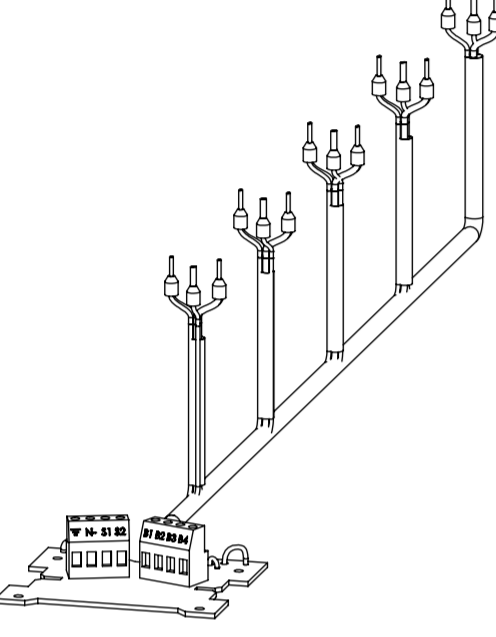
Tel: +44 (0)2 8743 8880 Fax: +44 (0)20 8740 4200
 mail: sales@e2s.com web: www.e2s.com
 D171-00-001-IS_SHT1_ISSUE_1



E



STA DC CABLE LOOM PRE-INSTALLED.



STA AC CABLE LOOM PRE-INSTALLED.

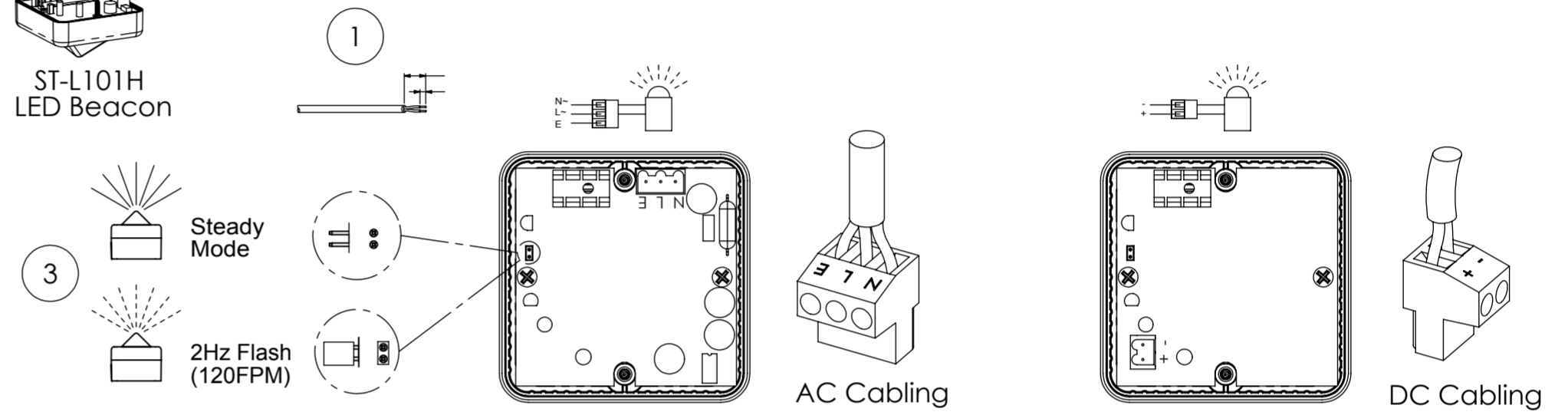
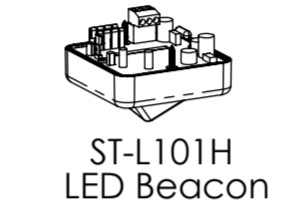
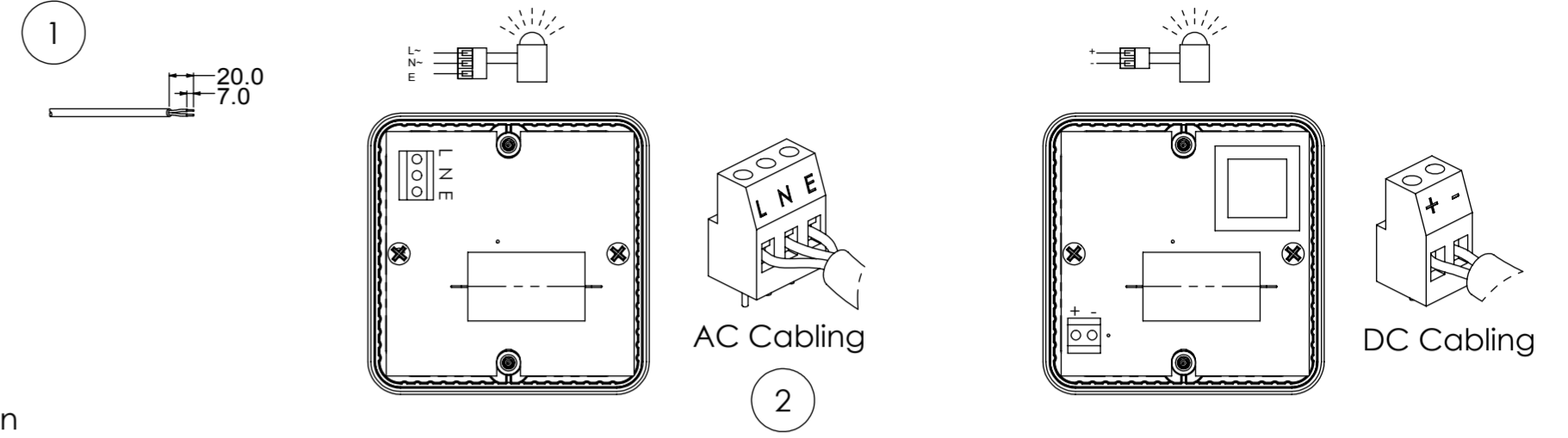
Tel: +44 (0)2 8743 8880 Fax: +44 (0)20 8740 4200
 mail: sales@e2s.com web: www.e2s.com



G



AC	DC	CABLE COLOR
EARTH	-	GREEN
LIVE	(+ tive)	BLACK
NEUTRAL	(- tive)	WHITE

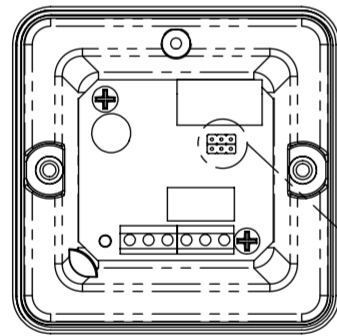
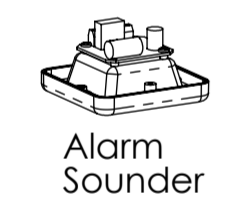


Header Pin setting for steady and flashing modes

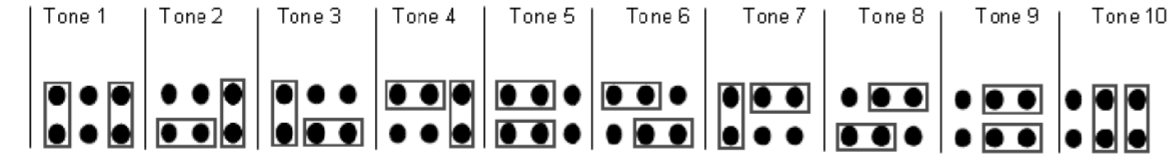
Tel: +44 (0)2 8743 8880 Fax: +44 (0)20 8740 4200
 mail: sales@e2s.com web: www.e2s.com



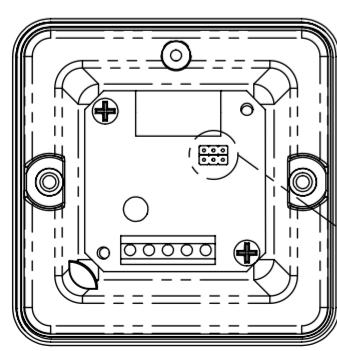
F



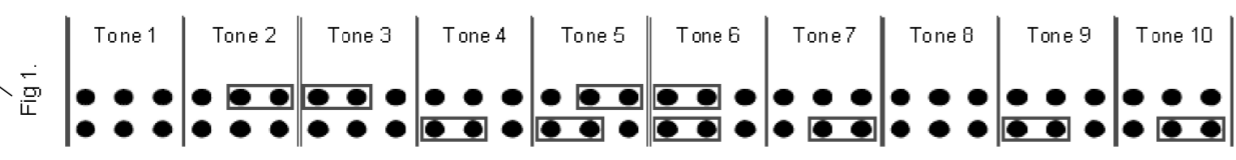
Stage1 tone	Frequency Description	SONF1 AC dB@ 1m
Tone 1	800/1000Hz @ 0.25 sec Alternating	99dB(A) @ 1m
Tone 2	500/1200Hz @ 0.3Hz 0.5 sec Slow Whoop	100dB(A) @ 1m
Tone 3	1200/500Hz @ 1Hz - DIN / PFEER P.T.A.P.	99dB(A) @ 1m
Tone 4	544Hz (100mS)/440Hz (400mS) - NF S32-001	97E(A) @ 1m
Tone 5	1000Hz Continuous - PFEER Toxic Gas	100dB(A) @ 1m
Tone 6	Bell	95dB(A) @ 1m
Tone 7	800/1000Hz @ 7Hz Sweeping	99dB(A) @ 1m
Tone 8	2400/2900Hz @ 50Hz Sweeping	100dB(A) @ 1m
Tone 9	420Hz @ 0.625 sec Australian Alert	97dB(A) @ 1m
Tone 10	500-1200Hz 3.75sec / 0.25sec Australian Evac.	100dB(A) @ 1m



NOTE: Tone Selection : to select a tone place the pin link in the position show above Fig.1



Stage1 tone	Frequency Description	SONF1 dB@ 1m	Stage2 (S2)
Tone 1	800/1000Hz @ 0.25 sec Alternating	99dB(A) @ 1m	Tone 8
Tone 2	500/1200Hz @ 0.3Hz 0.5 sec Slow Whoop	100dB(A) @ 1m	Tone 1
Tone 3	1200/500Hz @ 1Hz - DIN / PFEER P.T.A.P.	99dB(A) @ 1m	Tone 8
Tone 4	544Hz (100mS)/440Hz (400mS) - NF S32-001	97dB(A) @ 1m	Tone 9
Tone 5	Bell	95dB(A) @ 1m	Tone 1
Tone 6	800/1000Hz @ 7Hz Sweeping	99dB(A) @ 1m	Tone 8
Tone 7	500-1200Hz 3.75sec / 0.25sec Australian Evac.	100dB(A) @ 1m	Tone 10
Tone 8	1000Hz Continuous - PFEER Toxic Gas	100dB(A) @ 1m	-
Tone 9	544Hz Continuous	97dB(A) @ 1m	-
Tone 10	420Hz @ 0.625 sec Australian Alert	97dB(A) @ 1m	-

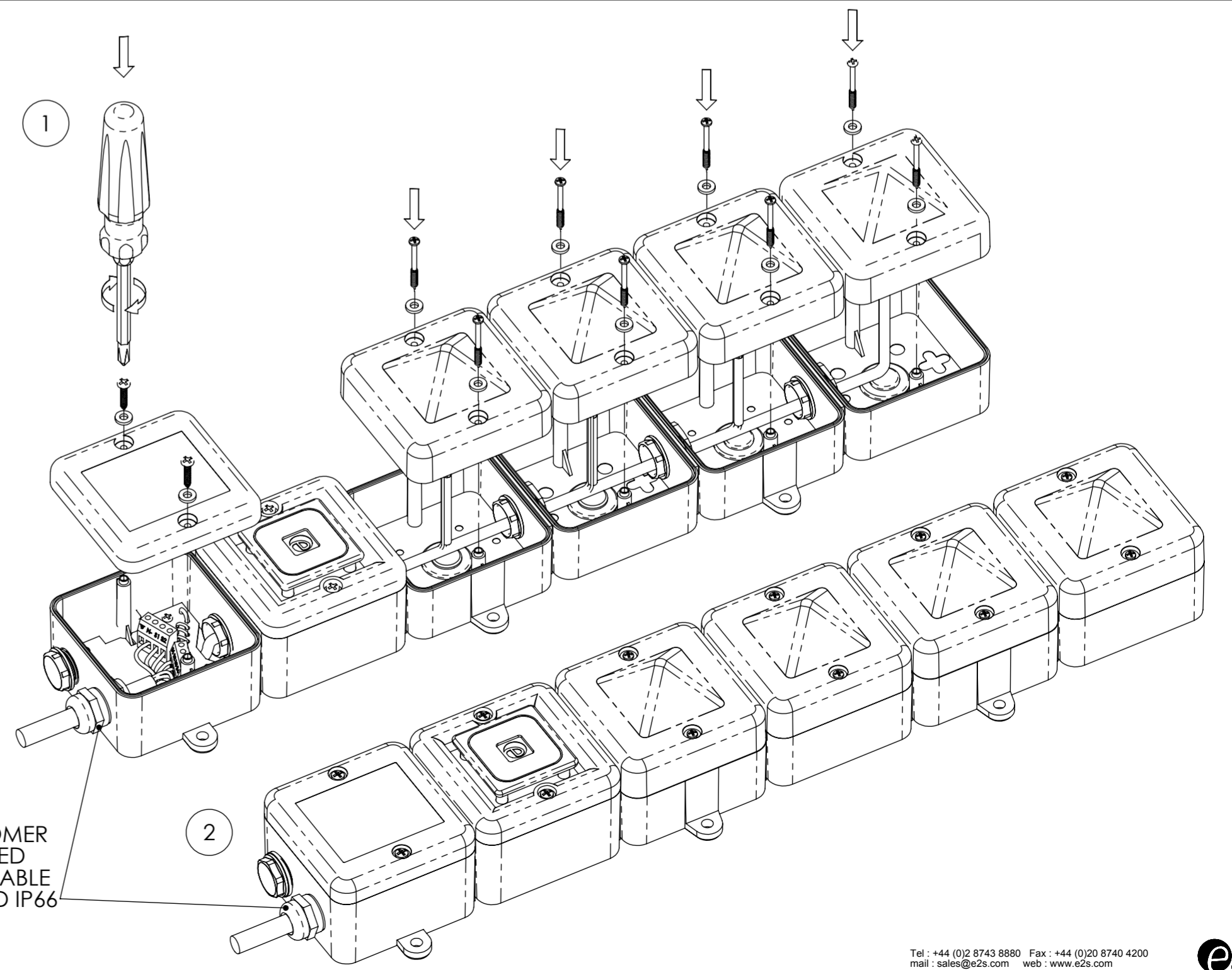


NOTE: Tone Selection : to select a tone place the pin link in the position show above (Fig.1). To set Tones 8, 9 or 10 as a first stage connect terminal 'S2' to '-' terminal.

Tel: +44 (0)2 8743 8880 Fax: +44 (0)20 8740 4200
 mail: sales@e2s.com web: www.e2s.com



H



Tel: +44 (0)2 8743 8880 Fax: +44 (0)20 8740 4200
 mail: sales@e2s.com web: www.e2s.com

