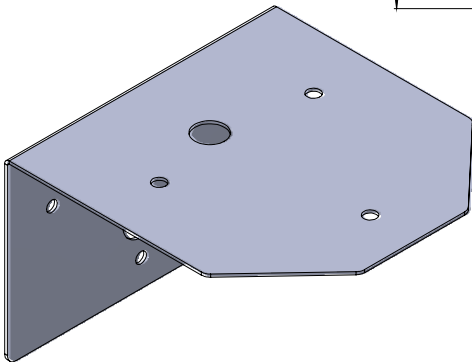
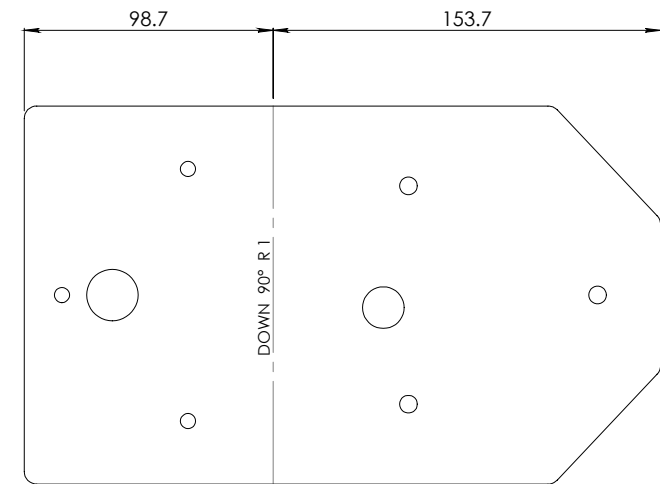
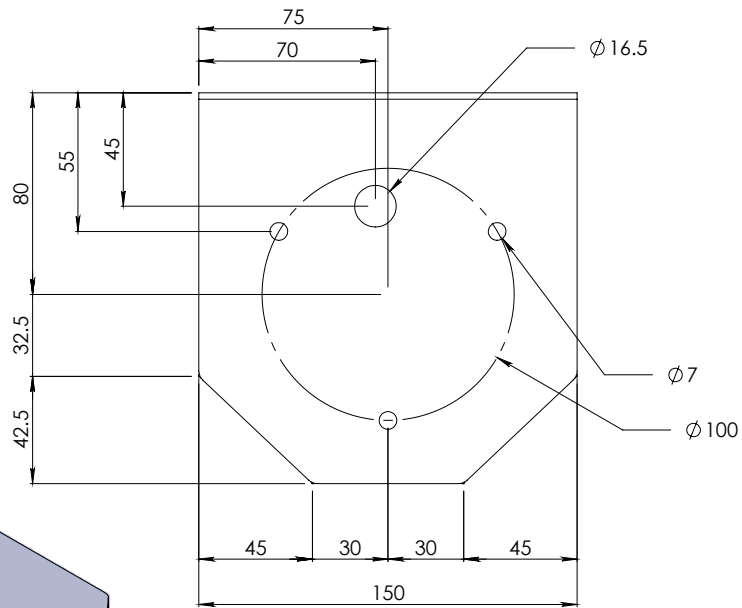
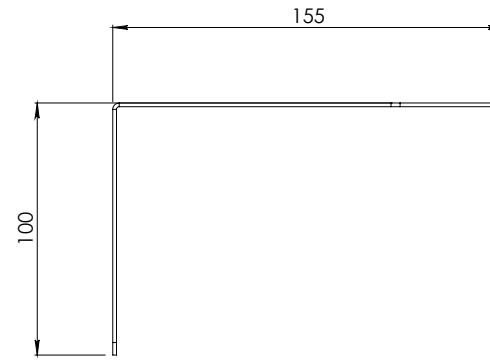
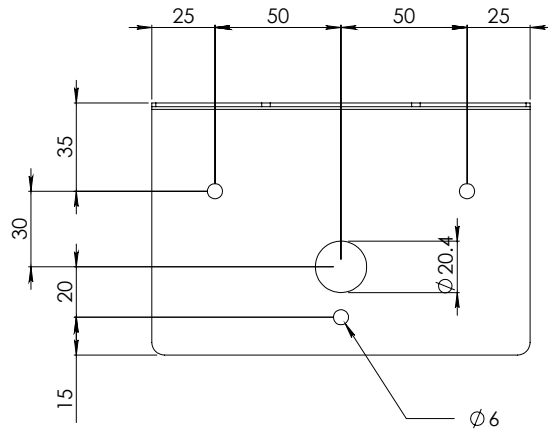



This drawing is the sole property of Platech AS. It must not be submitted to other parties nor used in any manner detrimental to our interests. It shall not be copied, reproduced, used for manufacturing or sale without the written consent of Platech AS. All rights are reserved.



REVISIONS			
REV.	DESCRIPTION	DATE	APPROVED
UNLESS OTHERWISE SPECIFIED, TOLERANCE: NS-ISO 2768-1 m		DEBUR AND BREAK SHARP EDGES	DO NOT SCALE DRAWING Dimensions are in Millimeters
NAME		DATE	Matrise: Kniv:
DRAWN	Kim Bjørnfelt	04.08.2020	
		Marin Sply TITLE: Wall fixing bracket	
SURFACE: Sort - Pulverlakk		DWG NO. P5542	
MATERIAL: Kaldvals 1,5mm		REVISION	
SCALE:1:3		A4	SHEET 1 OF 1