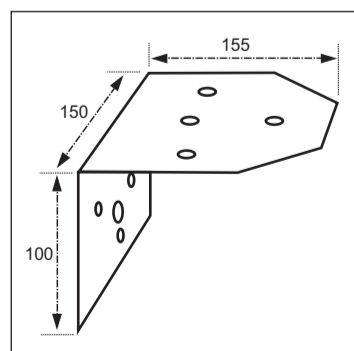
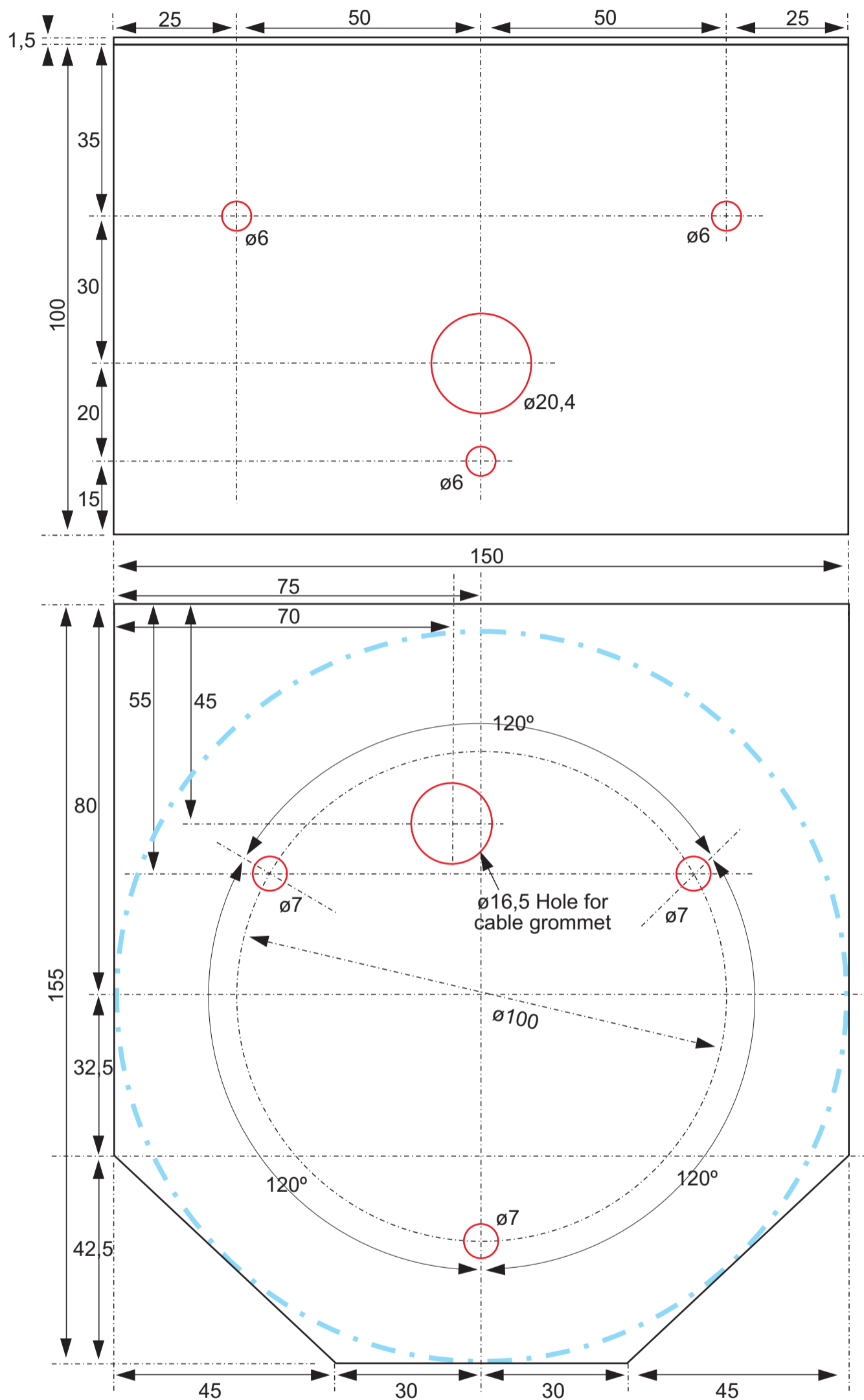


# EHSWB - Drawing of Wall Bracket for Rotating Mirror Beacon type EHS - Rev.2.1



--- : Foot print og rubber gasket on Rotating Mirror Beacon

Specification: 1,5mm Mild Steel Sheet Wall Bracket  
 Black Powder Coat Painted Finnish  
 Holes: ø6 x 3, ø20,4 x 1, ø16,5 x 1, ø7 x 3